

DUO series Manual Motor Starters Enclosures

Enclosures

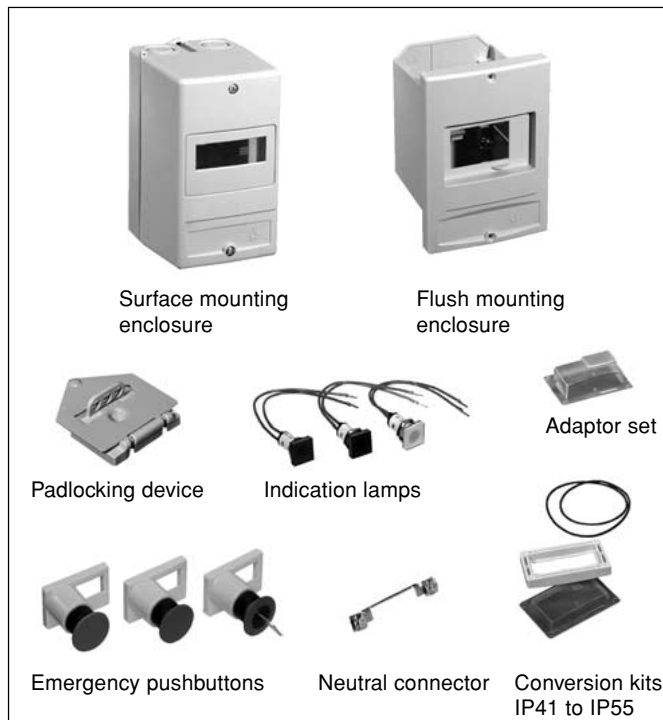
■ Features

- Accommodates a variety of manual motor starters (BM3RSB-P16 to 025). Put the manual motor starter inside an enclosure for use in harsh environments. Surface mounting and flush mounting types available.
- IP41 and IP55 enclosure protection degree available
- Manual motor starters (BM3RSB-P16 to 025) equipped with internal accessories and the following external accessories can be used inside an enclosure.
 Left side: One auxiliary contact block or one auxiliary/ alarm contact block
 Right side: One shunt trip device or one undervoltage trip device
- A wide variety of enclosure accessories are available. Padlocking device, emergency mushroom pushbutton, conversion kit, and indicator lamps

■ Types and ratings

Enclosures for BM3RSB-P16 to 025

Mounting	Specification	Type	Mass (g)
Surface	IP41	BZ0CSLA	320
	IP55 (with conversion kit)	BZ0CSLB	340
Flush	IP41	BZ0CFLA	240
	IP55 (with conversion kit)	BZ0CFLB	260

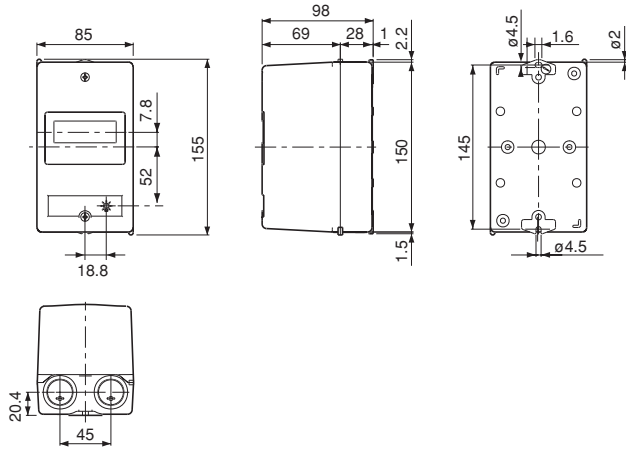


Accessories for enclosures

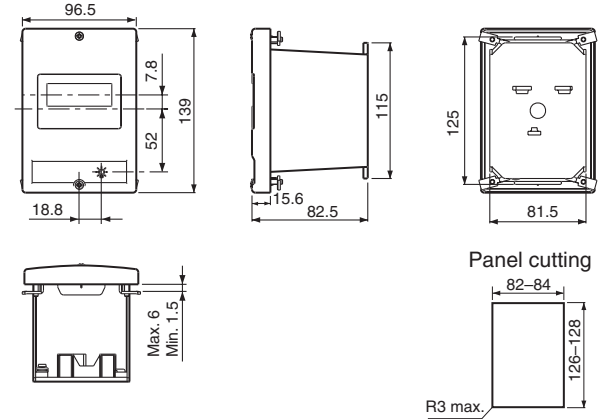
Description	Specification	Type	Mass (g)
Padlocking device	OFF locking possible using up to three padlocks with a 5 to 8mm shackle diameter.	BZ0CKA	90
Emergency stop pushbutton	Momentary Push-lock turn reset Key operated	BZ0CPM	55
		BZ0CPL	55
		BZ0CPK	90
Conversion kit	Converts IP41 to IP55	BZ0CCA	25
Adaptor set	For BM3RS + undervoltage trip device with auxiliary contact.	BZ0CUA	20
Neutral connector	Used inside the enclosure for neutral and ground connection.	BZ0CNA	10
Indication lamp	Green, 100–120V AC Green, 200–240V AC Green, 380–440V AC Green, 480–500V AC Green, 500–600V AC Red, 100–120V AC Red, 200–240V AC Red, 380–440V AC Red, 480–500V AC Red, 500–600V AC White, 100–120V AC White, 200–240V AC White, 380–440V AC White, 480–500V AC White, 500–600V AC	BZ0CLGA	15
		BZ0CLGB	15
		BZ0CLGC	15
		BZ0CLGD	15
		BZ0CLGE	15
		BZ0CLRA	15
		BZ0CLRB	15
		BZ0CLRC	15
		BZ0CLRD	15
		BZ0CLRE	15
		BZ0CLCA	15
		BZ0CLCB	15
		BZ0CLCC	15
		BZ0CLCD	15
		BZ0CLCE	15

Notes: • The padlocking device cannot be used together with the emergency stop pushbutton or undervoltage trip device with early make contact Re.
 • The emergency stop pushbutton cannot be used together with the undervoltage trip device with early make contact Re.

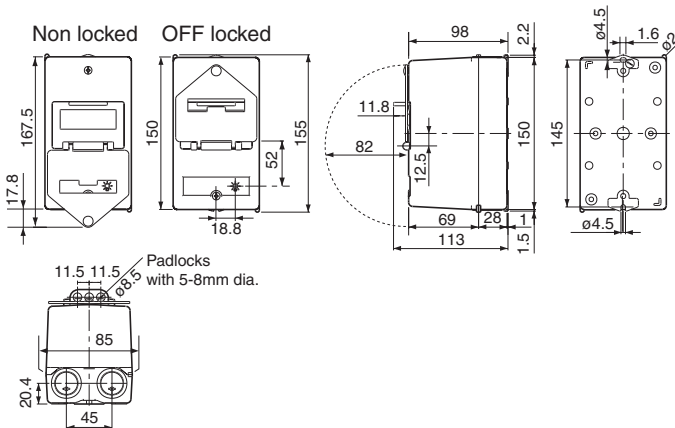
■ Dimensions, mm
• Surface mounting
For without accessory



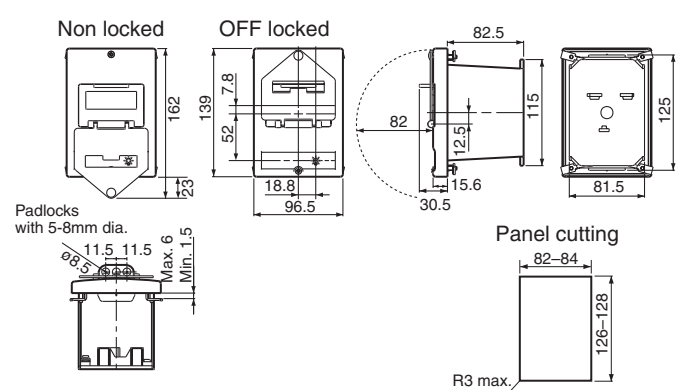
• Flush mounting
For without accessory



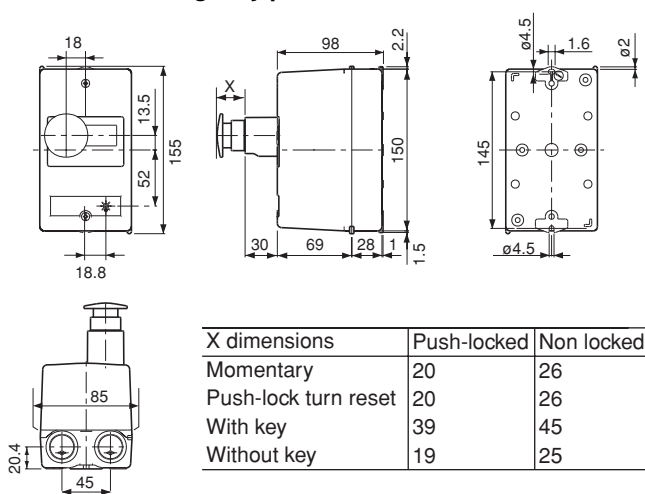
For with padlocking device



For with padlocking device



For with emergency pushbutton



For with emergency pushbutton

