




# Terminal Blocks Type AYBS

## High quality terminal blocks 600 Volts

Typical illustration and description	Volts	Amps	No. of poles	With spring washer Type	Ordering code	With turtle-shaped washer Type	Ordering code
 <p>Wire size: Max. 5.5mm<sup>2</sup> Terminal screw: M4</p> <p>SB-244</p> <p><b>AYBS021-1</b></p>	600	49	6 12	<b>AYBS026-5</b> <b>AYBS021-5</b>	LT1S-0506B LT1S-0512B	<b>AYBS026-1</b> <b>AYBS021-1</b>	LT1S-0506A LT1S-0512A
 <p>Wire size: Max. 14mm<sup>2</sup> Terminal screw: M5</p> <p>SB-241</p> <p><b>AYBS044-1</b></p>	600	88	3 4 12	<b>AYBS043-5</b> <b>AYBS044-5</b> <b>AYBS041-5</b>	LT1S-1403B LT1S-1404B LT1S-1412B	<b>AYBS043-1</b> <b>AYBS044-1</b> <b>AYBS041-1</b>	LT1S-1403A LT1S-1404A LT1S-1412A
 <p>Wire size: Max. 22mm<sup>2</sup> Terminal screw: M6</p> <p>SB-239</p> <p><b>AYBS064-1</b></p>	600	115	3 4	<b>AYBS063-5</b> <b>AYBS064-5</b>	LT1S-2203B LT1S-2204B	<b>AYBS063-1</b> <b>AYBS064-1</b>	LT1S-2203A LT1S-2204A

### ■ Ordering information

Specify the following:

1. Ordering code or type number

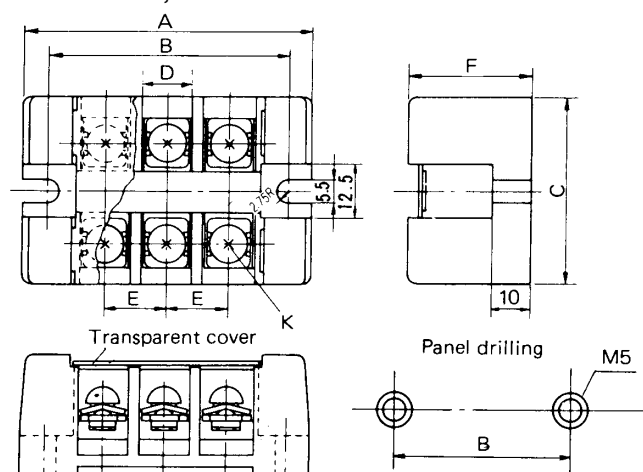
### ■ Technical data

Insulation resistance: Over 100MΩ at 500V DC

Dielectric strength: 2500V AC rms 1 minute

Ambient temperature: -20° to +40°C  
-20° to +60°C (at 70% ratings)

### ■ Dimensions, mm



Type	No. of poles	A	B	C	D	E	F	K	Mass (g)
AYBS026-1, -5	6	101	91	40	10	13	28	M4	120(110)*
AYBS021-1, -5	12	179	169	40	10	13	28	M4	220
AYBS043-1, -5	3	72	60.5	46	12.5	15.5	32	M5	100
AYBS044-1, -5	4	88	76	46	12.5	15.5	32	M5	120
AYBS041-1, -5	12	212	200	46	12.5	15.5	32	M5	340
AYBS063-1, -5	3	89	77	60	17	21	35.5	M6	200
AYBS064-1, -5	4	110	98	60	17	21	35.5	M6	240

\* For AYBS026-5 type