

Molded Case Circuit Breakers

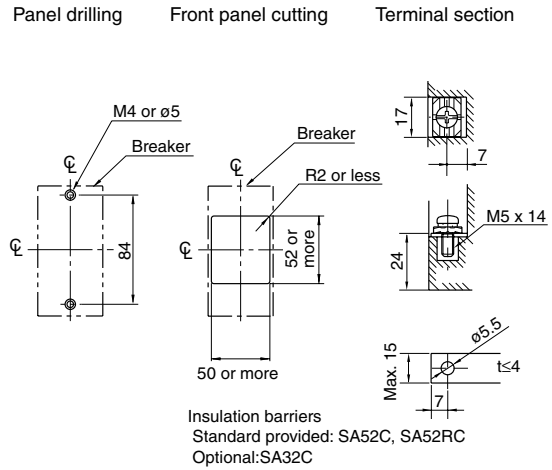
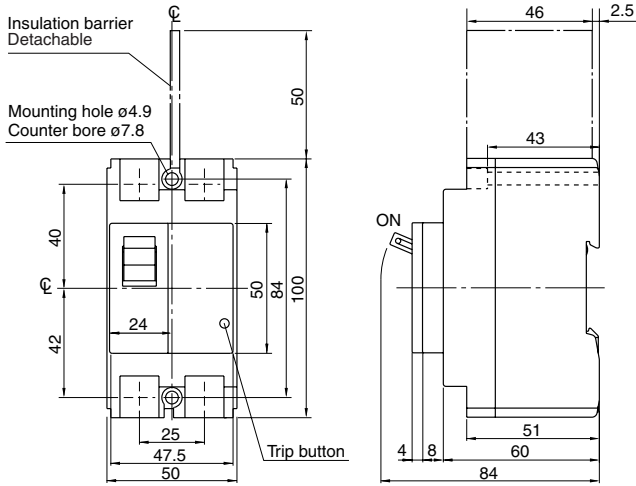
Dimensions

S series/2, 3-pole

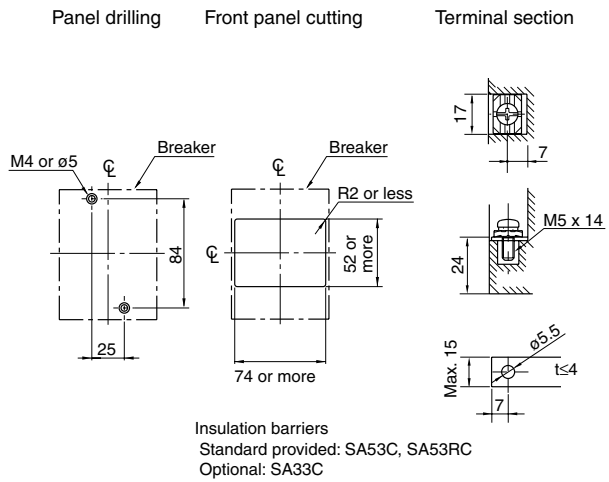
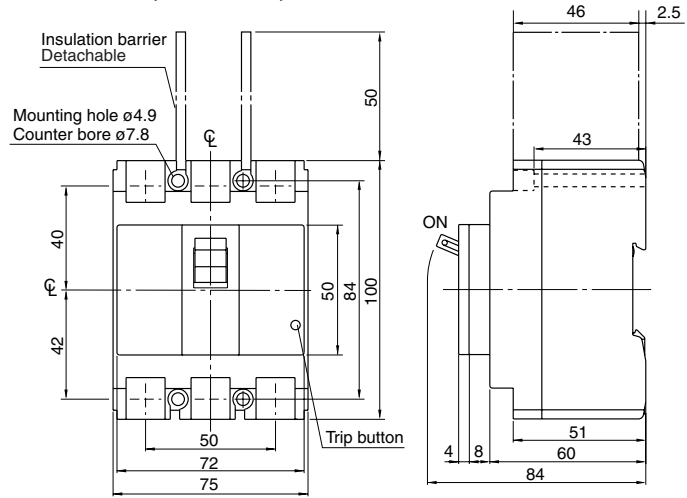
■ Dimensions, mm

● Front mounting, front connection

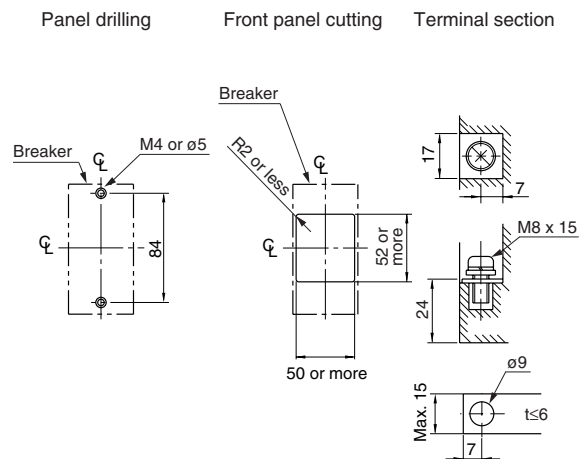
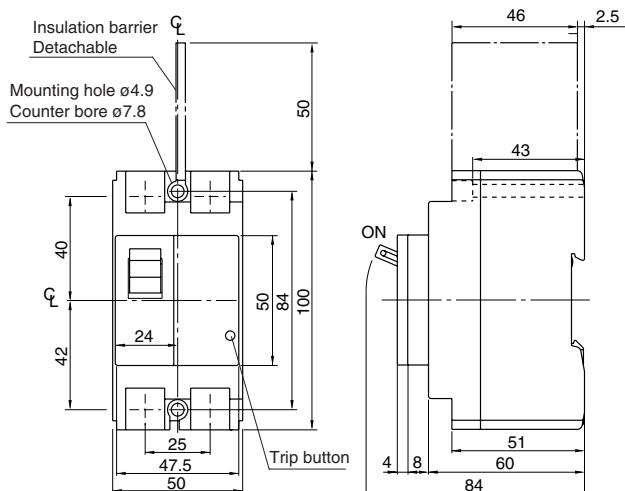
SA32C □ -CE, 52C □ -CE, 52RC □ -CE



SA33C □ -CE, 53C □ -CE, 53RC □ -CE



SA62C □ -CE, 62RC □ -CE



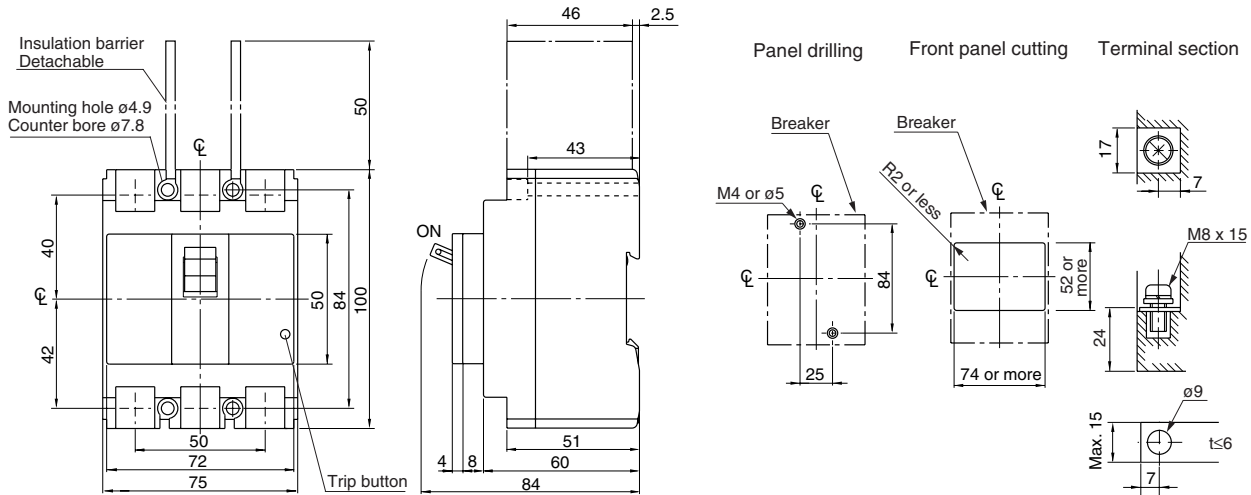
Molded Case Circuit Breakers

Dimensions

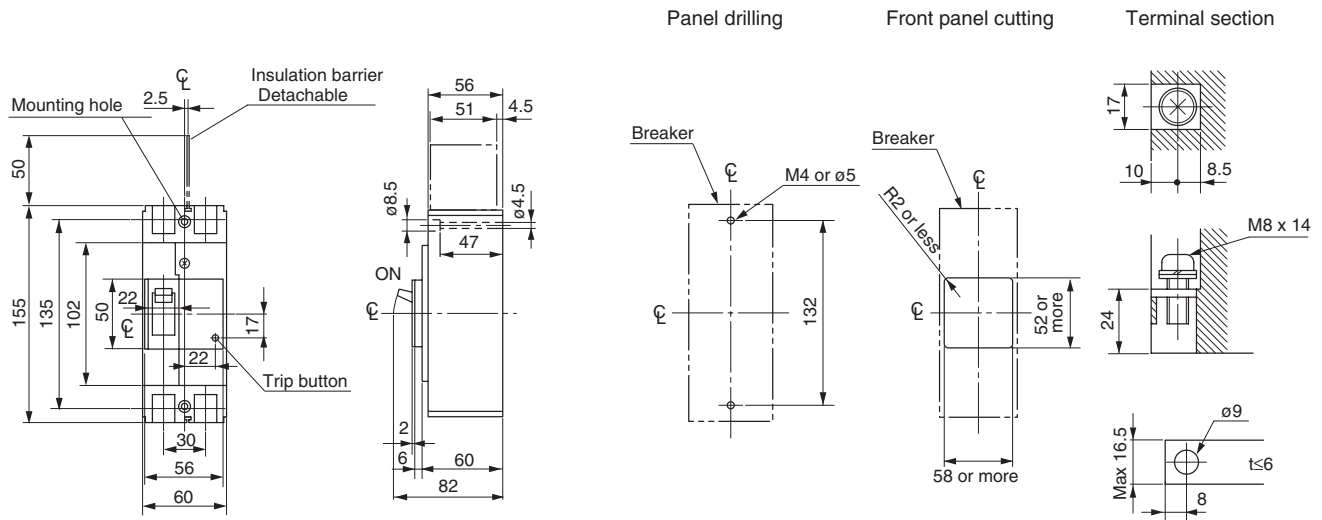
S series/2, 3-pole

- Dimensions, mm
- Front mounting, front connection

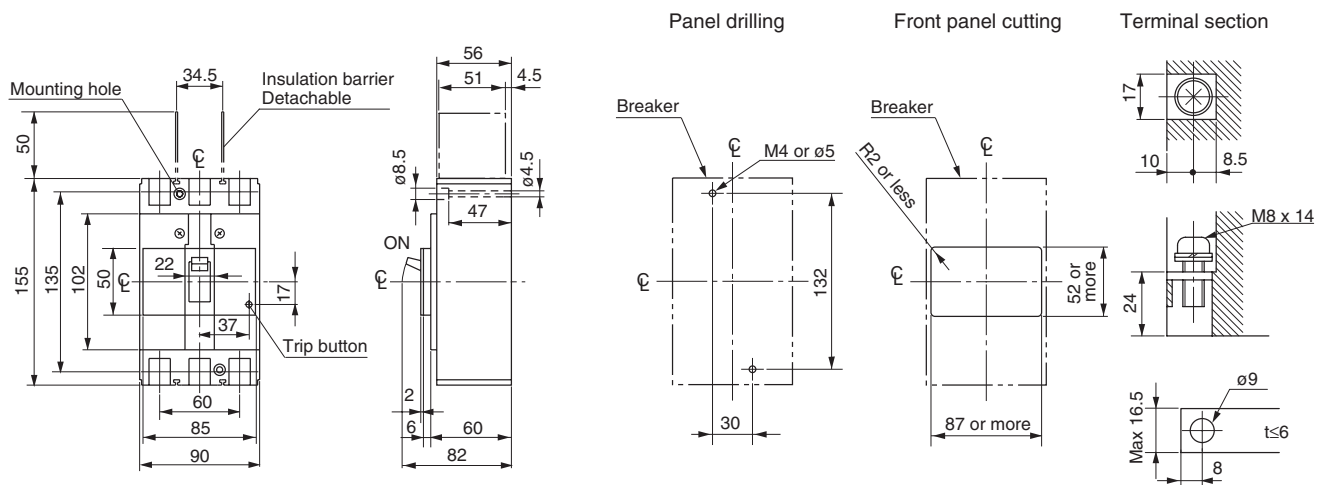
SA63C □ -CE, 63RC □ -CE



SA102C □ -CE



SA103C □ -CE



Molded Case Circuit Breakers

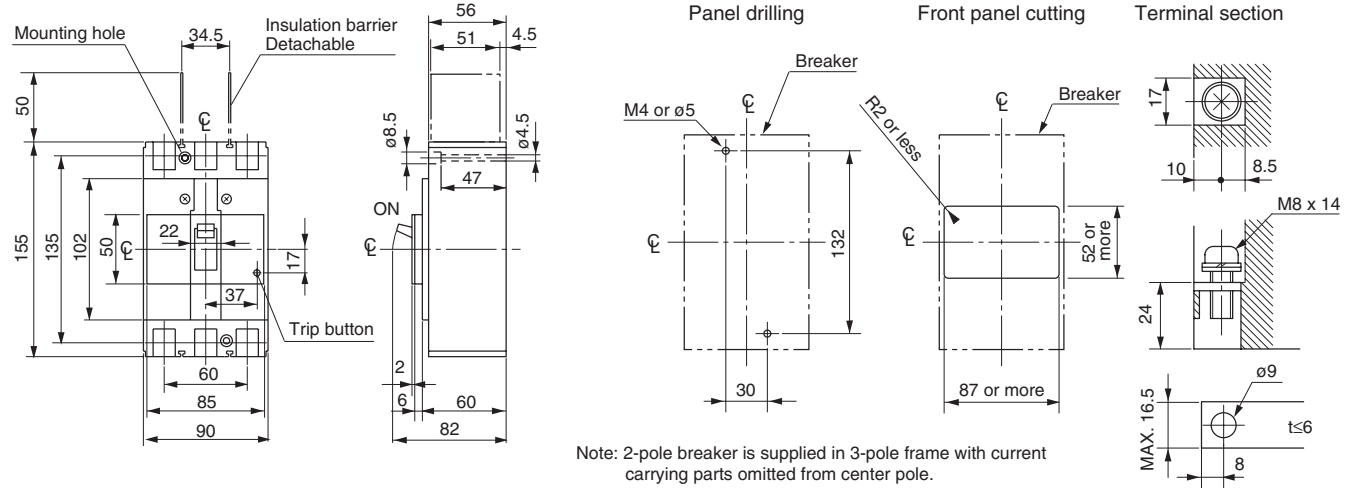
Dimensions

S series/2, 3-pole

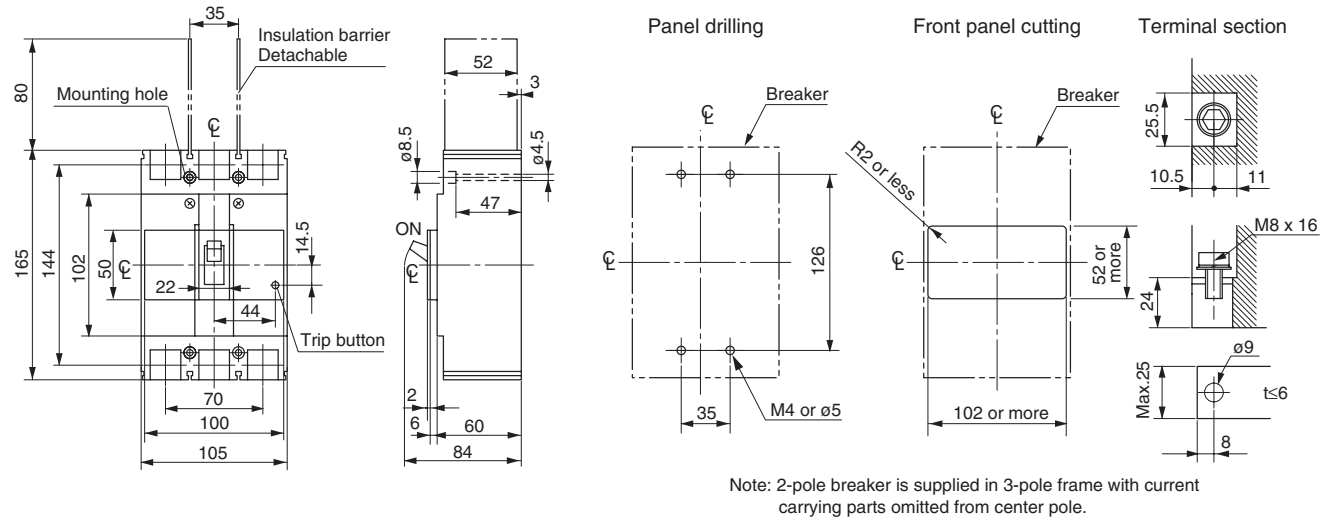
■ Dimensions, mm

● Front mounting, front connection

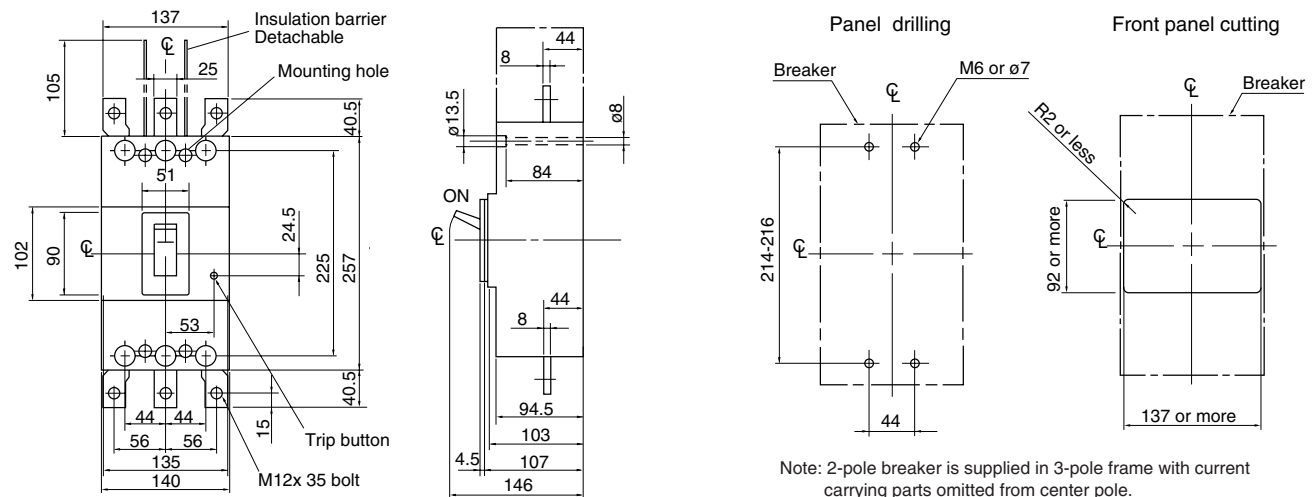
SA102RC □ -CE, 103RC □ -CE



SA202C □ -CE, 203C □ -CE, 202RC □ -CE, 203RC □ -CE



SA402C □ -CE, 403C □ -CE, 402RC □ -CE, 403RC □ -CE



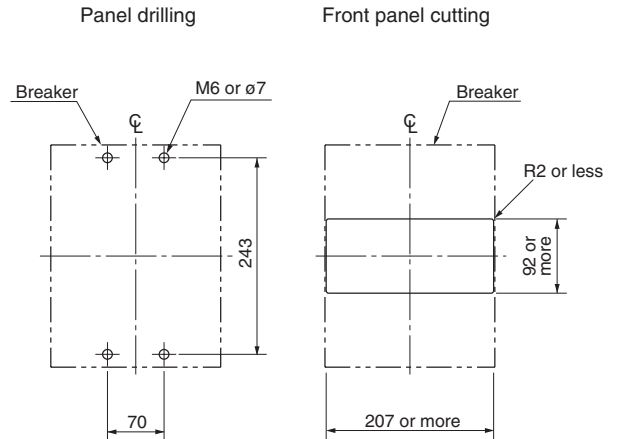
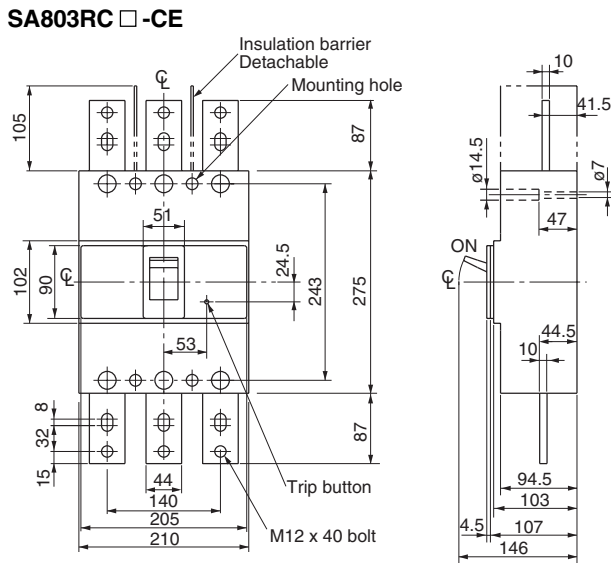
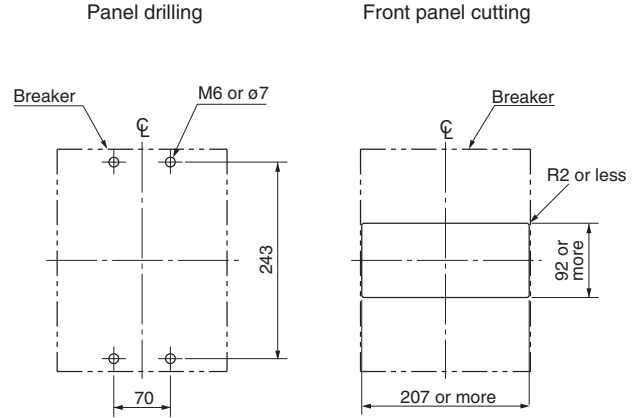
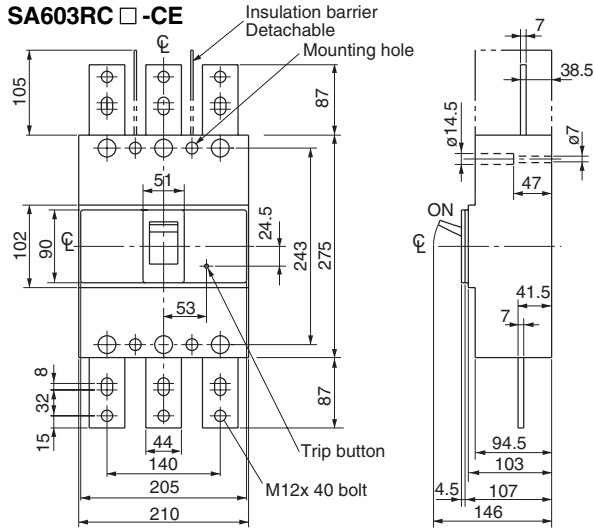
Molded Case Circuit Breakers

Dimensions

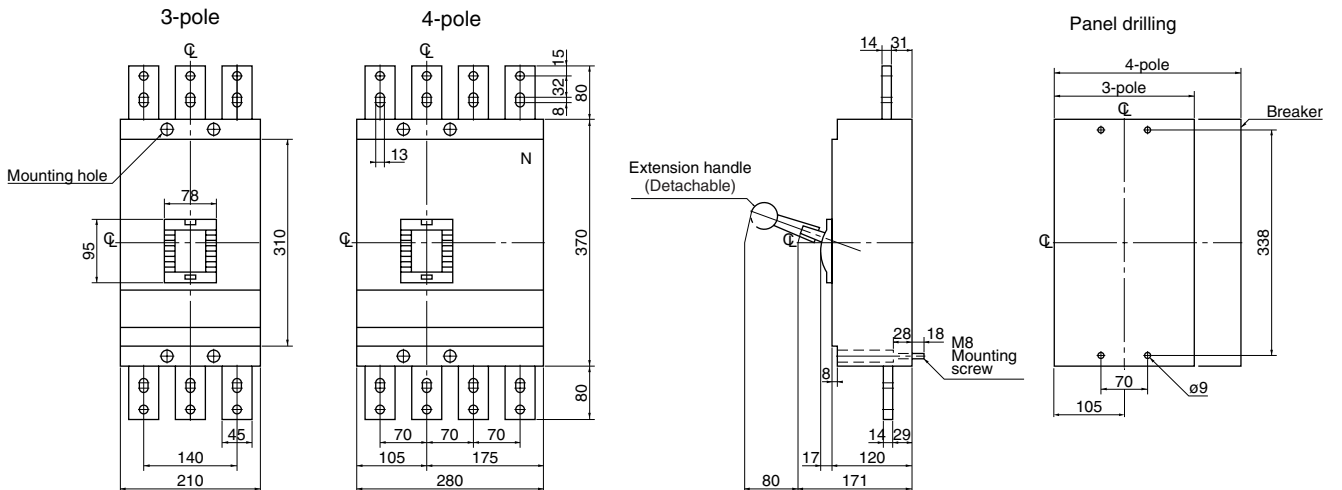
S series/3, 4-pole

■ Dimensions, mm

● Front mounting, front connection



SA1003E, SA1004E, SA1203E, SA1204E



Molded Case Circuit Breakers

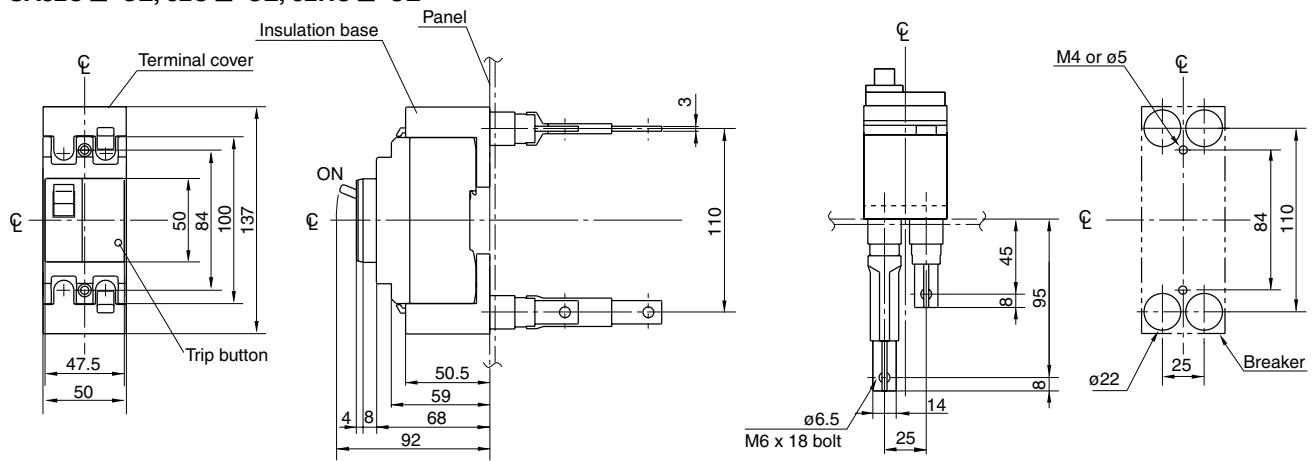
Dimensions

S series/2, 3-pole

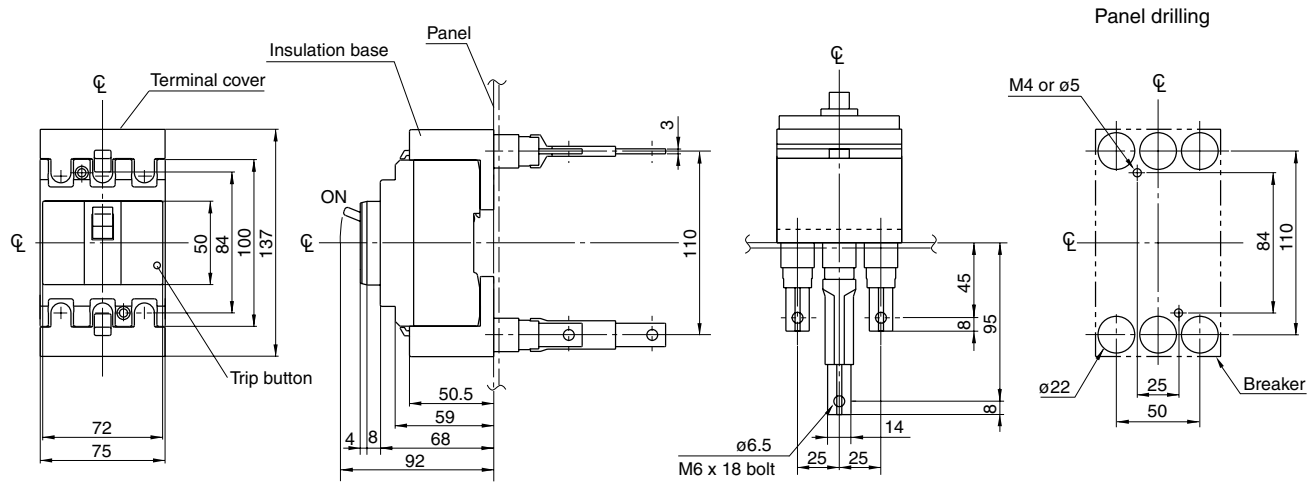
■ Dimensions, mm

● Front mounting, rear connection (type X)

SA32C □ -CE, 52C □ -CE, 52RC □ -CE



SA33C □ -CE, 53C □ -CE, 53RC □ -CE



Molded Case Circuit Breakers

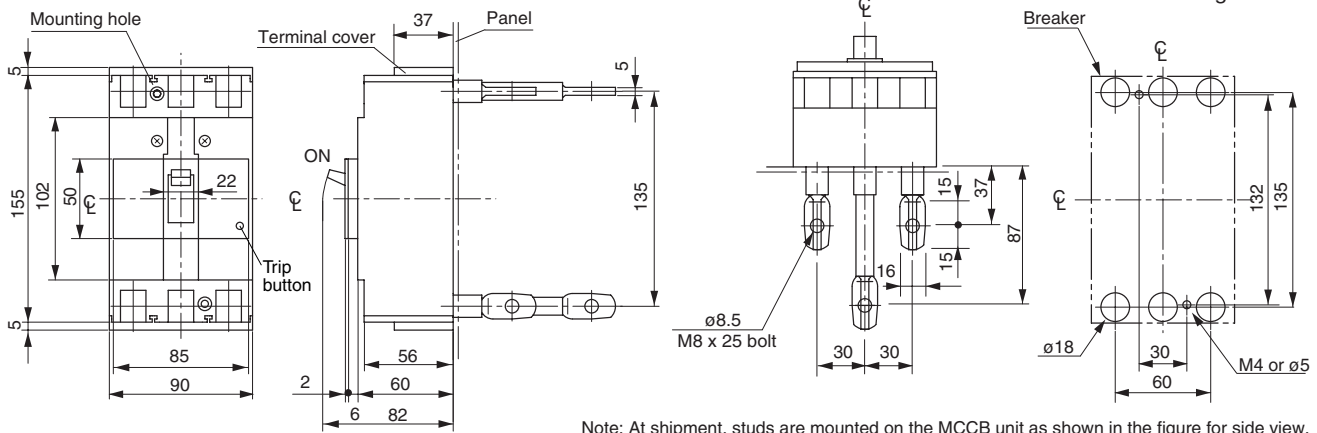
Dimensions

S series/2, 3-pole

■ Dimensions, mm

● Front mounting, rear connection (type X)

SA103C □ -CE



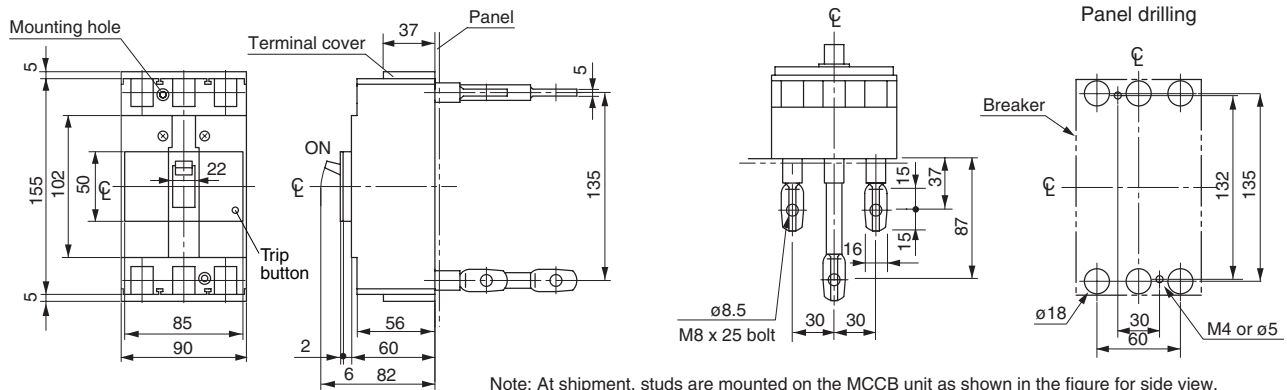
Note: At shipment, studs are mounted on the MCCB unit as shown in the figure for side view.

•Studs for line side terminal : Mounted horizontally.

•Studs for load-side terminal : Mounted vertically.

Each stud can be turned by 90°.

SA102RC □ -CE, 103RC □ -CE



Note: At shipment, studs are mounted on the MCCB unit as shown in the figure for side view.

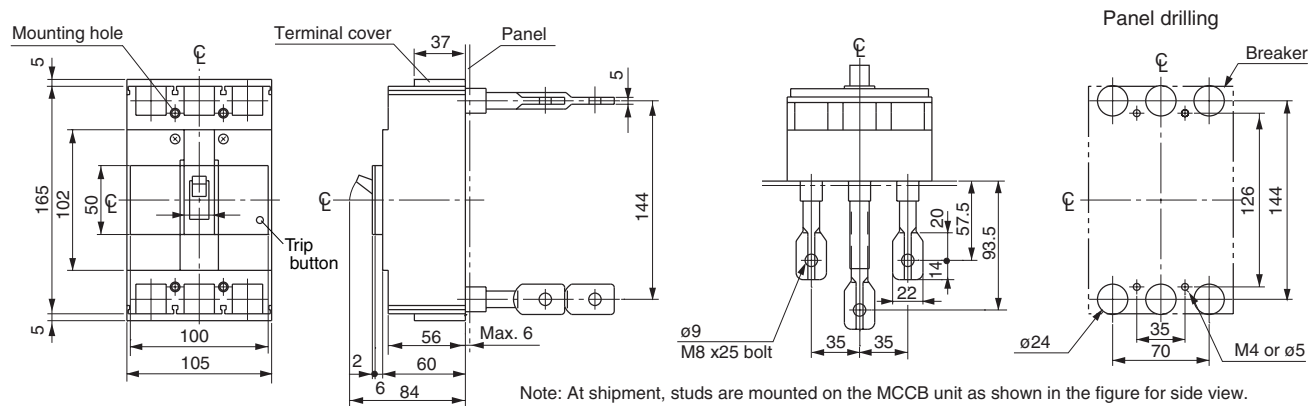
•Studs for line side terminal : Mounted horizontally.

•Studs for load-side terminal : Mounted vertically.

Each stud can be turned by 90°.

2-pole breaker is supplied in 3-pole frame with current carrying parts omitted from center pole.

SA202C □ -CE, 203C □ -CE, 202RC □ -CE, 203RC □ -CE



Note: At shipment, studs are mounted on the MCCB unit as shown in the figure for side view.

•Studs for line side terminal : Mounted horizontally.

•Studs for load-side terminal : Mounted vertically.

Each stud can be turned by 90°.

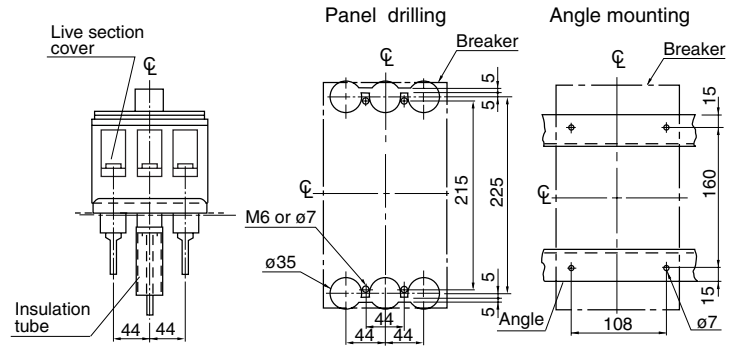
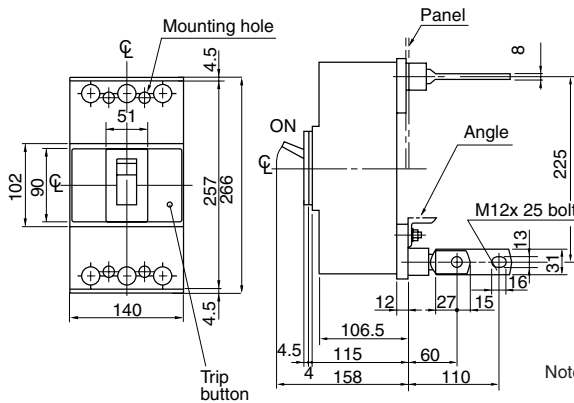
2-pole breaker is supplied in 3-pole frame with current carrying parts omitted from center pole.

Molded Case Circuit Breakers Dimensions S series/2, 3-pole

■ Dimensions, mm

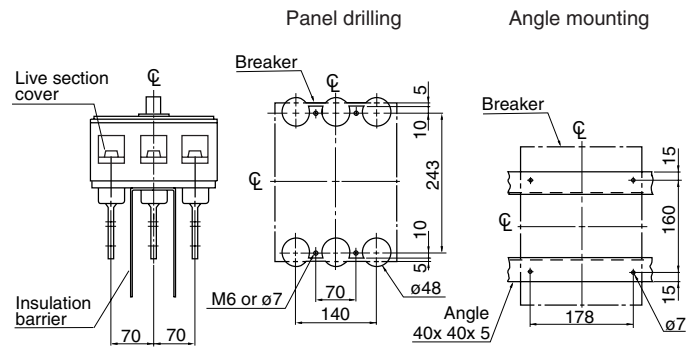
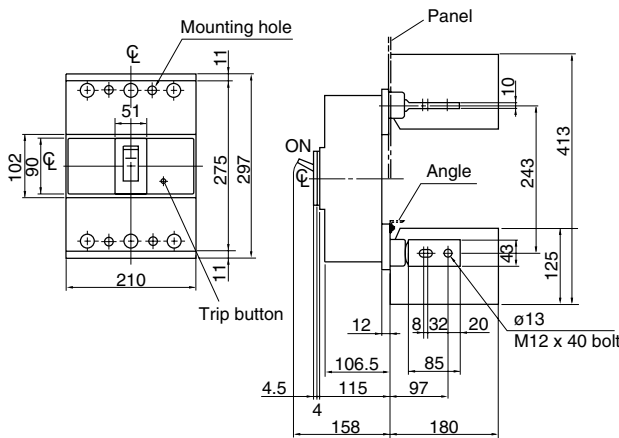
● Front mounting, rear connection (type X)

SA402C □ -CE, 403C □ -CE, 402RC □ -CE, 403RC □ -CE



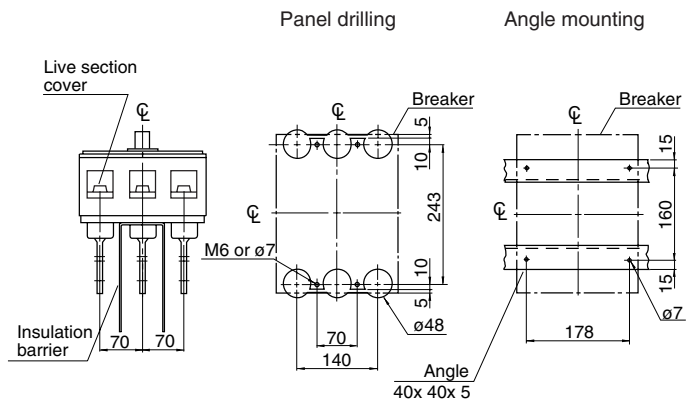
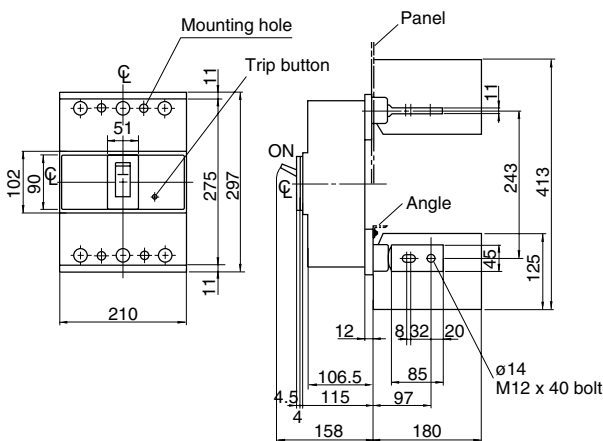
Note: At shipment, studs are mounted on the MCCB unit as shown in the figure for side view.
 •Studs for line side terminal : Mounted horizontally.
 •Studs for load-side terminal : Mounted vertically.
 Each stud can be turned by 90°.
 2-pole breaker is supplied in 3-pole frame with current carrying parts omitted from center pole.

SA603RC □ -CE



Note: At shipment, studs are mounted on the MCCB unit as shown in the figure for side view.
 •Studs for line side terminal : Mounted horizontally.
 •Studs for load side terminal : Mounted vertically.
 Each stud can be turned by 90°.

SA803RC □ -CE



Note: At shipment, studs are mounted on the MCCB unit as shown in the figure for side view.
 •Studs for line side terminal : Mounted horizontally.
 •Studs for load side terminal : Mounted vertically.
 Each stud can be turned by 90°.

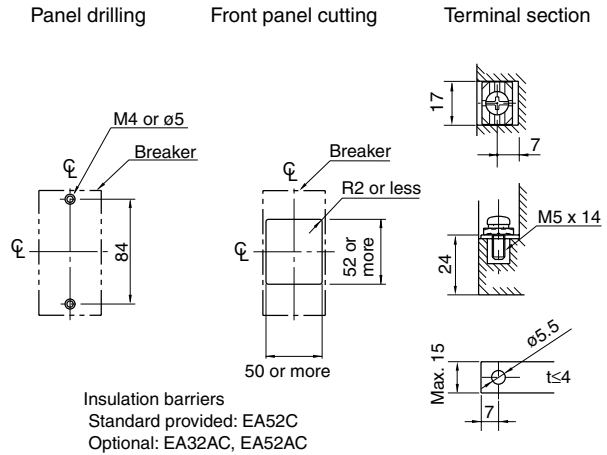
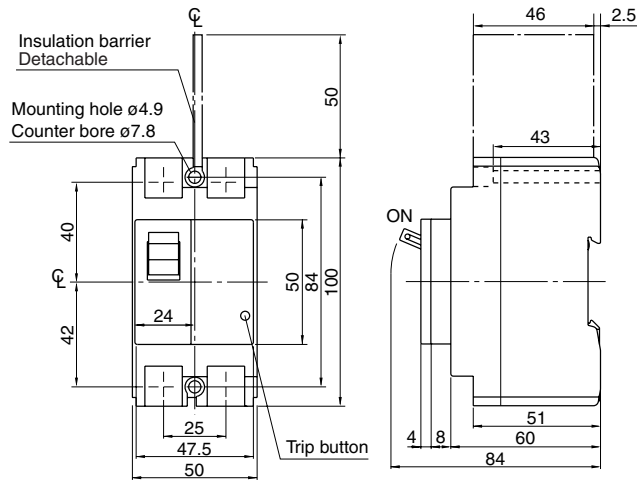
Molded Case Circuit Breakers

Dimensions

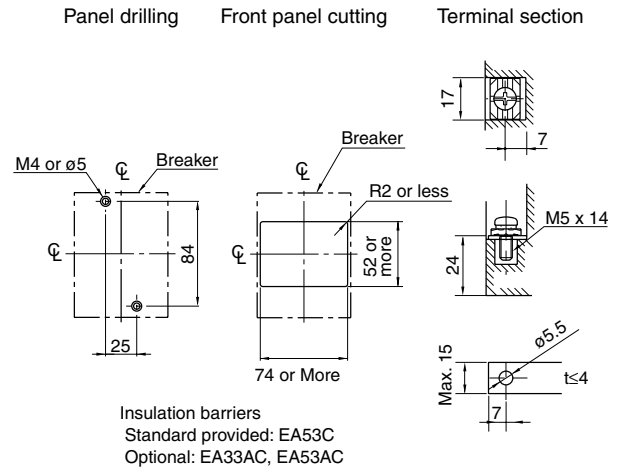
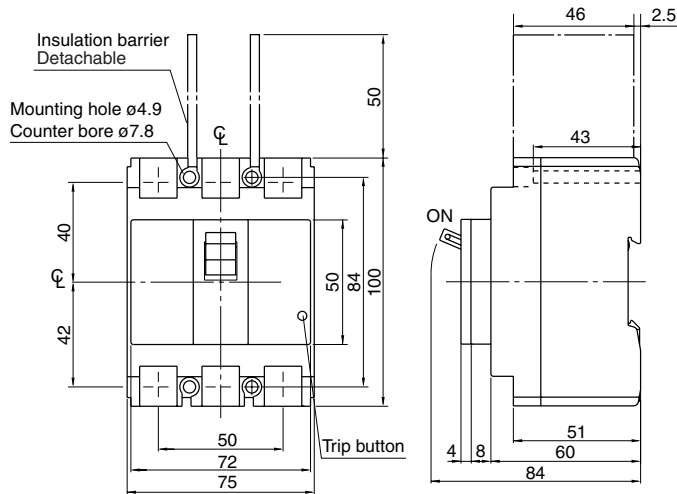
E series/2, 3-pole

- Dimensions, mm
- Front mounting, front connection

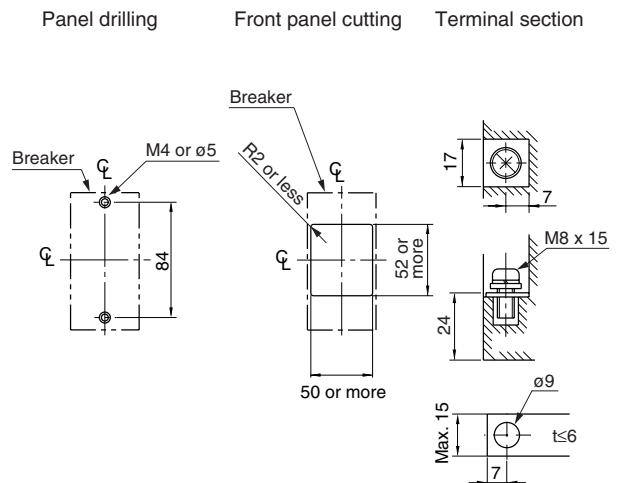
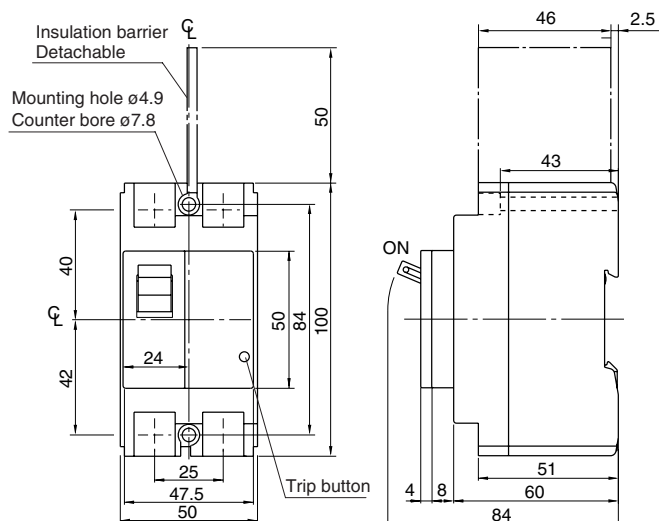
EA32AC □ -CE, 52AC □ -CE, 52C □ -CE



EA33AC □ -CE, 53AC □ -CE, 53C □ -CE



EA62C □ -CE



Molded Case Circuit Breakers

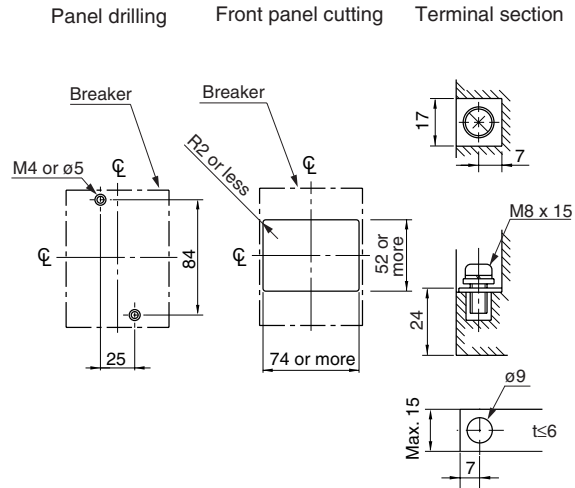
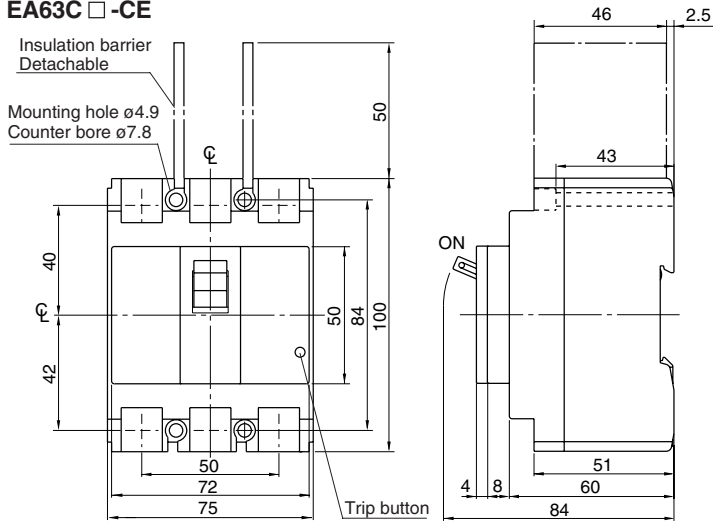
Dimensions

E series/2, 3-pole

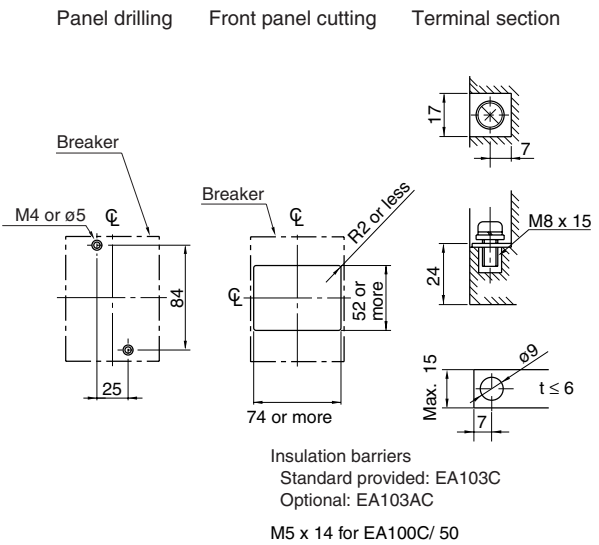
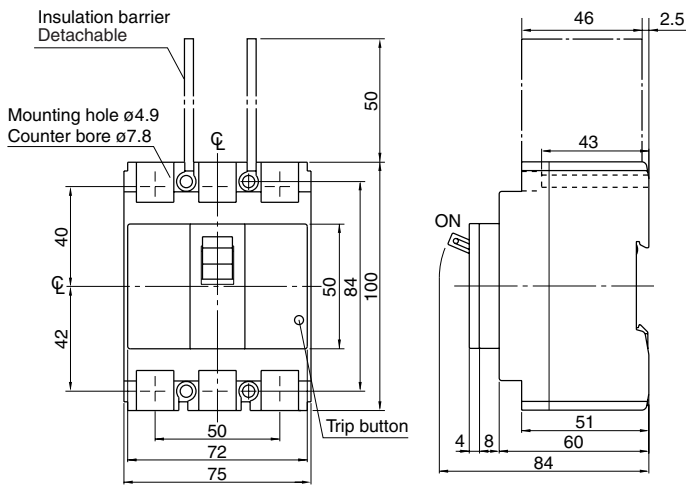
■ Dimensions, mm

● Front mounting, front connection

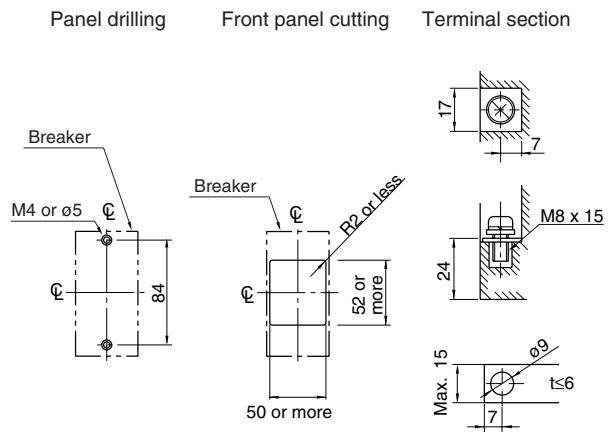
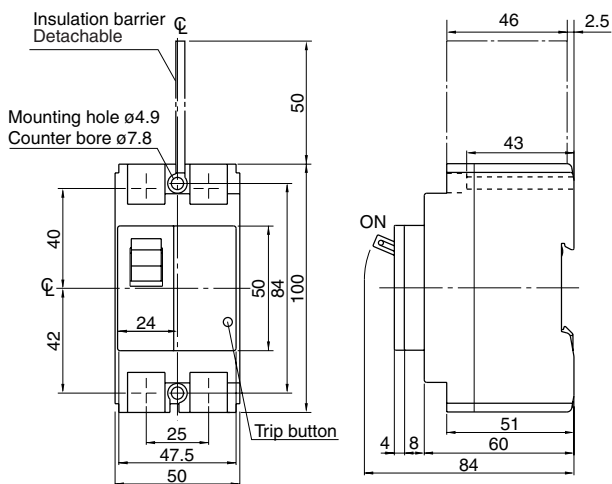
EA63C □ -CE



EA103AC □ -CE, 103C □ -CE



EA102C □ -CE



M5 x 14 for EA100C/ 50

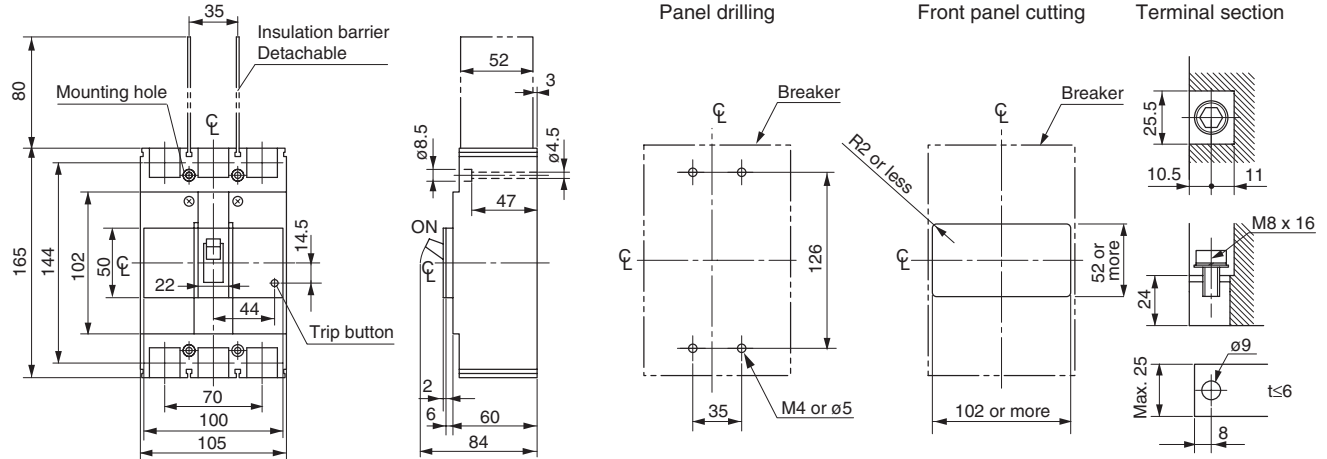
Molded Case Circuit Breakers

Dimensions

E series/2, 3-pole

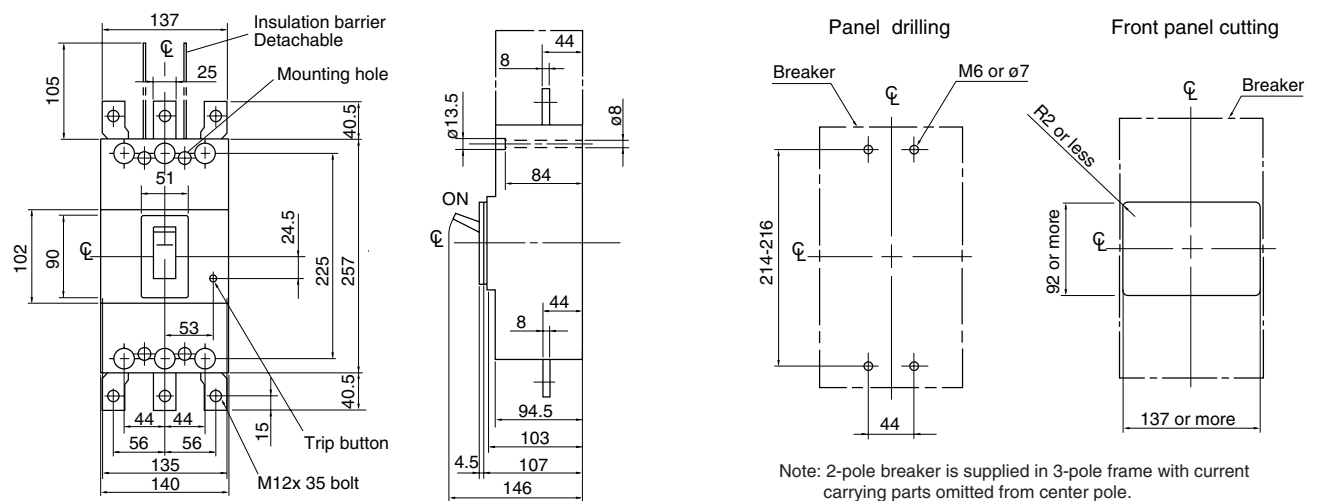
- Dimensions, mm
- Front mounting, front connection

EA202C □ -CE, 203C □ -CE



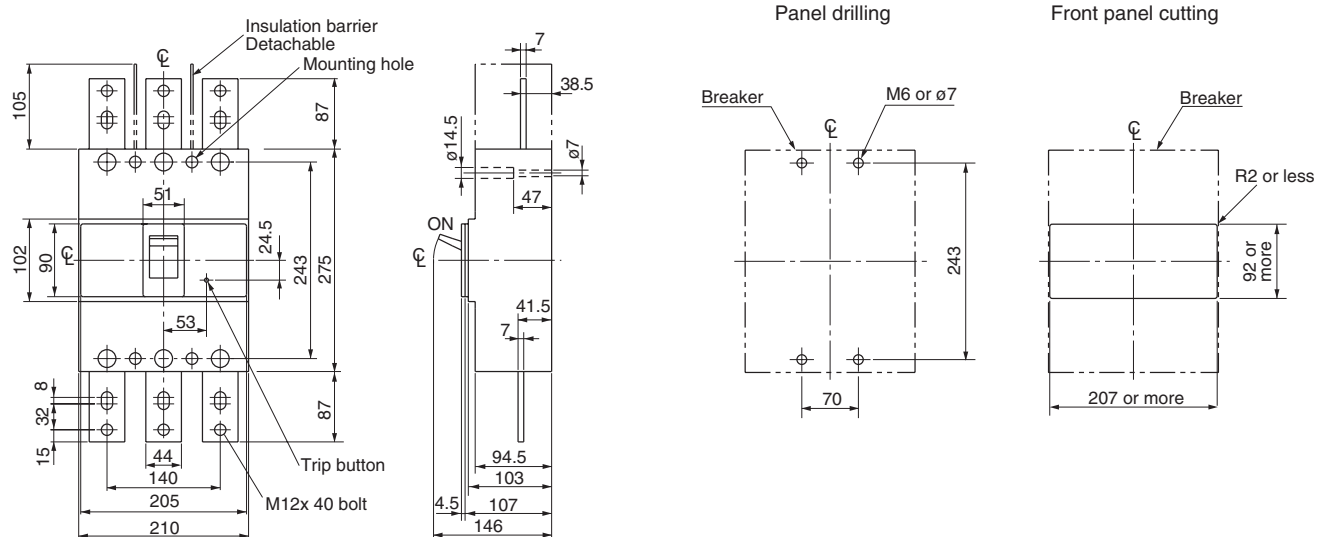
Note: 2-pole breaker is supplied in 3-pole frame with current carrying parts omitted from center pole.

EA402C □ -CE, 403C □ -CE



Note: 2-pole breaker is supplied in 3-pole frame with current carrying parts omitted from center pole.

EA603C □ -CE



Molded Case Circuit Breakers

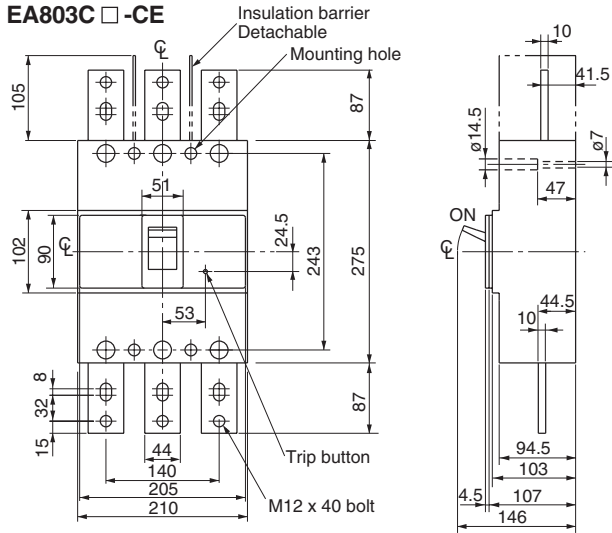
Dimensions

E series/2, 3, 4-pole

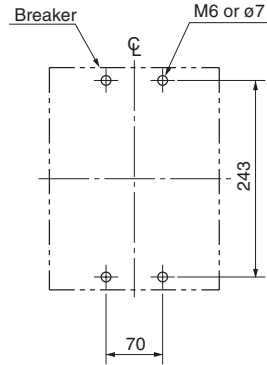
■ Dimensions, mm

● Front mounting, front connection

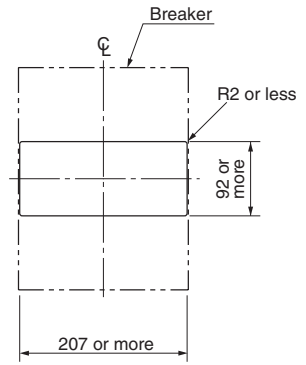
EA803C □ -CE



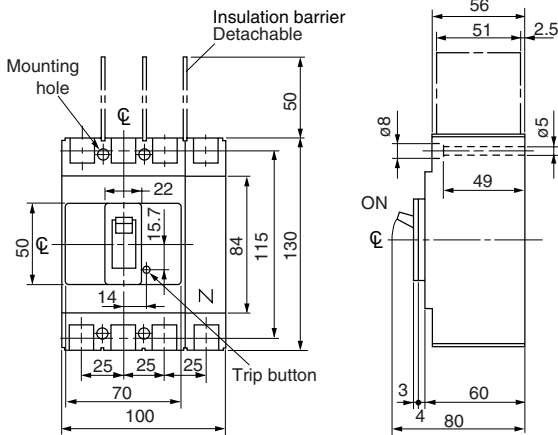
Panel drilling



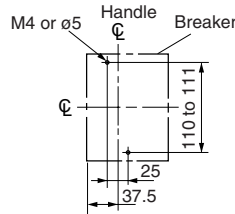
Front panel cutting



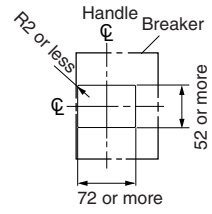
EA104B



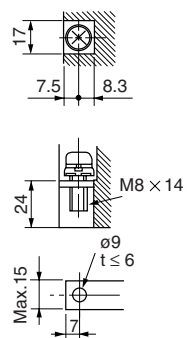
Panel drilling



Front panel cutting

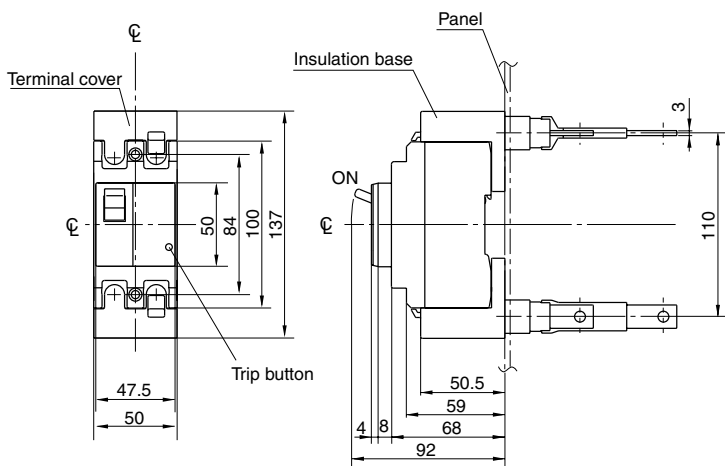


Terminal section

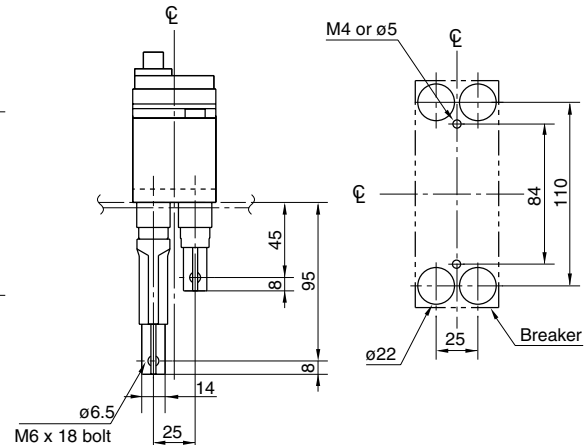


● Front mounting, rear connection (type X)

EA32AC □ -CE, 52AC □ -CE, 52C □ -CE



Panel drilling

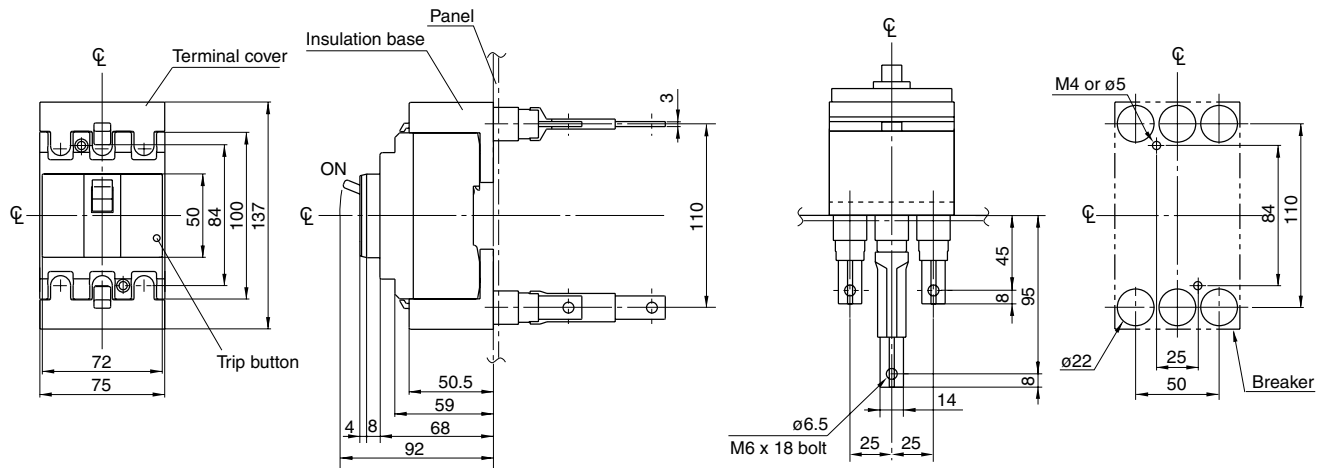


Molded Case Circuit Breakers Dimensions E series/2, 3-pole

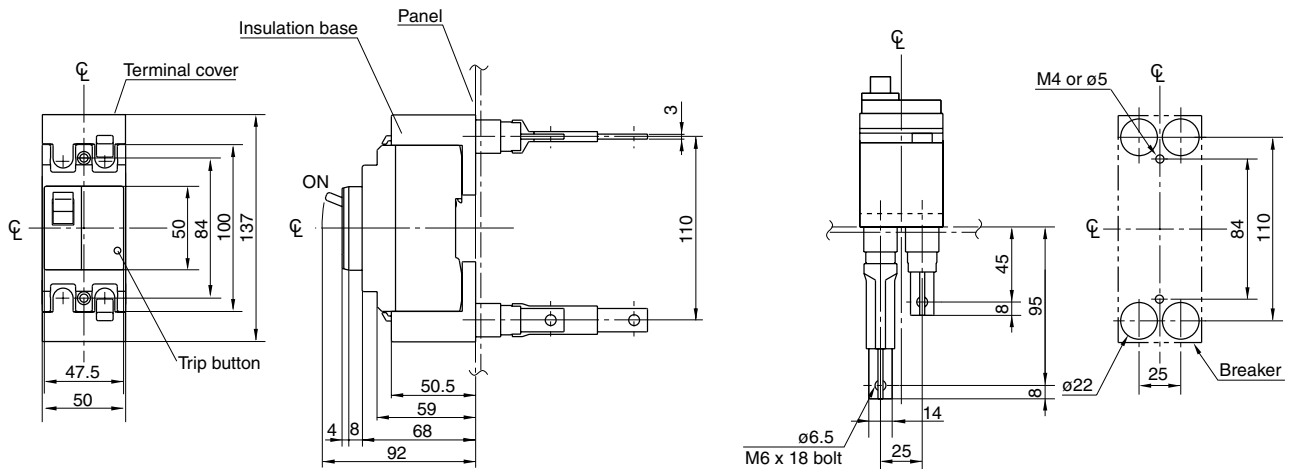
■ Dimensions, mm

● Front mounting, rear connection (type X)

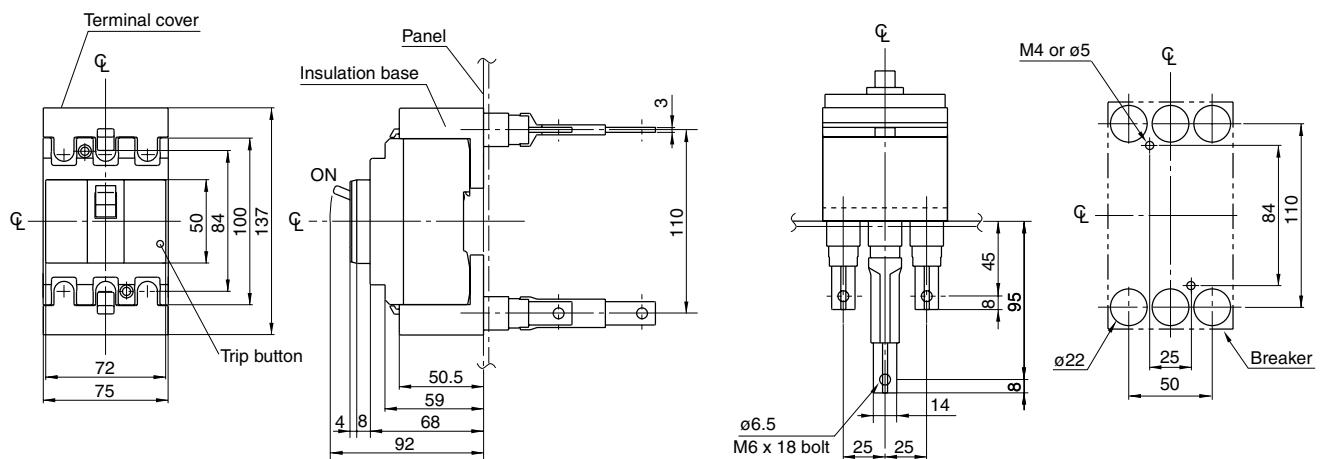
EA33AC □ -CE, 53AC □ -CE, 53C □ -CE



EA62C □ -CE



EA63C □ -CE

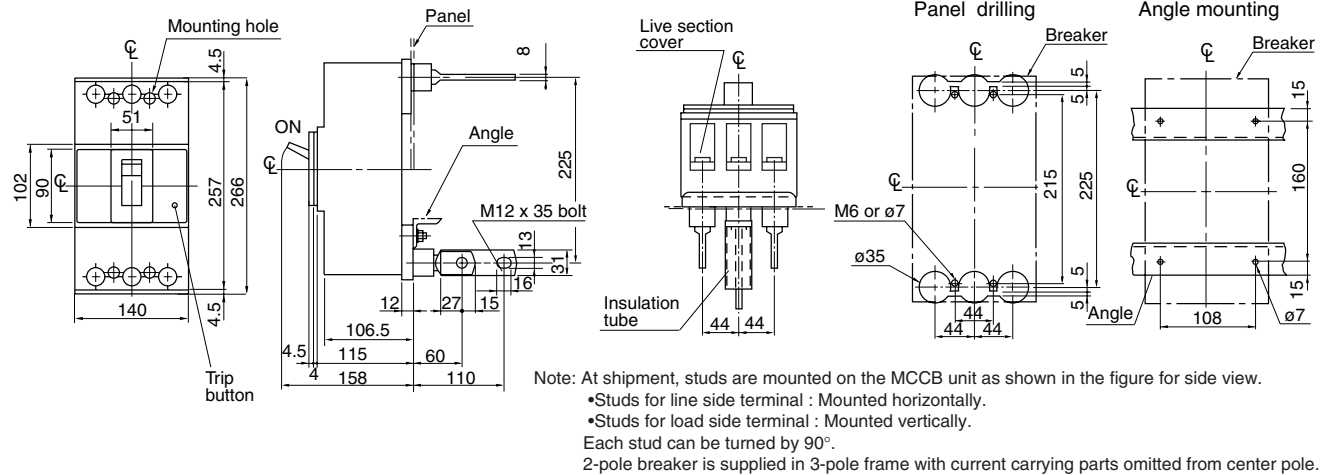


Molded Case Circuit Breakers Dimensions E series/ 2, 3-pole

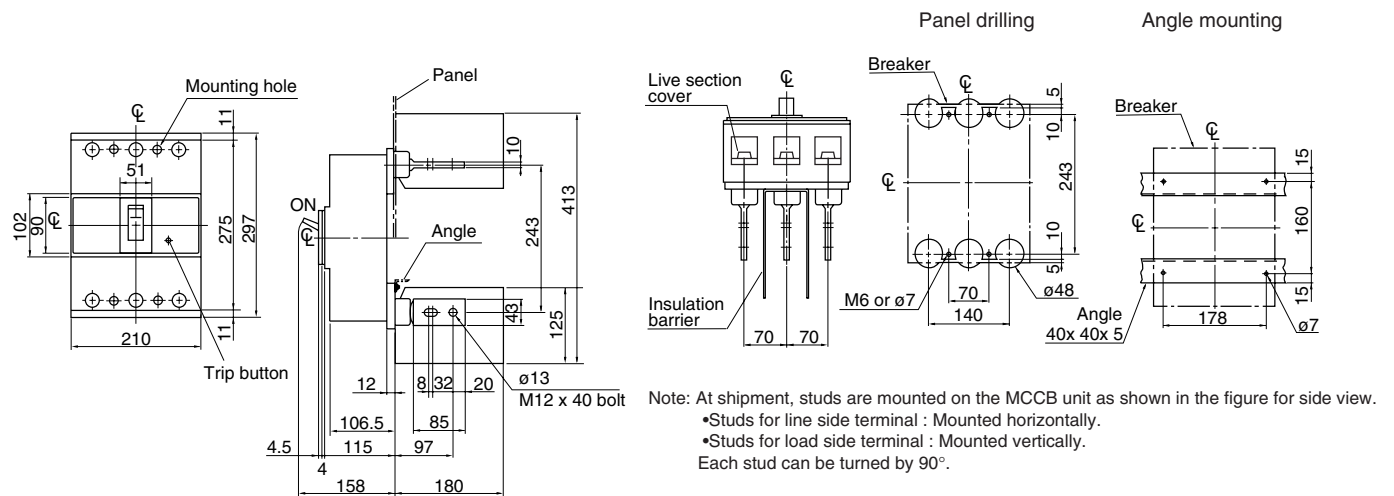
■ Dimensions, mm

● Front mounting, rear connection (type X)

EA402C □ -CE, 403C □ -CE



EA603C □ -CE



EA803C □ -CE

