

Molded Case Circuit Breakers

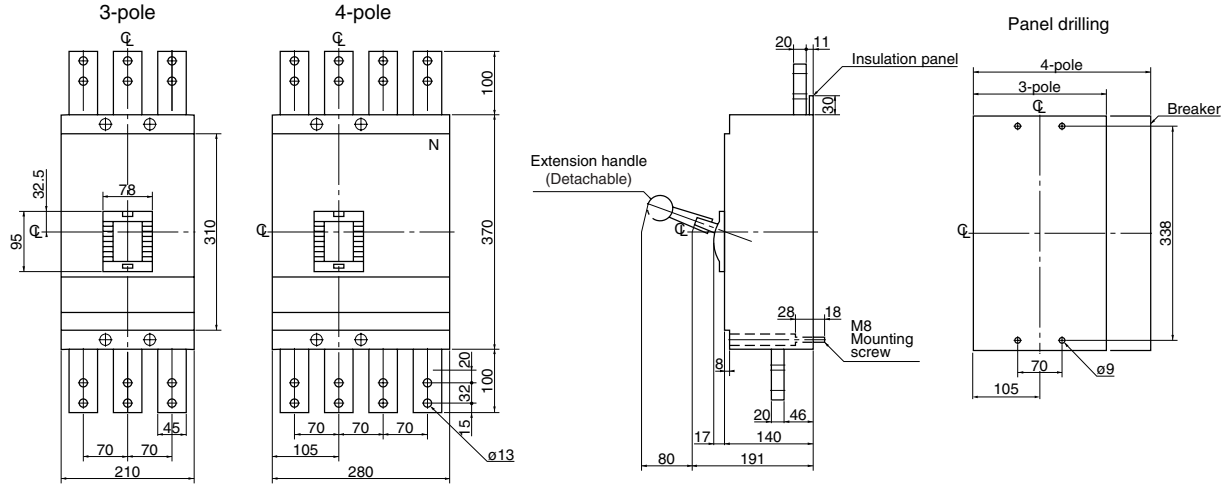
Dimensions

S series/3, 4-pole

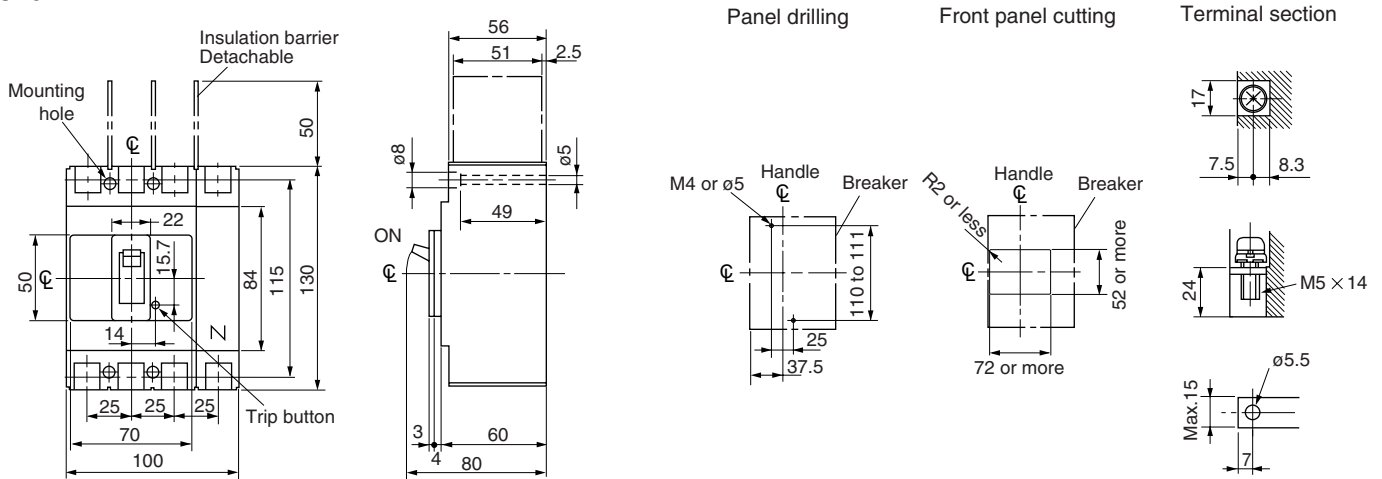
■ Dimensions, mm

● Front mounting, front connection

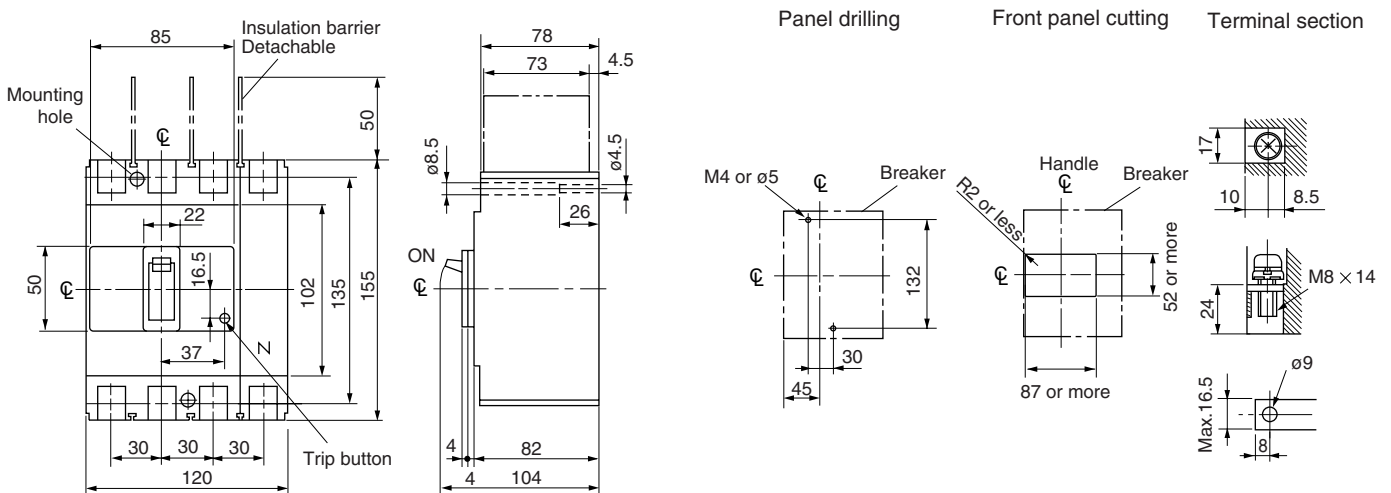
SA1603E, SA1604E



SA54B



SA104R



Molded Case Circuit Breakers

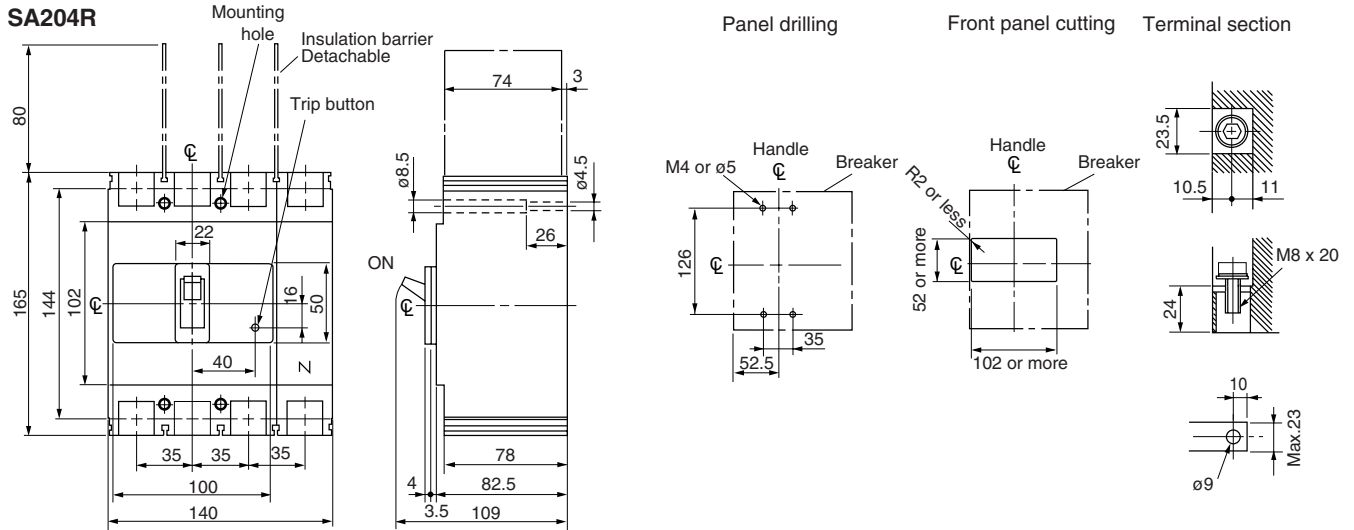
Dimensions

S series/4-pole

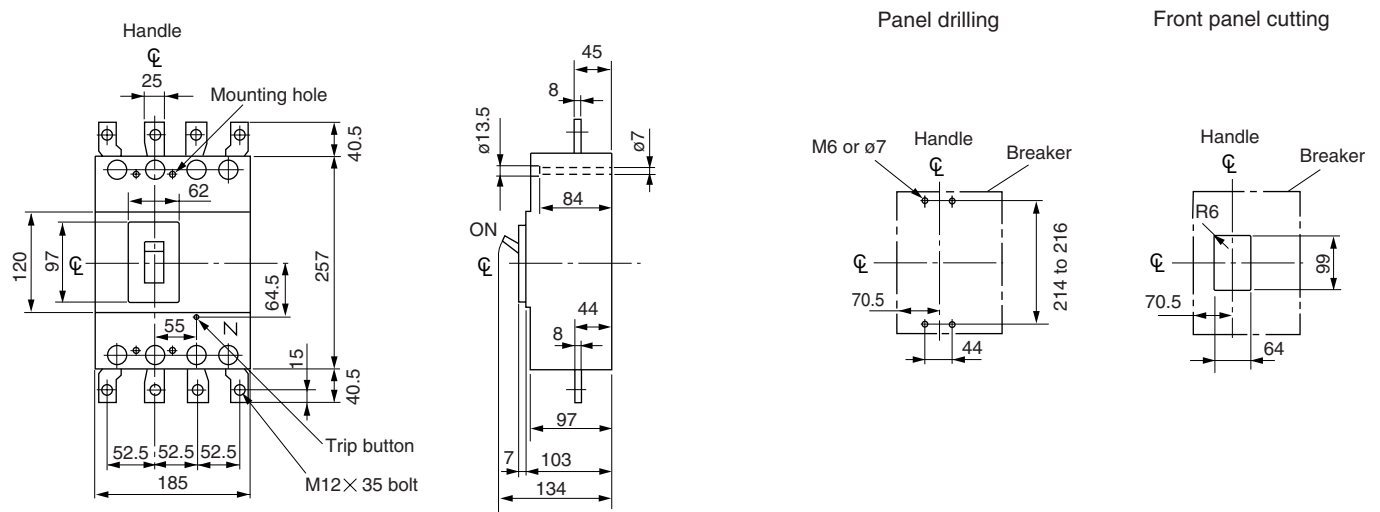
■ Dimensions, mm

● Front mounting, front connection

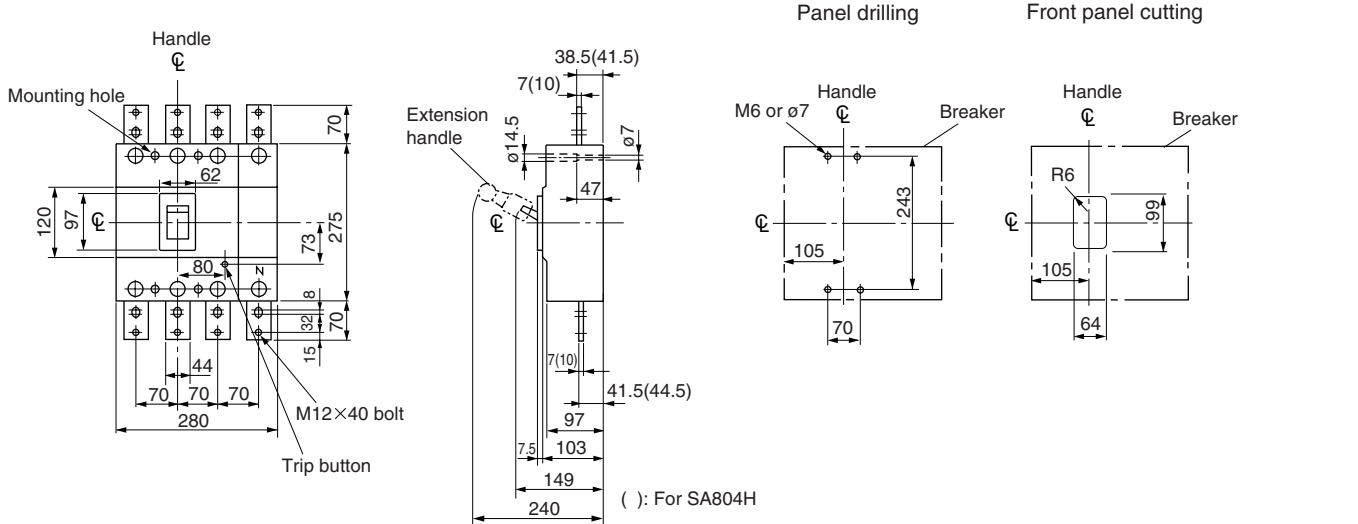
SA204R



SA404HA



SA604H, 804H



Molded Case Circuit Breakers

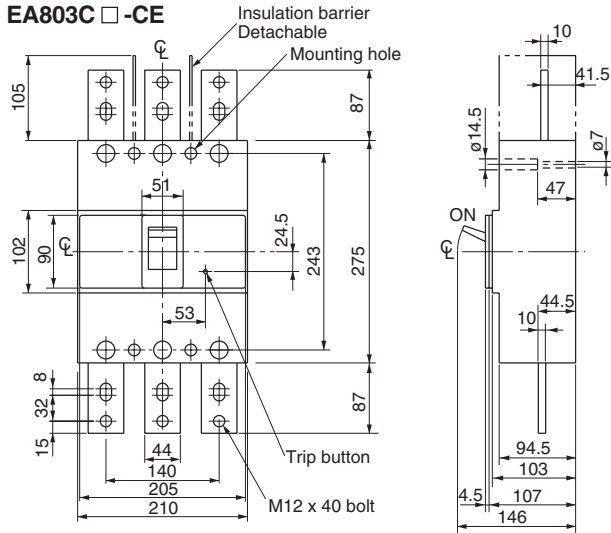
Dimensions

E series/2, 3, 4-pole

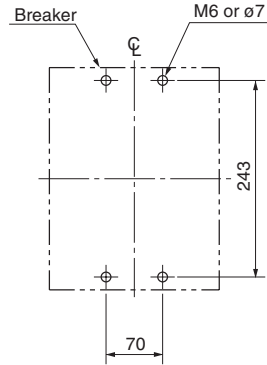
■ Dimensions, mm

● Front mounting, front connection

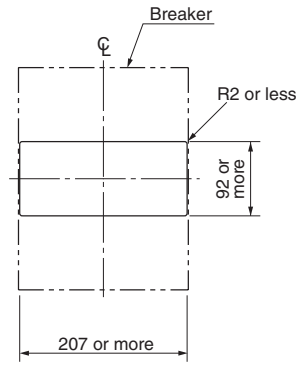
EA803C □ -CE



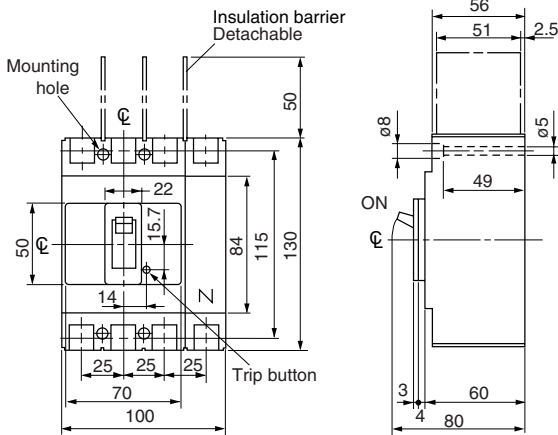
Panel drilling



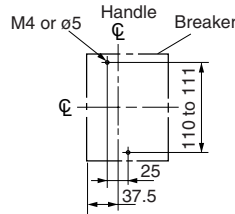
Front panel cutting



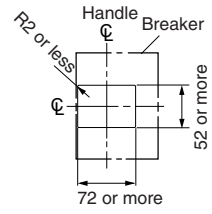
EA104B



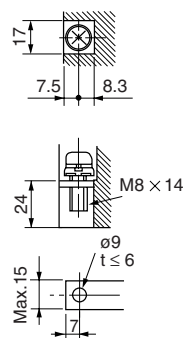
Panel drilling



Front panel cutting

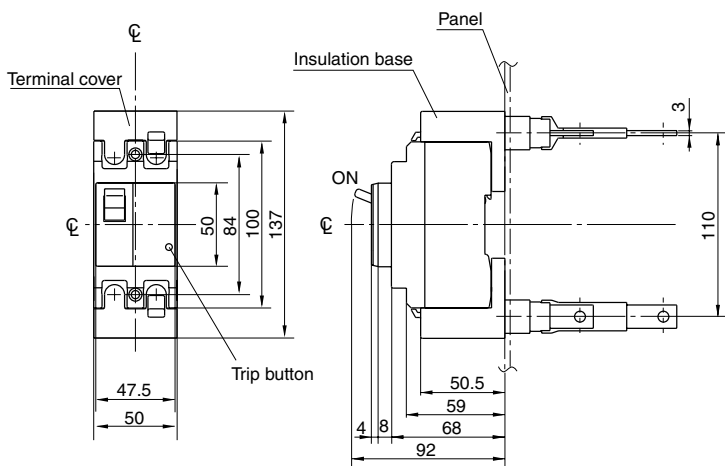


Terminal section



● Front mounting, rear connection (type X)

EA32AC □ -CE, 52AC □ -CE, 52C □ -CE



Panel drilling

