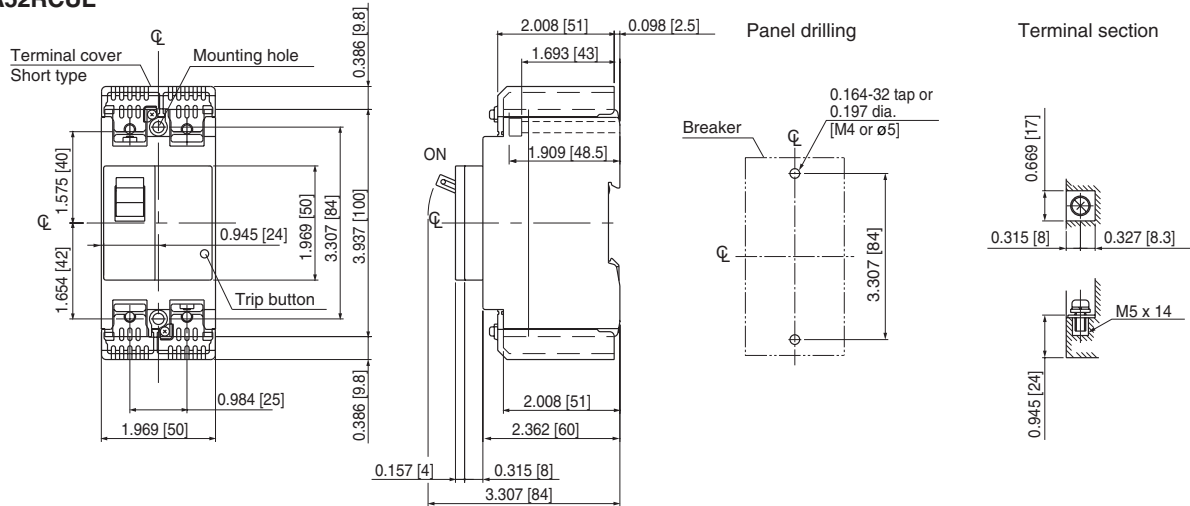
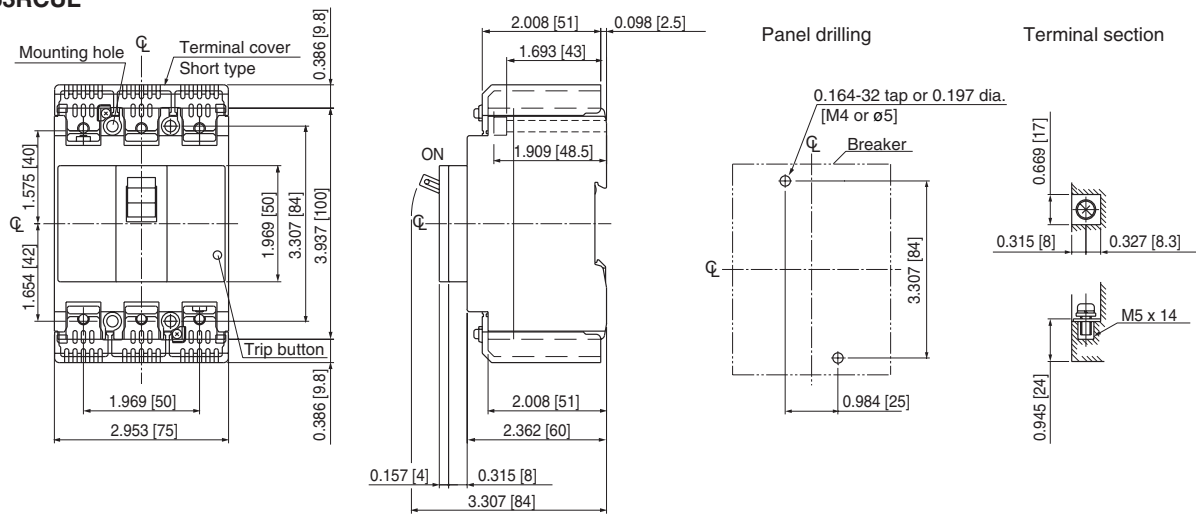


- Dimensions, inch [mm]
- Front mounting, front connection

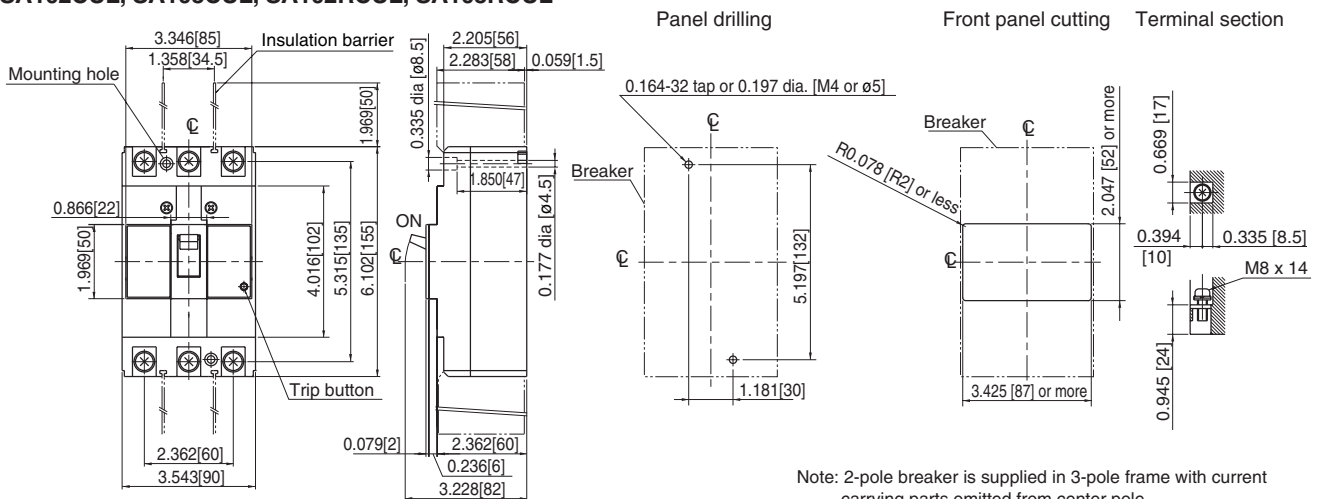
SA52RCUL



SA53RCUL



SA102CUL, SA103CUL, SA102RCUL, SA103RCUL



Note: 2-pole breaker is supplied in 3-pole frame with current carrying parts omitted from center pole.

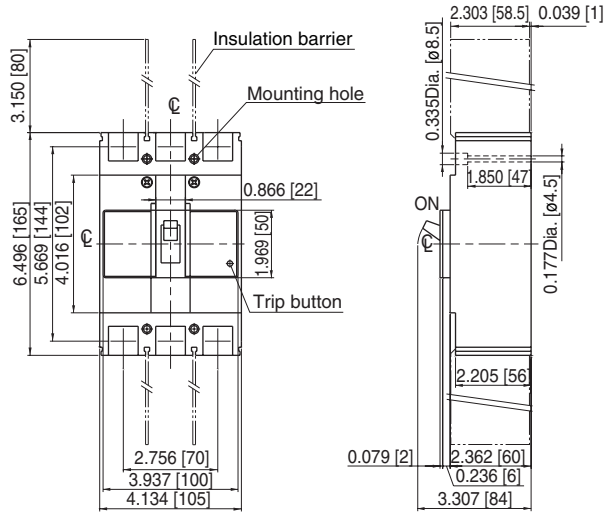
Molded Case Circuit Breakers

Dimensions

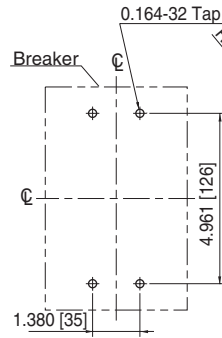
UL Listed

- Dimensions, inch [mm]
- Front mounting, front connection

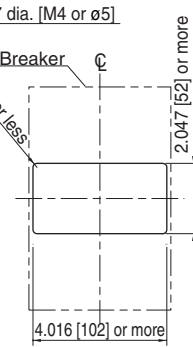
SA202CUL, SA203CUL



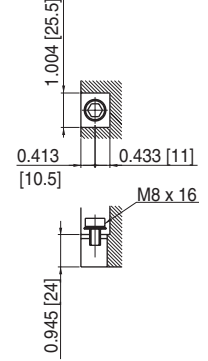
Panel drilling



Front panel cutting

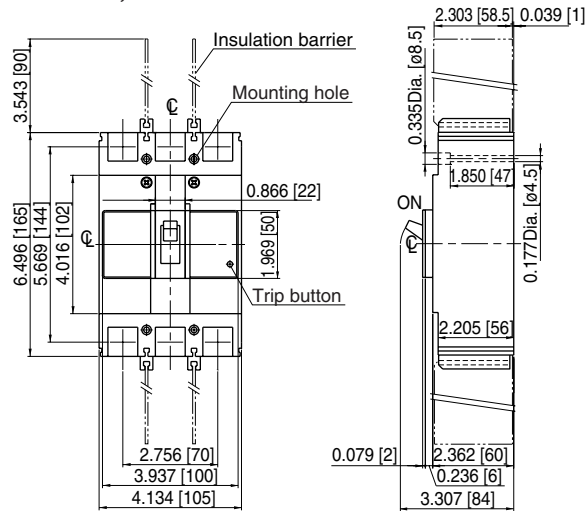


Terminal section

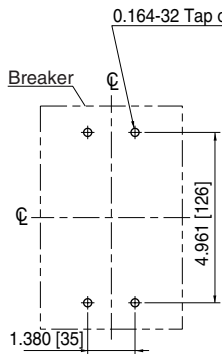


Note: 2-pole breaker is supplied in 3-pole frame with current carrying parts omitted from center pole.

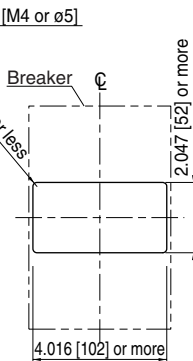
SA202RCUL, SA203RCUL



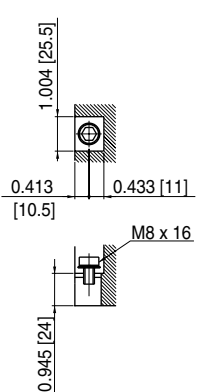
Panel drilling



Front panel cutting

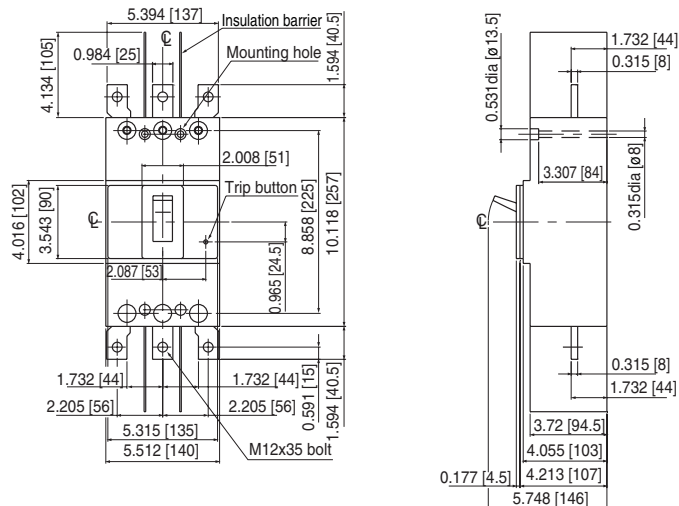


Terminal section

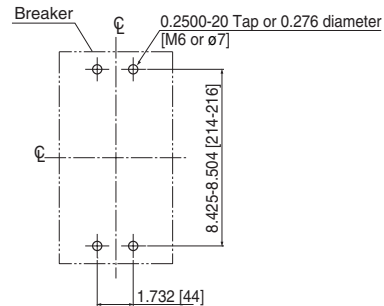


Note: 2-pole breaker is supplied in 3-pole frame with current carrying parts omitted from center pole.

SA402CUL, SA403CUL, SA402RCUL, SA403RCUL



Panel drilling

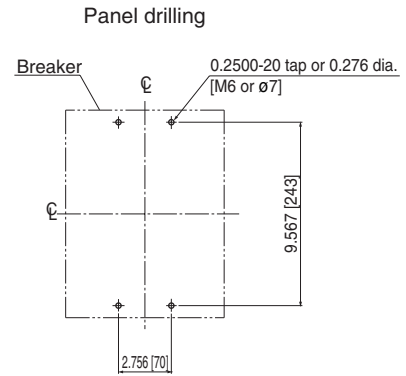
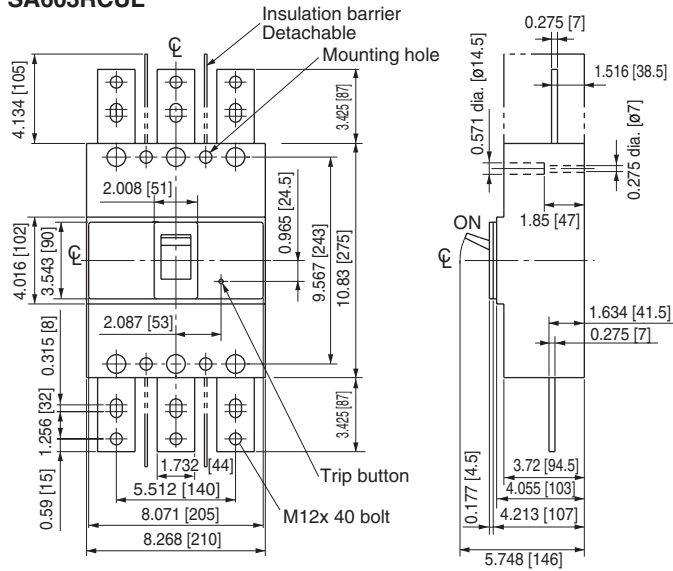


Note: 2-pole breaker is supplied in 3-pole frame with current carrying parts omitted from center pole.

■ Dimensions, inch [mm]

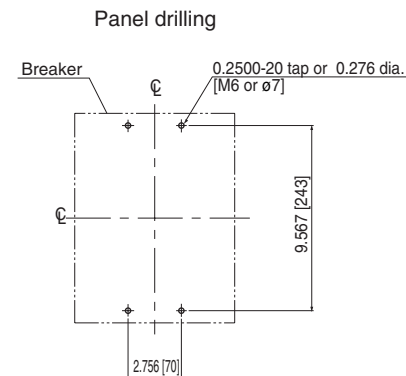
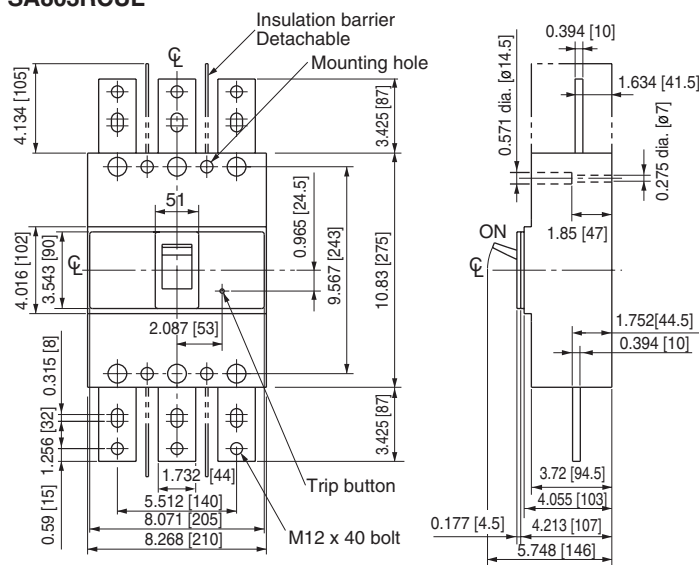
● Front mounting, front connection

SA603RCUL



Note: 2-pole breaker is supplied in 3-pole frame with current carrying parts omitted from center pole.

SA803RCUL



Note: 2-pole breaker is supplied in 3-pole frame with current carrying parts omitted from center pole.

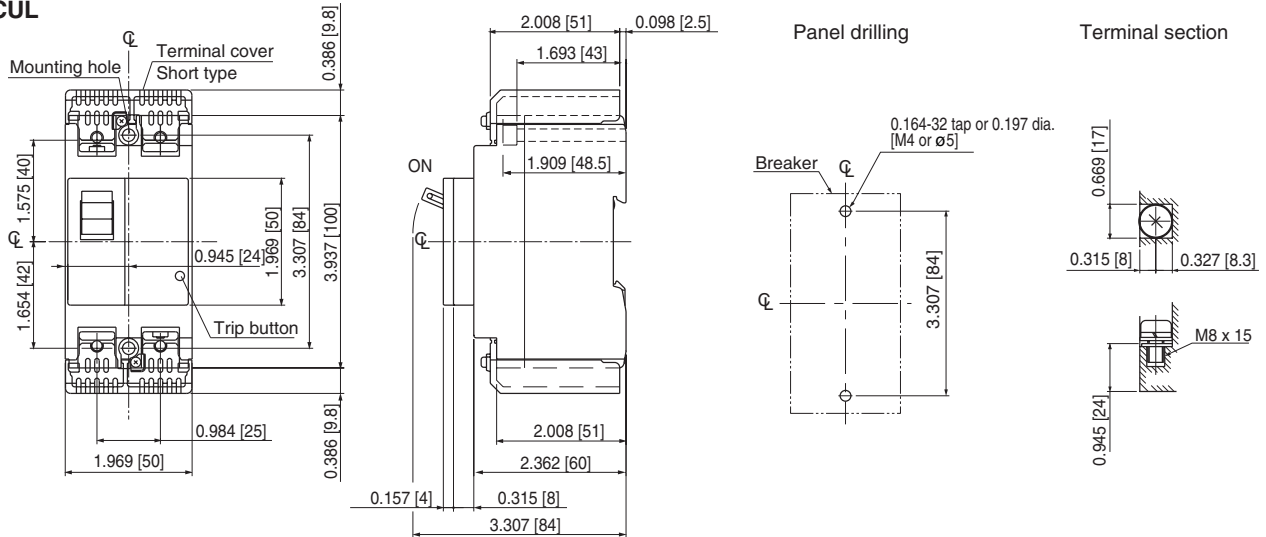
Molded Case Circuit Breakers

Dimensions

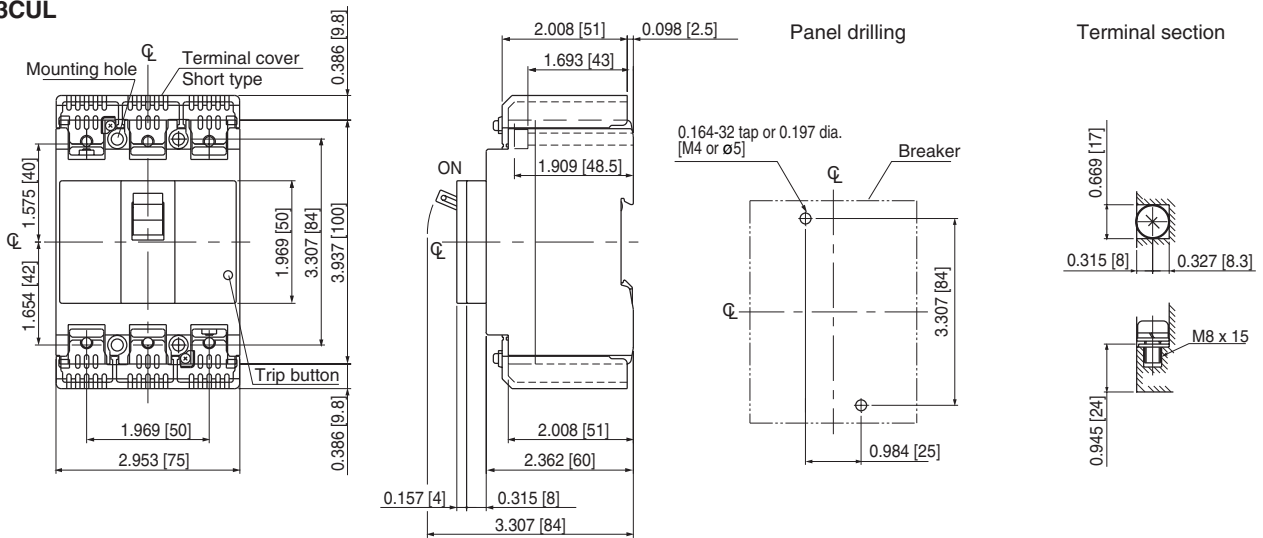
UL Listed

- Dimensions, inch [mm]
- Front mounting, front connection

EA102CUL



EA103CUL



Dimensions for reference only. Confirm before construction begins.