

# Molded Case Circuit Breakers

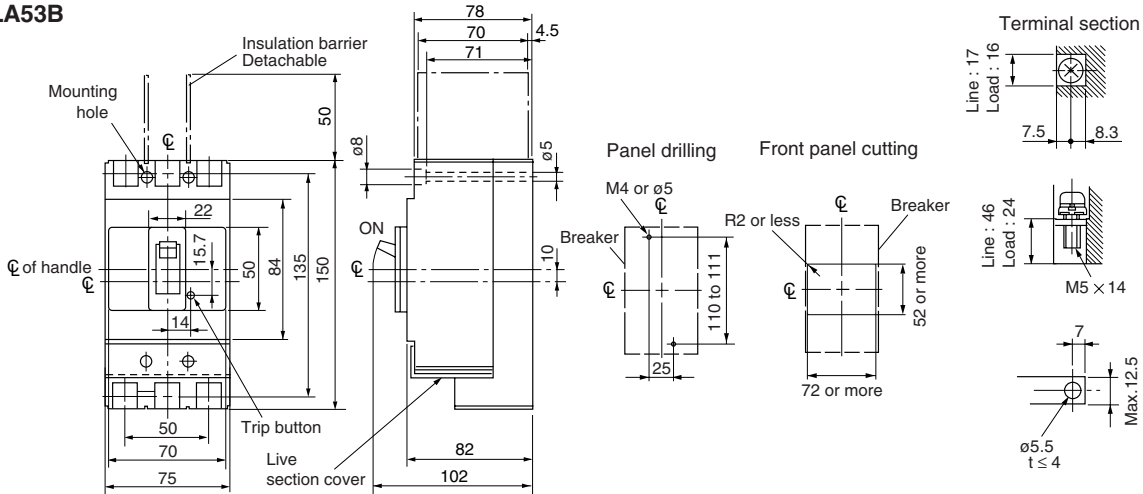
## Dimensions

### L, H series/2, 3-pole

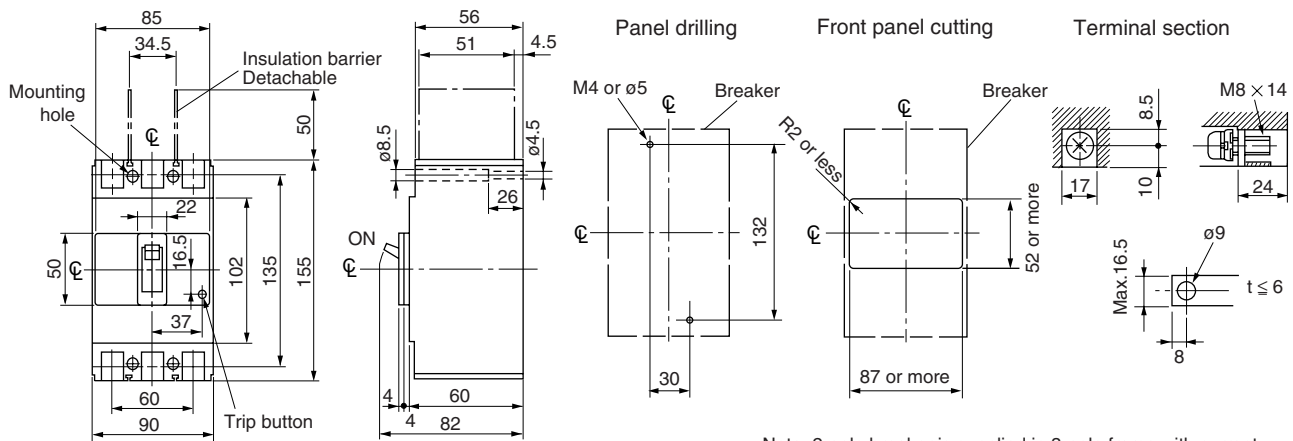
■ Dimensions, mm

● Front mounting, front connection

#### LA53B

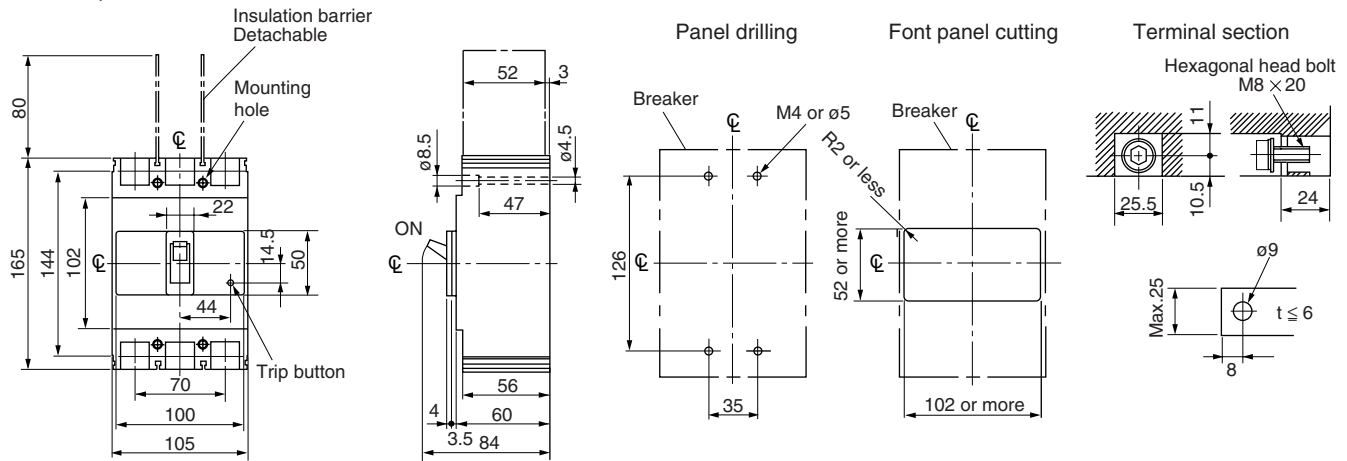


#### H52BA, H53BA, H102BA, H103BA



Note: 2-pole breaker is supplied in 3-pole frame with current carrying parts omitted from center pole.

#### H202BA, H203BA



Note: 2-pole breaker is supplied in 3-pole frame with current carrying parts omitted from center pole.

# Molded Case Circuit Breakers

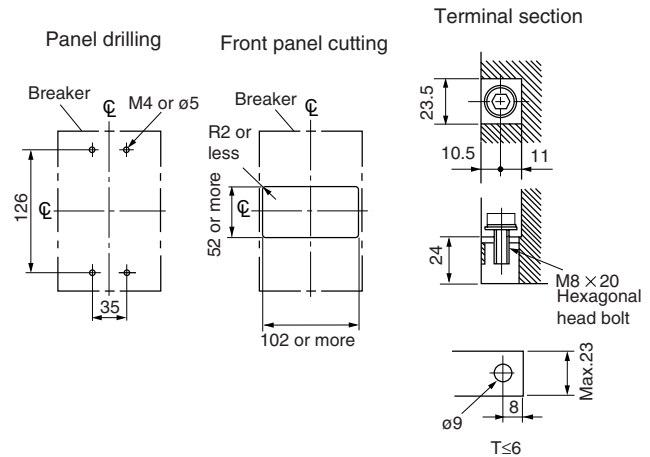
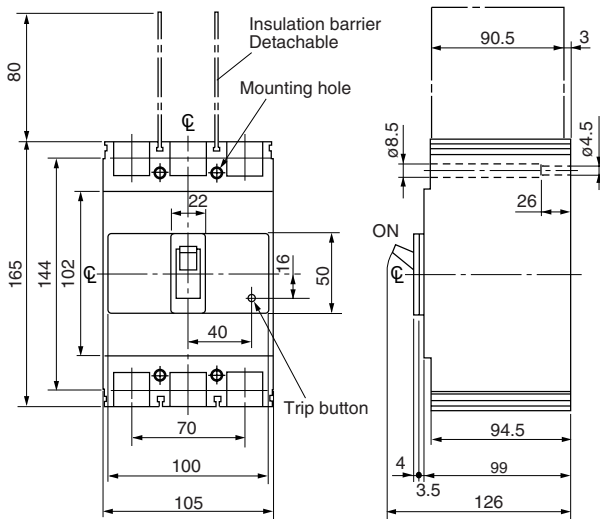
## Dimensions

### H series/2, 3-pole

■ Dimensions, mm

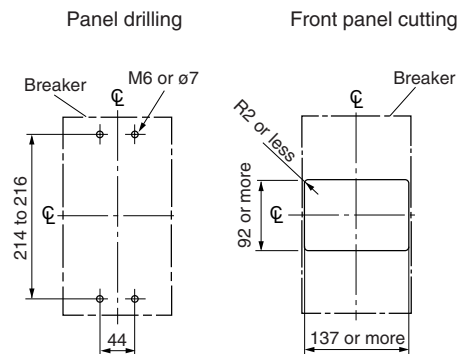
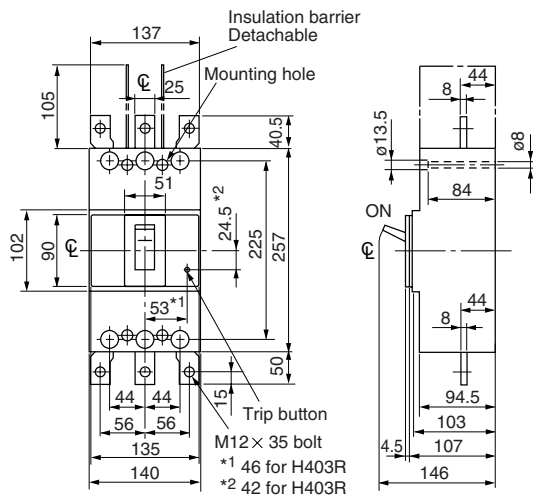
● Front mounting, front connection

H103R, H203R



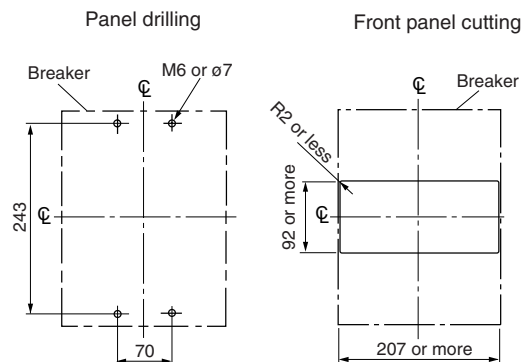
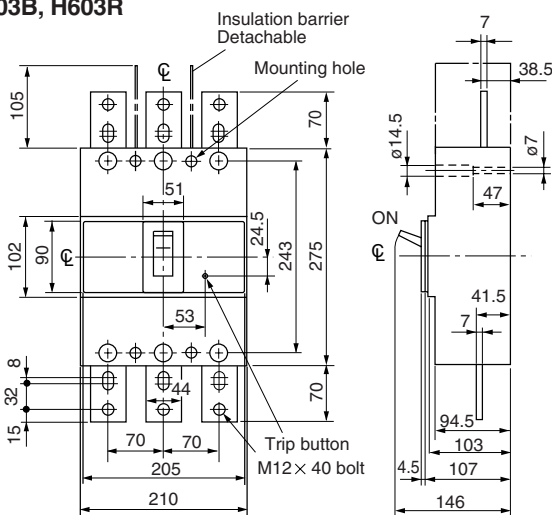
Note: 2-pole breaker is supplied in 3-pole frame with current carrying parts omitted from center pole.

H402B, H403B, H403R



Note: 2-pole breaker is supplied in 3-pole frame with current carrying parts omitted from center pole.

H603B, H603R



# Molded Case Circuit Breakers

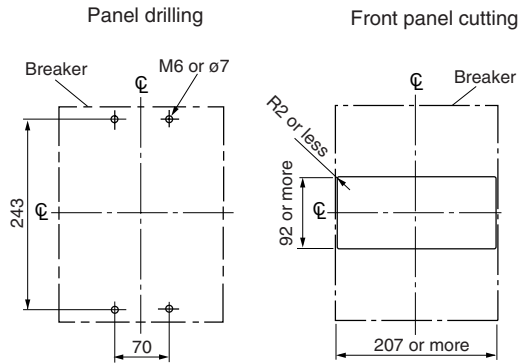
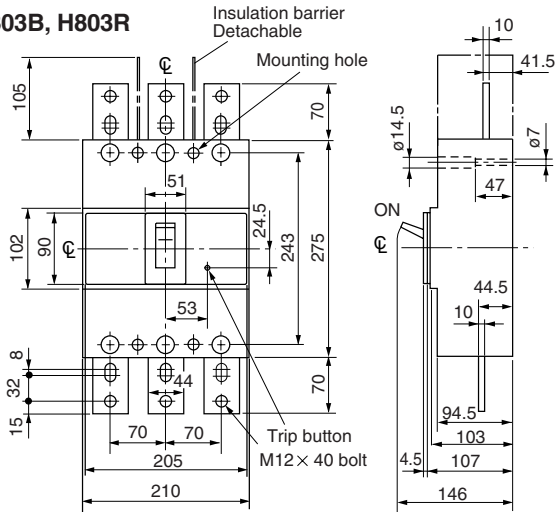
## Dimensions

### H series/2, 3-pole

#### ■ Dimensions, mm

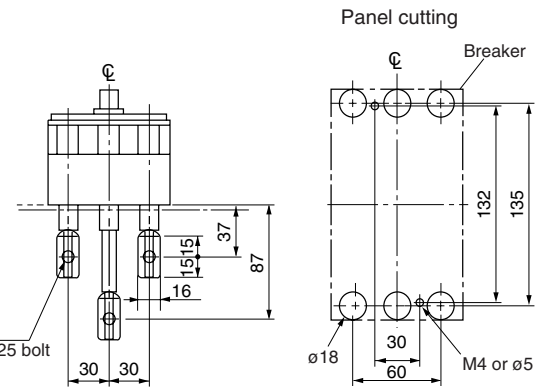
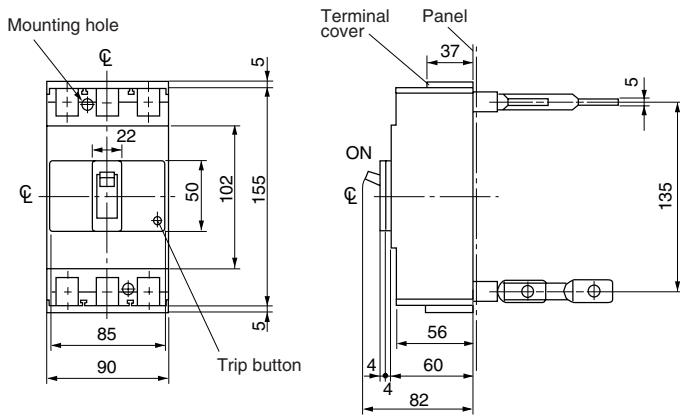
#### ● Front mounting, front connection

##### H803B, H803R



#### ● Front mounting, rear connection (type X)

##### H52BA, H53BA, H102BA, H103BA



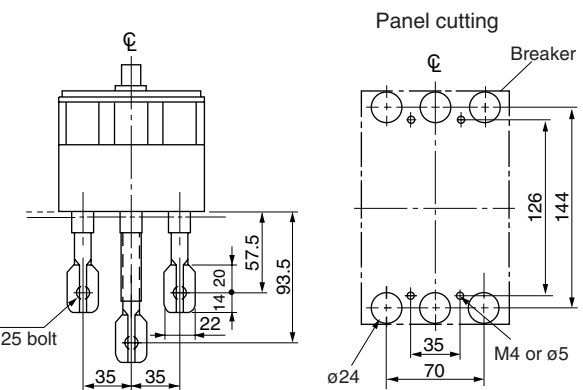
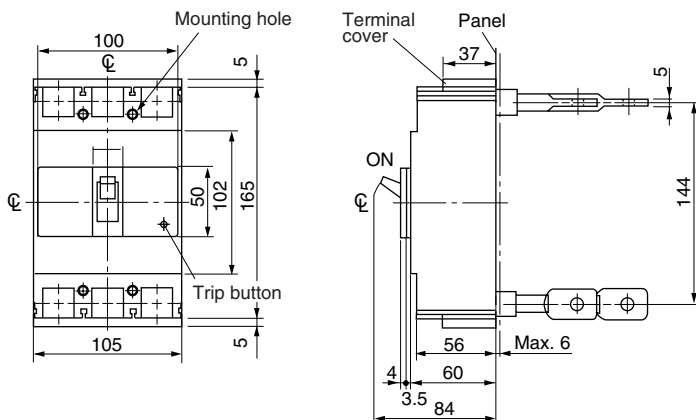
Note: 2-pole breaker is supplied in 3-pole frame with current carrying parts omitted from center pole.

At shipment, studs are mounted on the MCCB unit as shown in the figure for side view.

- Studs for line side terminals : mounted horizontally
- Studs for load side terminals : mounted vertically

Each stud can be mounted both horizontally or vertically.

##### H202BA, H203BA



Note: 2-pole breaker is supplied in 3-pole frame with current carrying parts omitted from center pole.

At shipment, studs are mounted on the MCCB unit as shown in the figure for side view.

- Studs for line side terminals : mounted horizontally
- Studs for load side terminals : mounted vertically

Each stud can be mounted both horizontally or vertically.



# Molded Case Circuit Breakers

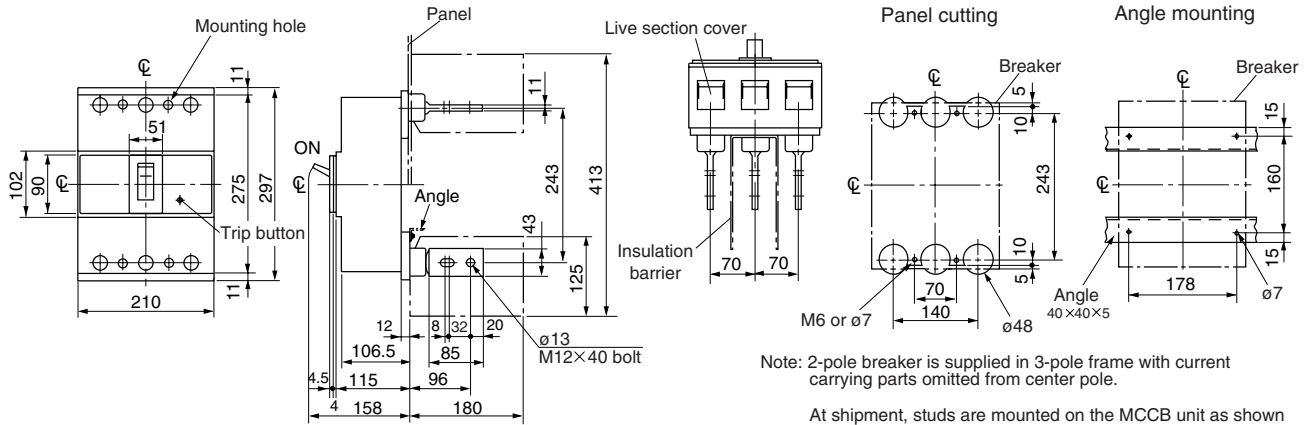
## Dimensions

### H series/ 3-pole

■ Dimensions, mm

● Front mounting, rear connection (type X)

H803B, H803R



Note: 2-pole breaker is supplied in 3-pole frame with current carrying parts omitted from center pole.

At shipment, studs are mounted on the MCCB unit as shown in the figure for side view.

- Studs for line side terminals : mounted horizontally
- Studs for load side terminals : mounted vertically

Each stud can be mounted both horizontally or vertically.

Dimensions for reference only. Confirm before construction begins.