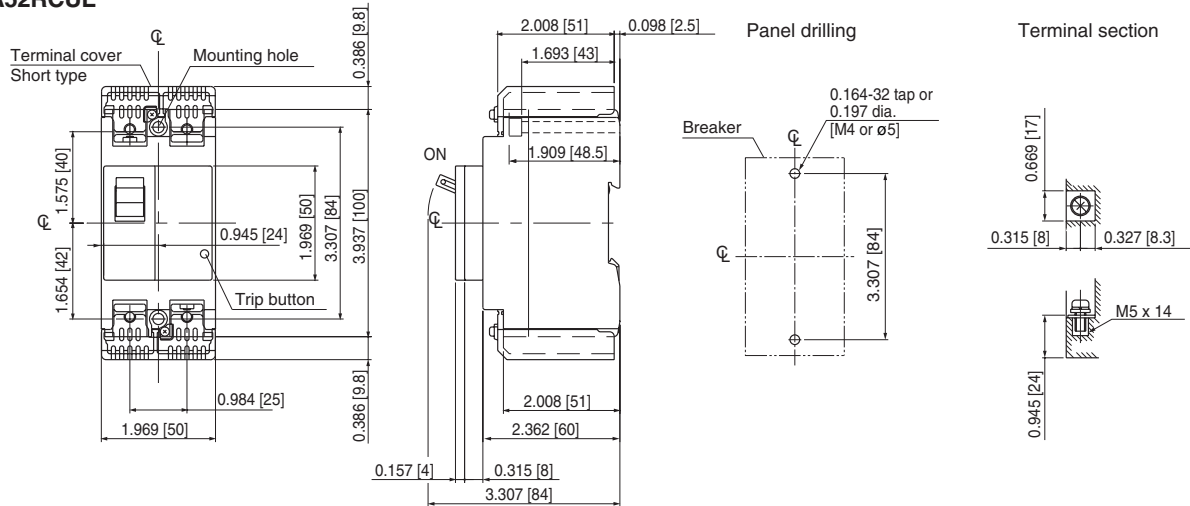
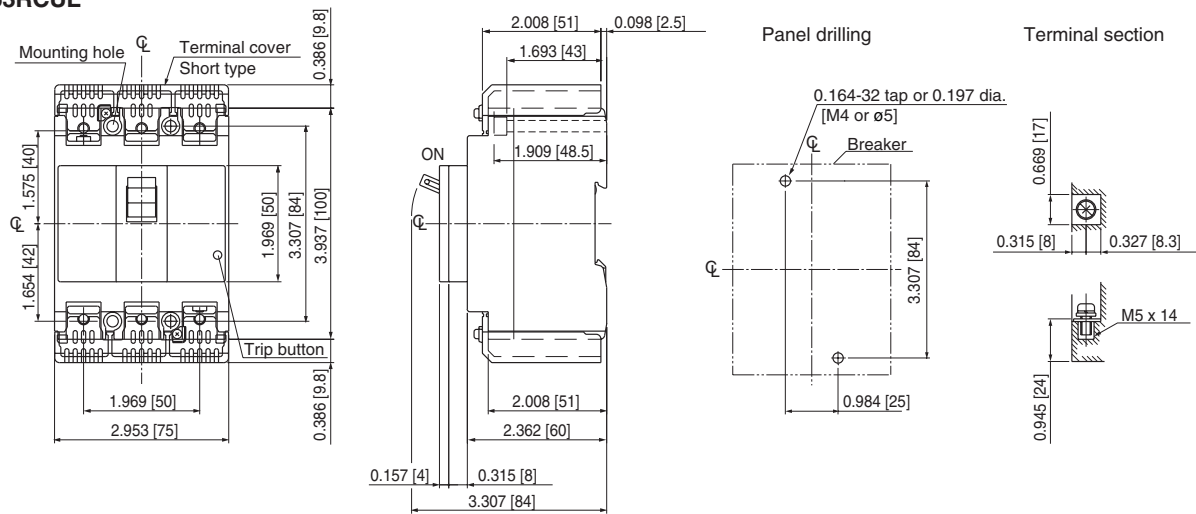


- Dimensions, inch [mm]
- Front mounting, front connection

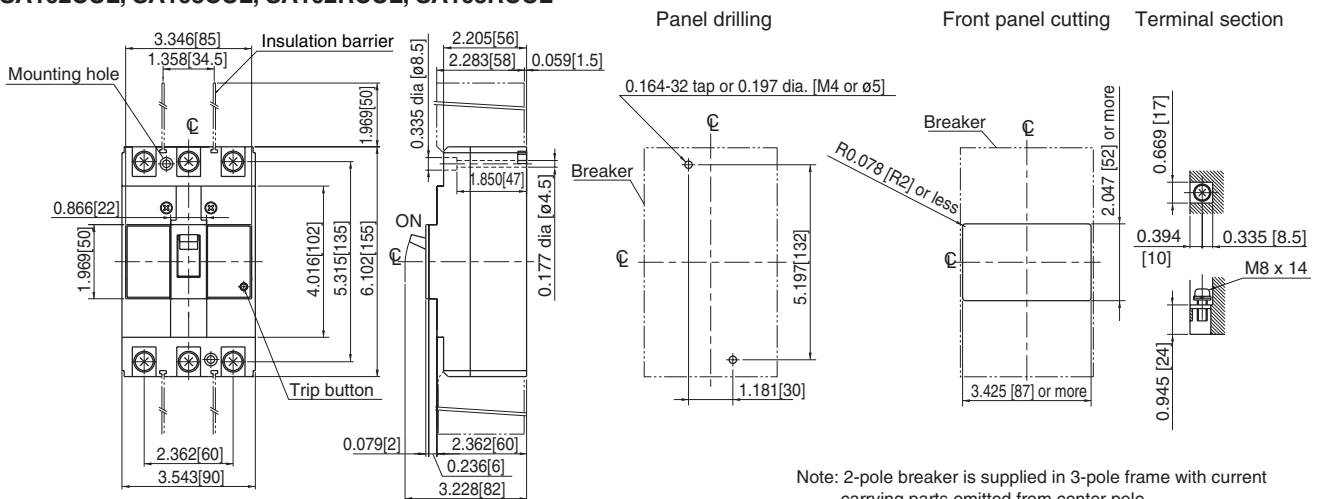
SA52RCUL



SA53RCUL



SA102CUL, SA103CUL, SA102RCUL, SA103RCUL



Note: 2-pole breaker is supplied in 3-pole frame with current carrying parts omitted from center pole.

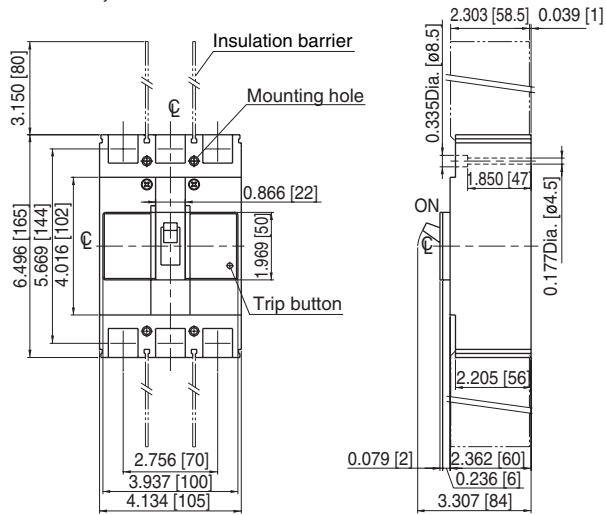
# Molded Case Circuit Breakers

## Dimensions

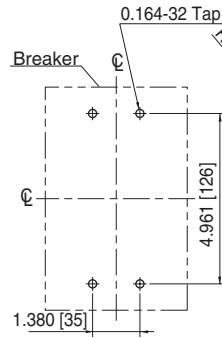
### UL Listed

- Dimensions, inch [mm]
- Front mounting, front connection

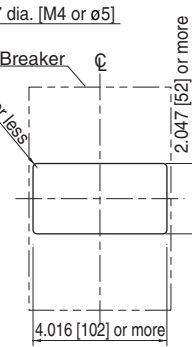
#### SA202CUL, SA203CUL



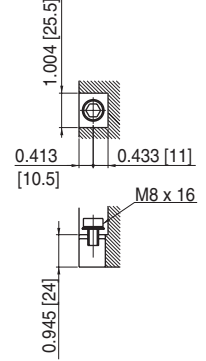
Panel drilling



Front panel cutting

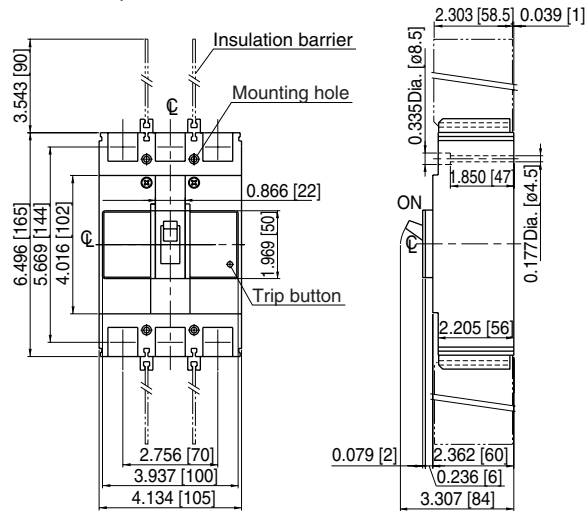


Terminal section

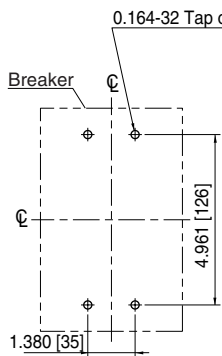


Note: 2-pole breaker is supplied in 3-pole frame with current carrying parts omitted from center pole.

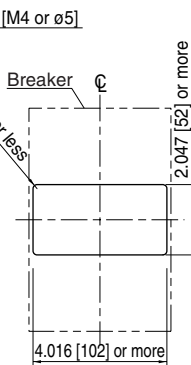
#### SA202RCUL, SA203RCUL



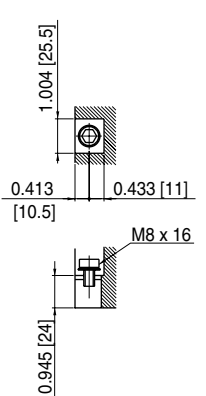
Panel drilling



Front panel cutting

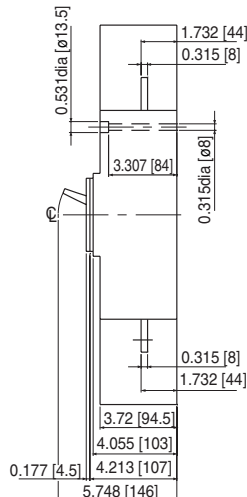
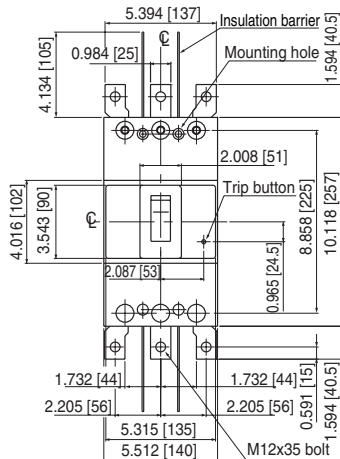


Terminal section

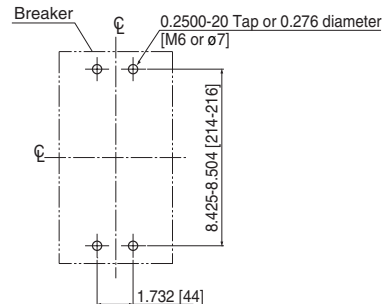


Note: 2-pole breaker is supplied in 3-pole frame with current carrying parts omitted from center pole.

#### SA402CUL, SA403CUL, SA402RCUL, SA403RCUL



Panel drilling

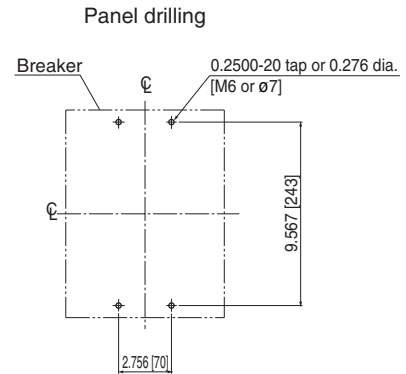
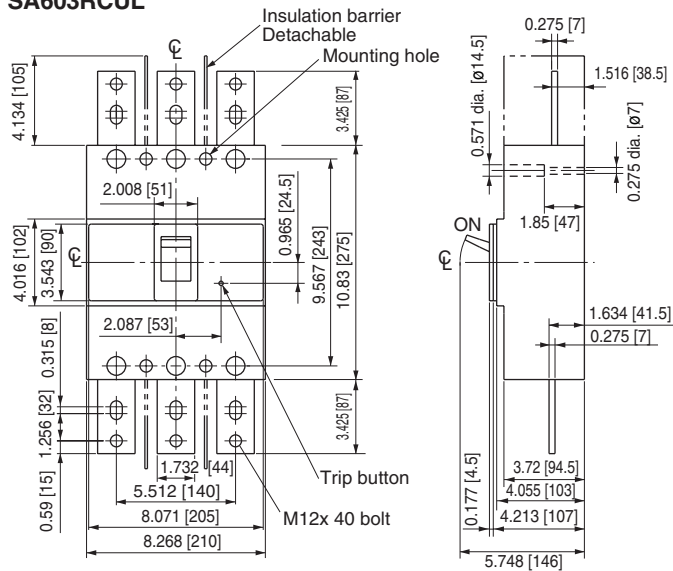


Note: 2-pole breaker is supplied in 3-pole frame with current carrying parts omitted from center pole.

■ Dimensions, inch [mm]

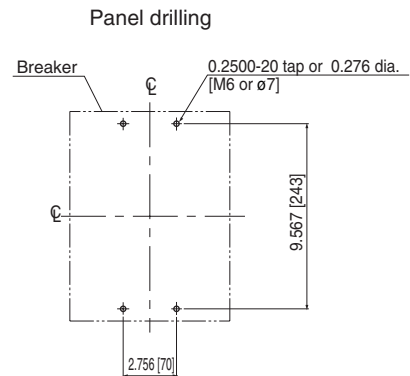
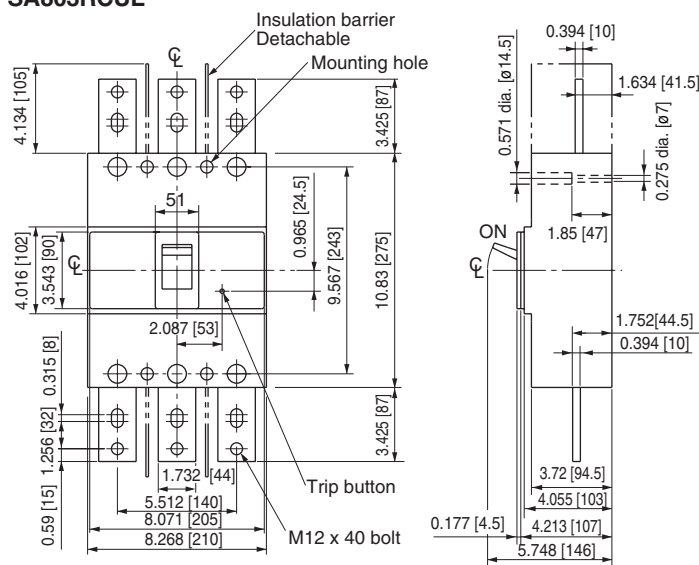
● Front mounting, front connection

**SA603RCUL**



Note: 2-pole breaker is supplied in 3-pole frame with current carrying parts omitted from center pole.

**SA803RCUL**



Note: 2-pole breaker is supplied in 3-pole frame with current carrying parts omitted from center pole.

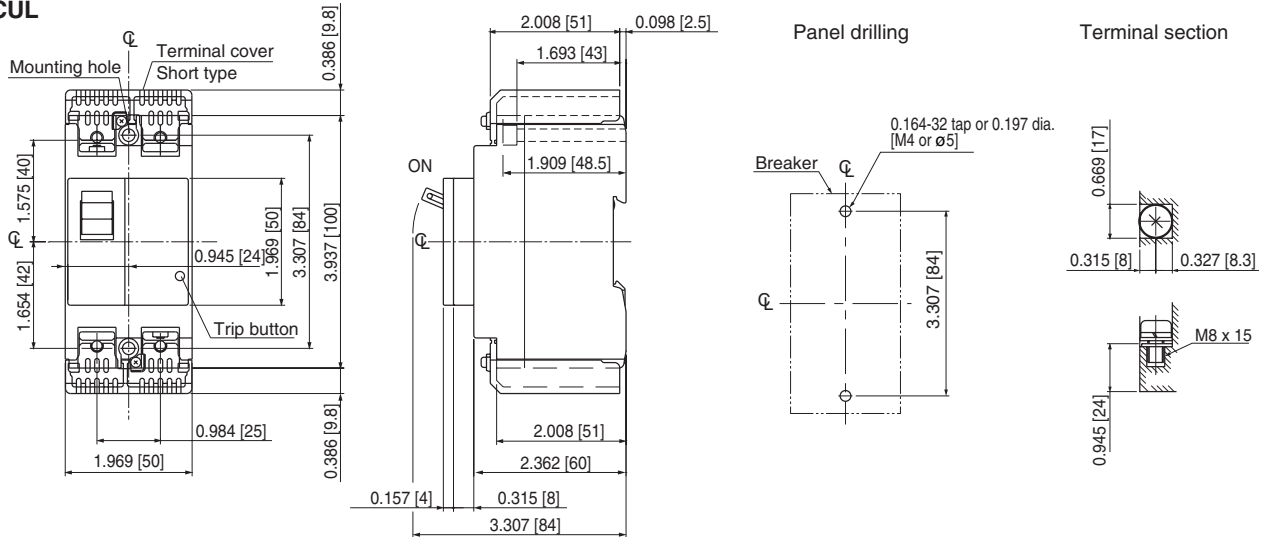
# Molded Case Circuit Breakers

## Dimensions

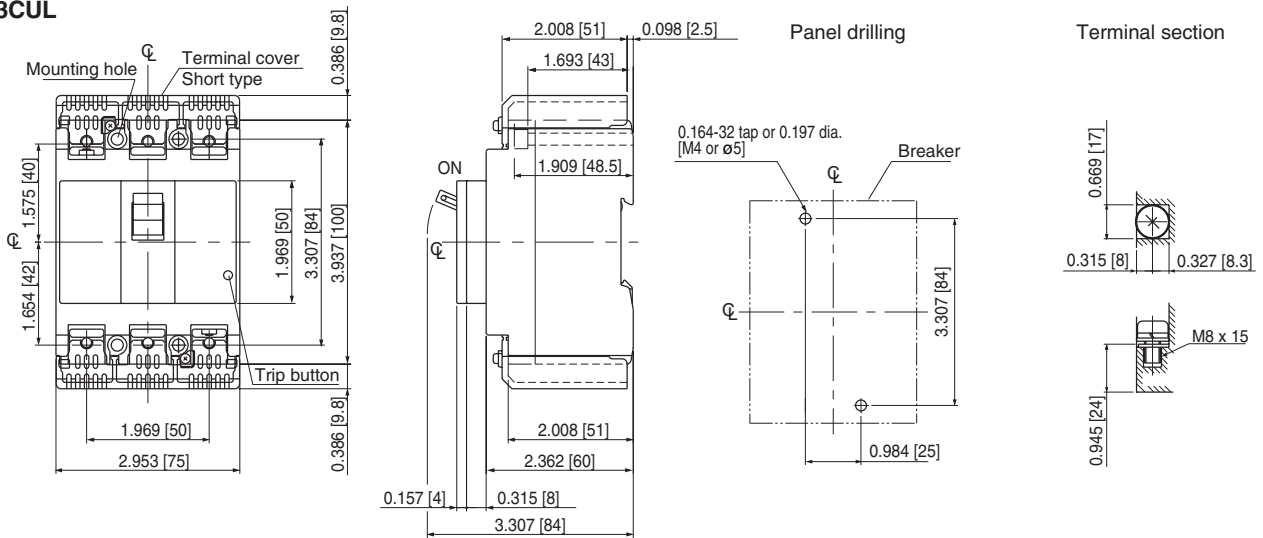
### UL Listed

- Dimensions, inch [mm]
- Front mounting, front connection

#### EA102CUL



#### EA103CUL



Dimensions for reference only. Confirm before construction begins.