

WT2AC AC voltage and current transducers

■ Features

FUJI WT2AC AC voltage and current transducers convert AC voltage/current into DC voltage/current, and also isolate input/output circuits and power supplies.

- Select from an 85 to 264V AC, 24V DC, or 110V DC auxiliary power supply
- Three isolated ports: input, output, and power supply
- Thin profile and excellent cost performance
- Use either IEC 35mm rail mounting or screw mounting
- Screw terminals with cover ensure safe, sure connection.

■ Performance

Accuracy: $\pm 0.4\%$ FS

Temperature characteristic: $\pm 0.2\%/10^\circ\text{C}$ FS(Typical)

Response time: 0.5s max. (0 to 90%)

Insulation resistance: 100M Ω (500V DC megger)

Withstand voltage: 2000V AC 1min

■ Input specifications

	Input signal	Input frequency
Voltage input	0 to 110V AC	50Hz, 60Hz
	0 to 150V AC	
	0 to 300V AC	
Current input	0 to 1A AC	
	0 to 5A AC	

■ Output specifications

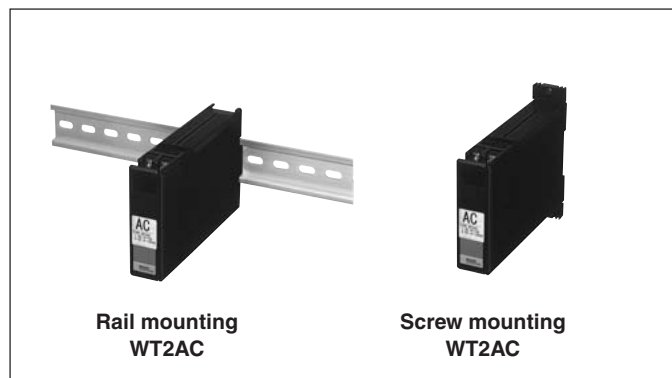
	Output signal	Permissible external resistance
Voltage output	0 to 10mV	10k Ω or more
	0 to 100mV	100k Ω or more
	0 to 1V	200 Ω or more
	0 to 5V DC, 1 to 5V DC	1k Ω or more
	0 to 10V DC	2k Ω or more
Current output	0 to 1mA DC	5k Ω or less
	0 to 5mA DC	3k Ω or less
	0 to 10mA DC	1.5k Ω or less
	0 to 16mA DC	900 Ω or less
	0 to 20mA DC	750 Ω or less
	1 to 5mA DC	3k Ω or less
	2 to 10mA DC	1.5k Ω or less
	4 to 20mA DC	750 Ω or less

Output adjustment: Zero adjustment -5 to $+5\%$
Span adjustment 95 to 105%

■ Ordering information

Specify the following:

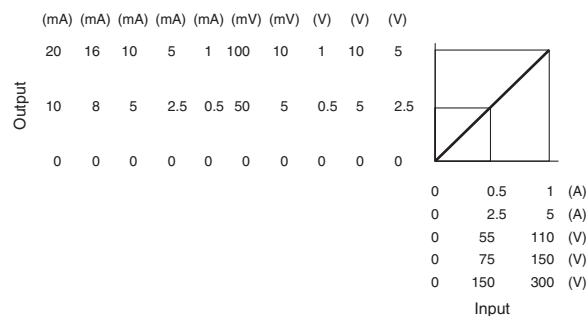
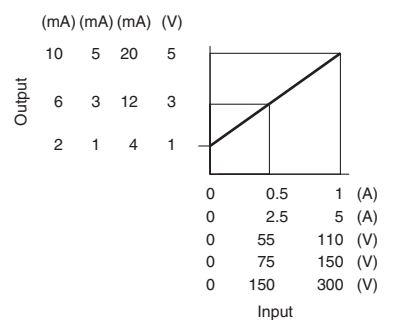
1. Type number



■ Specifications

Type	WT2AC
Terminal connection	M3.5 screw
Housing material	Enclosure: Polycarbonate resin UL94V-0 Terminal: ABS UL94V-0
Insulation resistance	100M Ω (500V DC megger)
Dielectric strength	2000V AC 1min
Auxiliary power supply	85 to 264V $\pm 10\%$ (50/60Hz), approx. 3VA 24V DC $\pm 10\%$, approx. 100mA 110V DC $\pm 10\%$, approx. 30mA
Operating temperature	-5 to $+50^\circ\text{C}$
Operating humidity	90%RH or less (no condensation)
Storage temperature	-20 to $+60^\circ\text{C}$
Storage humidity	90%RH or less (no condensation)

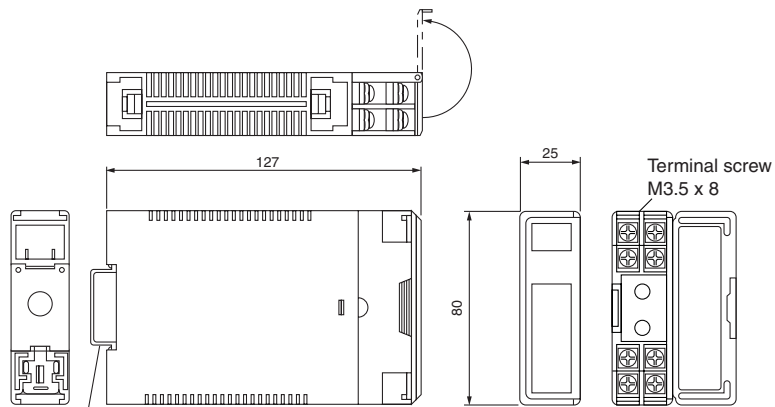
■ Input-output



Transducers WT2AC

■ Dimensions, mm

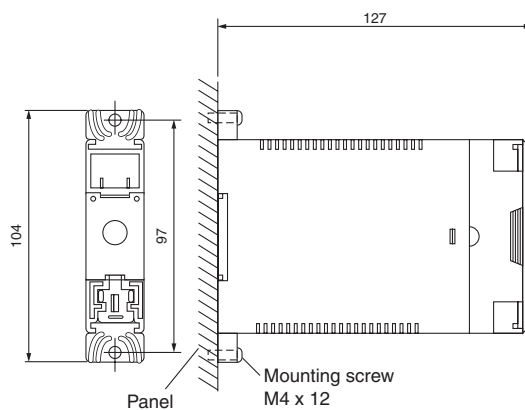
• Rail mounting



35mm wide IEC rail

Mass: Approx. 200g

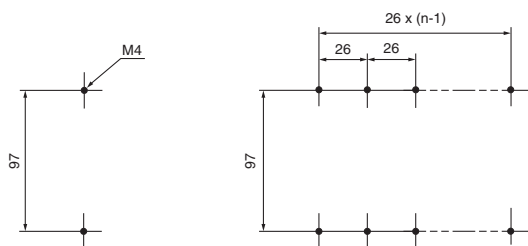
• Screw mounting



Panel drilling

One-unit mounted

n-unit mounted



■ Wiring diagram

