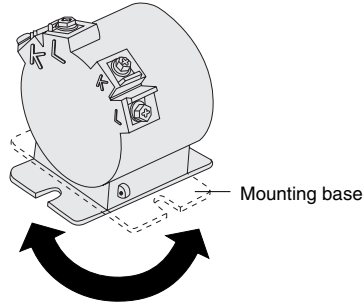


CC3P current transformers with primary winding

Primary current: 5 to 50A
Secondary current: 5A or 1A

■ Description

CC3P CTs support primary winding for easy wiring. The mounting base can be rotated anywhere in a 90° range to facilitate installation. A double-mold structure gives CC3P CTs excellent moisture resistance and good insulation properties. Select from a lineup of three types with rated burdens of 5VA, 15VA, and 40VA.



■ Types and ratings

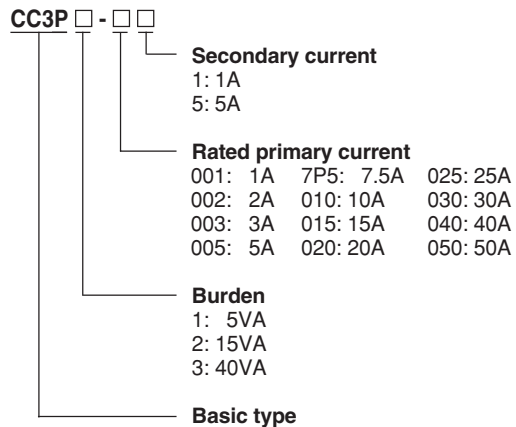
Burden (VA)	Rated primary current (A)	Secondary current (A)	Accuracy class	Thermal limit current	Max. voltage (kV rms.)	Dielectric strength (kV 1 min.)	Mass (kg)	Type
5	1 2 3 5 7.5 10 15 20 25 30	5 or 1	1.0	40 times rated primary current	1.15kV	4.0kV	0.7	CC3P1-001 <input type="checkbox"/>
	CC3P1-002 <input type="checkbox"/>							
								CC3P1-003 <input type="checkbox"/>
								CC3P1-005 <input type="checkbox"/>
								CC3P1-7P5 <input type="checkbox"/>
								CC3P1-010 <input type="checkbox"/>
								CC3P1-015 <input type="checkbox"/>
								CC3P1-020 <input type="checkbox"/>
								CC3P1-025 <input type="checkbox"/>
								CC3P1-030 <input type="checkbox"/>
	40 50	5 or 1	1.0		1.15kV	4.0kV	1.1	CC3P1-040 <input type="checkbox"/>
								CC3P1-050 <input type="checkbox"/>
15	1 2 3 5 7.5 10 15 20 25 30 40 50	5 or 1	1.0	40 times rated primary current	1.15kV	4.0kV	1.1	CC3P2-001 <input type="checkbox"/>
	CC3P2-002 <input type="checkbox"/>							
								CC3P2-003 <input type="checkbox"/>
								CC3P2-005 <input type="checkbox"/>
								CC3P2-7P5 <input type="checkbox"/>
								CC3P2-010 <input type="checkbox"/>
								CC3P2-015 <input type="checkbox"/>
								CC3P2-020 <input type="checkbox"/>
								CC3P2-025 <input type="checkbox"/>
								CC3P2-030 <input type="checkbox"/>
								CC3P2-040 <input type="checkbox"/>
								CC3P2-050 <input type="checkbox"/>
40	1 2 3 5 7.5 10 15 20 30	5 or 1	1.0	40 times rated primary current, 1 second	1.15kV	4.0kV	1.1	CC3P3-001 <input type="checkbox"/>
	CC3P3-002 <input type="checkbox"/>							
								CC3P3-003 <input type="checkbox"/>
								CC3P3-005 <input type="checkbox"/>
								CC3P3-7P5 <input type="checkbox"/>
								CC3P3-010 <input type="checkbox"/>
								CC3P3-015 <input type="checkbox"/>
								CC3P3-020 <input type="checkbox"/>
								CC3P3-030 <input type="checkbox"/>
	40 50	5 or 1	1.0		1.15kV	4.0kV	1.2	CC3P3-040 <input type="checkbox"/>
								CC3P3-050 <input type="checkbox"/>

Notes: * Replace the mark by the secondary current code.
5: 5A 1: 1A

Instrument Transformers

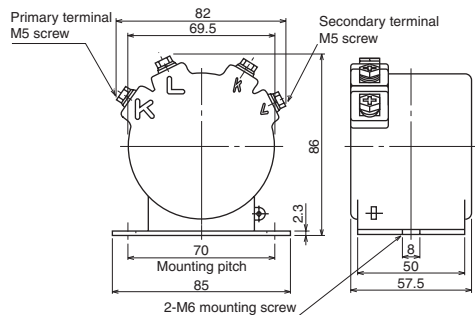
CT with primary winding/CC3P

■ Type number nomenclature



■ Dimensions, mm

CC3P1: 1 to 30A



CC3P1: 40, 50A CC3P2, CC3P3

