

Instrument Transformers

Voltage transformers/CD32, 34

CD32 and CD34 potential transformers

Primary: 220V, 440V
Secondary: 110V

■ Description

The CD32 and CD34 transformers are of double-mold structure that provide excellent characteristics, such as thermal resistance and moisture resistance. VTs with a fuse of a 100kA interrupting capacity have been added to the series. The accuracy class of a type with a rated burden of 15VA is 1.0, 1P and that of a type with a rated burden of 50VA is 3.0, 3P. A transparent insulation cover is available for the terminal and fuse mounting blocks.



■ Types and ratings

Burden (VA)	Primary voltage (V)	Secondary voltage (V)	Accuracy class	Dielectric strength	Fuse*		Applicable load (VA, Max.)	Mass (kg)	Type
					Type	Rating			
15	220, 50/60Hz 440, 50/60Hz	110 110	1.0 · 1P	2000V, 1 minute 3000V, 1 minute	CD3F	600V, 2A(T) IC: 100kA	100	3.5	CD32F-21 CD32F-41
					Not provided				CD32N-21 CD32N-41
50	220, 50/60Hz 440, 50/60Hz	110 110	3.0 · 3P	2000V, 1 minute 3000V, 1 minute	CD3F	600V, 2A(T) IC: 100kA	100	3.5	CD34F-21 CD34F-41
					Not provided				CD34N-21 CD34N-41

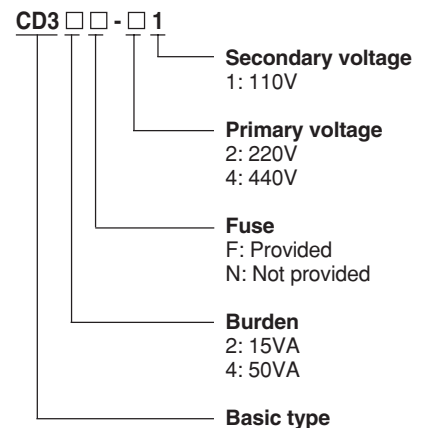
Notes: T: Fuse for transformer protection. IC: Interrupting capacity
* When the load limit is 100VA, the maximum tolerance is 5% or less.

■ Characteristics

Type		CD32F, 34F
Primary voltage (V)		220, 440
Applicable load (VA, max.)	Continuos rating	100
	2-second rating (For transformer protection)	200
Error at max. applicable load (%)	Continuos rating	-5
	2-second rating (For transformer protection)	-10
Fuse	Rated current (A)	T2
	Interrupting capacity (kA)	100
% impedance voltage	% resistance voltage (%)	0.69
	% reactance voltage (%)	0.15
	% impedance voltage (%)	0.71

Note: The 2-second rating is the value provided considering a 10-cycle duty on condition that the current is provided for 0.2s at 1.8s intervals.

■ Type number nomenclature



■ Ordering information

Specify the following:
1. Type number