

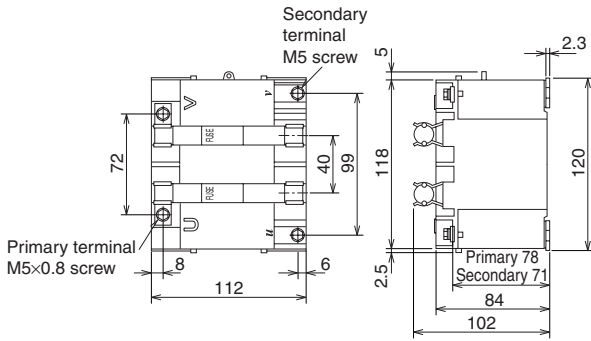
Instrument Transformers

Voltage transformers/CD32, 34

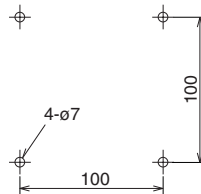
Optional accessories

■ Dimensions, mm

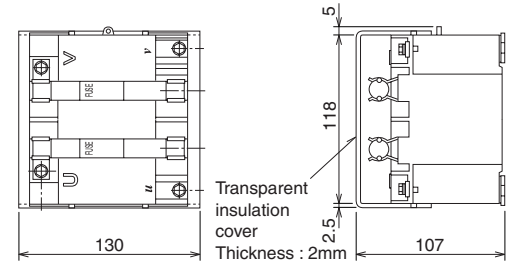
CD32F, CD34F



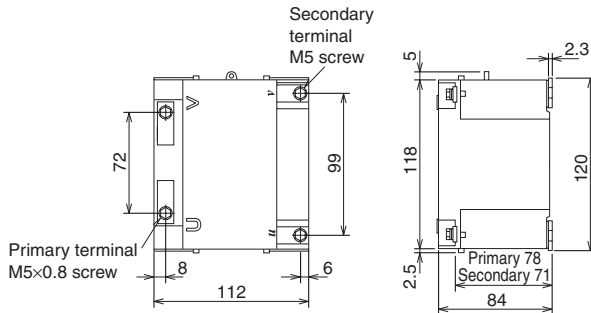
Panel drilling



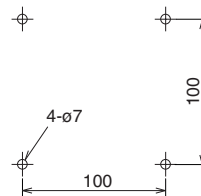
With insulation cover



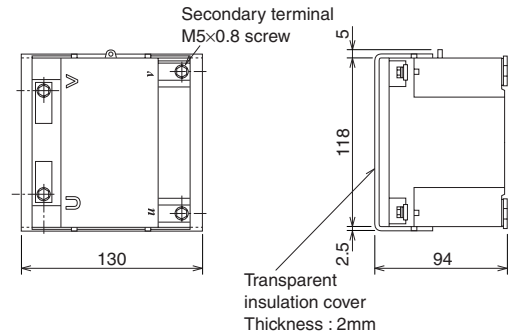
CD32N, CD34N



Panel drilling



With insulation cover

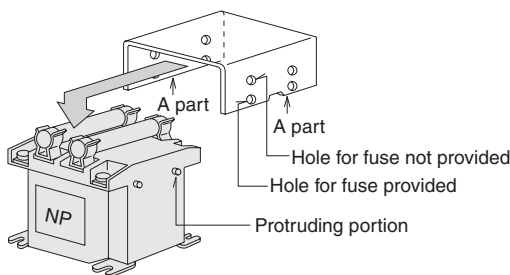


■ Optional accessories

• Insulation cover

Type: **CD3C**

Applicable VT: CD32, 34



Mounting insulation cover

Slightly open the A-part of the insulation cover outward. Mount the cover to the VT so that the protruding portions of the VT are inserted into the holes of the insulation cover.

• Insulation caps for low-voltage current transformer

Type: **SB-4064-23**

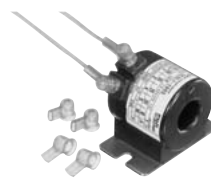
Applicable CT: CC3L, CC3P and CC2N

Insulation caps can be mounted without removing the crimp terminals on the CT.

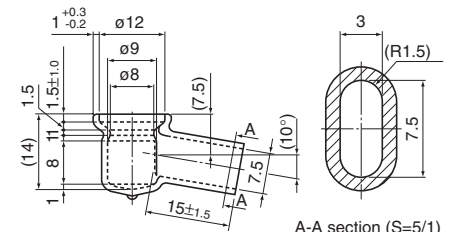
The terminals are completely covered with the insulation caps so that no live part is exposed.

These caps are translucent so that the terminal connections can be checked externally.

Dimensions, mm



AF00-170



A-A section (S=5/1)