




Wattour Meters

Standard type

Standard type wattour meters, single and 3-phase

| | Phase and wiring | No. of elements | Loading capacity (%) | Rated voltage (V) | Basic current (A) | Surface mounting Type |
|--|---------------------|-----------------|----------------------|--|----------------------|--|
|  <p>SP-754</p> <p>F11F</p> | Single-phase 2-wire | 1 | 300 | 100, 110, 120, 127 200, 220, 230, 240 | 10 40 | F11F F12F |
| | | | | Other voltages between 100 and 440V are also available. | | |
|  <p>SP-750</p> <p>F31F</p> | Single-phase 3-wire | 2 | 300 | 100/200 110/220 115/230 Other voltages between 100/200 and 220/440V are also available. | 10 15 20 40 | F21F F22F F22F F22F |
| | 3-phase 3-wire | 2 | 300 | 100, 200, 220, 240 Other voltages between 100 and 440V are also available. | 10 15 20 40 | F31F F32F F32F F32F |
| | 3-phase 4-wire | 3 | 300 | 127/220, 220/380 230/400, 240/415 Other voltages between 58/100 and 265/460V are also available. | 10 15 20 40 | F41F F42F F42F F42F |

Instrument transformer operated type

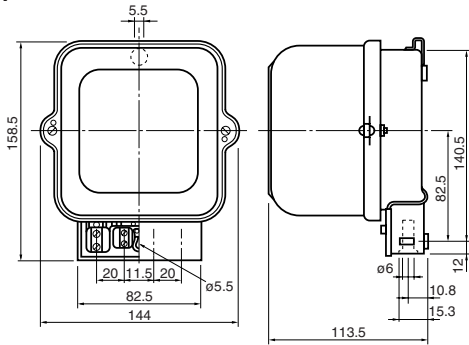
| | Phase and wiring | No. of elements | Loading capacity (%) | Rated voltage (V) | Max. current (A) | Surface mounting Type | Flush mounting Type |
|---|---------------------|-----------------|----------------------|---|------------------|-----------------------|---------------------|
|  <p>SP-875</p> <p>F43F</p> | Single-phase 2-wire | 1 | 120 | 100, 120, 200, 240 □/110*1 | □/5*2 | F13F | F13F-V |
| | Single-phase 3-wire | 2 | 120 | 100 | □/5*2 | F23F | F23F-V |
| | 3-phase 3-wire | 2 | 120 | 200, □/110*1 | □/5*2 | F33F | F33F-V |
| | 3-phase 4-wire | 3 | 120 | 63.5/110, 100/173 110/190, 220/380 240/415, 265/440 | □/5*2 | F43F | F43F-V |

Notes: *1 □ : VT primary voltage

*2 □ : CT primary current

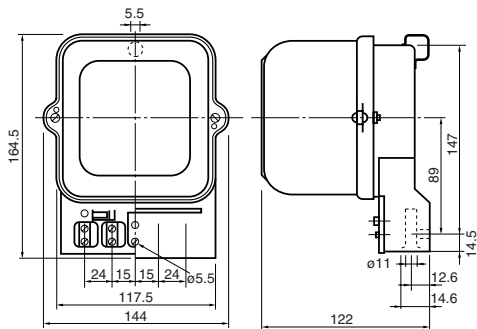
■ Dimensions, mm/surface mounting

F11F



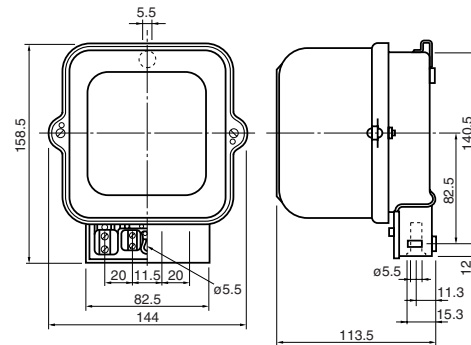
Mass: 1.75kg

F12F



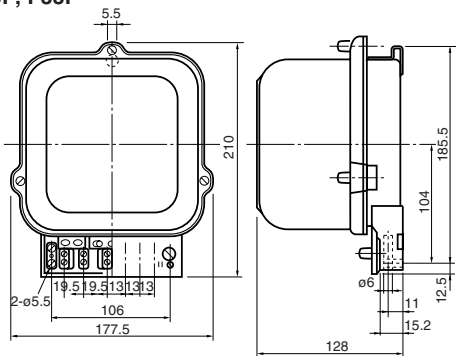
Mass: 2.3kg

F13F



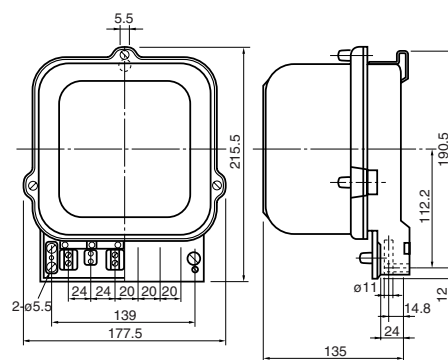
Mass: 1.75kg

F21F, F31F
F23F, F33F



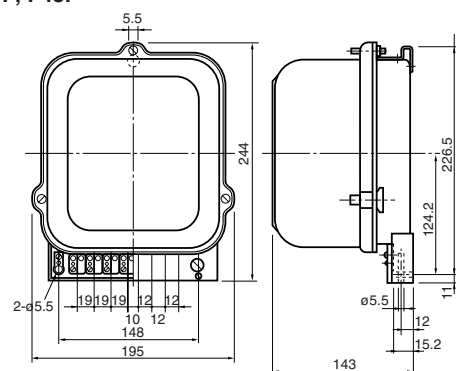
Mass: 3.3kg

F22F, F32F



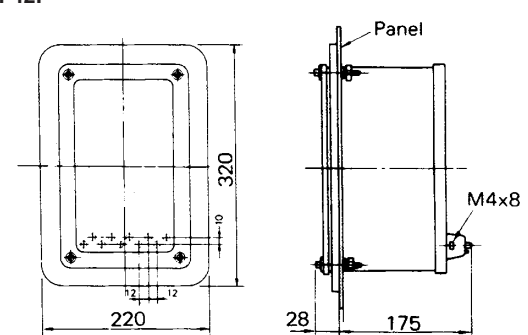
Mass: 4kg

F41F, F43F



Mass: 4.6kg

F42F



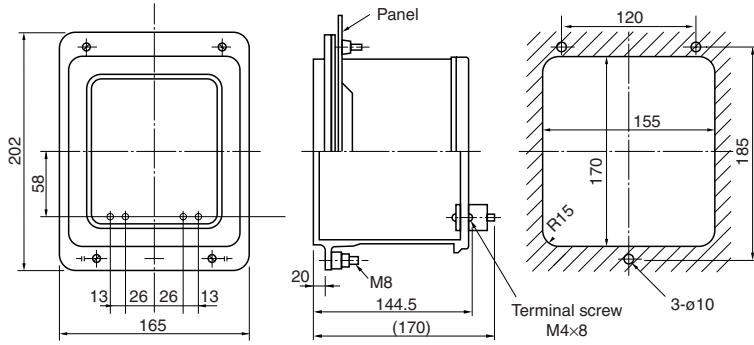
Mass: 5.6kg

Watt-hour Meters Standard type

■ Dimensions, mm/Flush mounting

F13F-V

Panel cutting and drilling

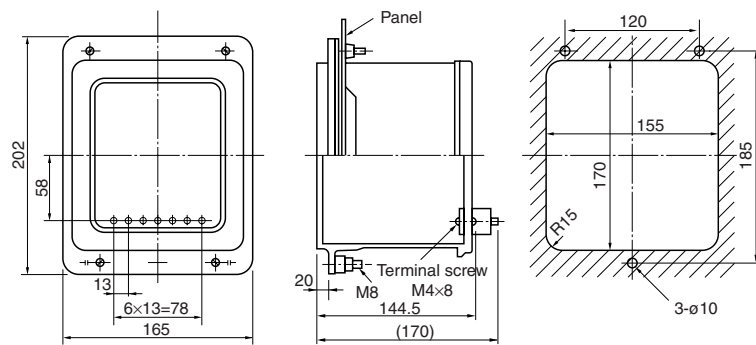


Mass: 2.4kg

F23F-V

F33F-V

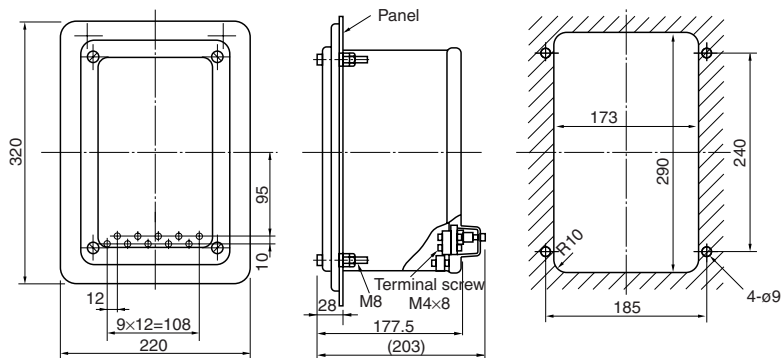
Panel cutting and drilling



Mass: 3.2kg

F43F-V

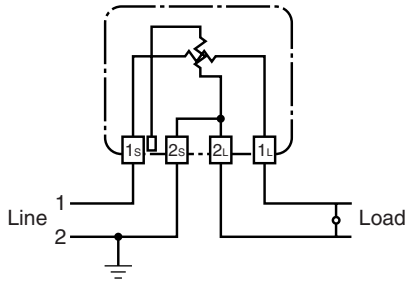
Panel cutting and drilling



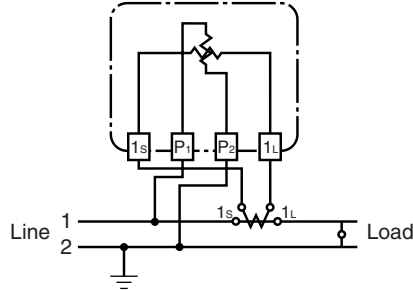
Mass: 4.2kg

■ Wiring diagrams/Surface mounting

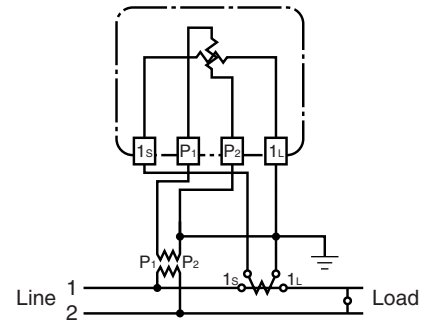
1φ 2W F11F, F12F
Without VT, CT



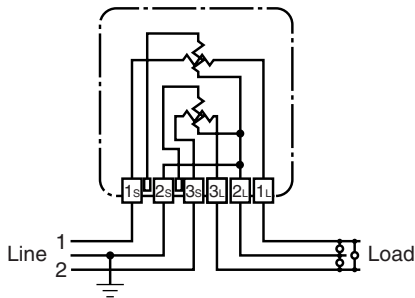
1φ 2W F13F
Connection to CT



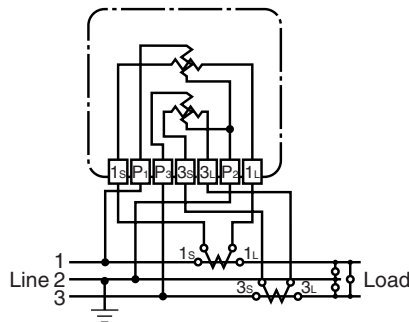
Connection to VT and CT



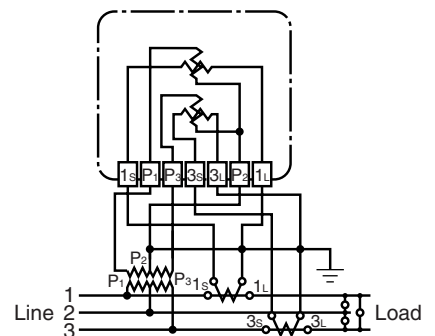
1φ 3W F21F, F22F
3φ 3W F13F, F32F
Without VT, CT



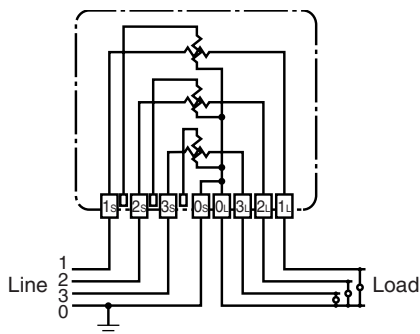
1φ 3W F23F
3φ 3W F33F
Connection to CT



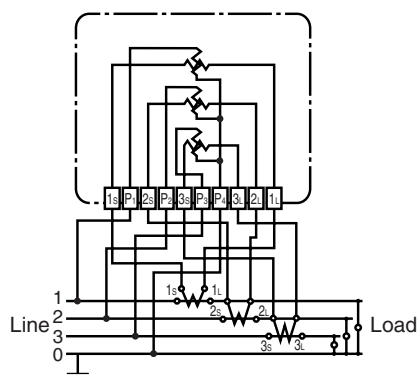
3φ 3W F33F
Connection to VT and CT



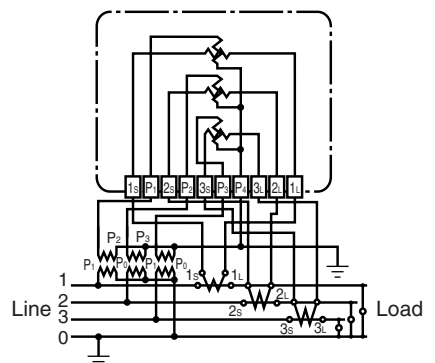
3φ 4W F41F
Without VT, CT



3φ 4W F43F
Connection to CT



Connection to VT and CT



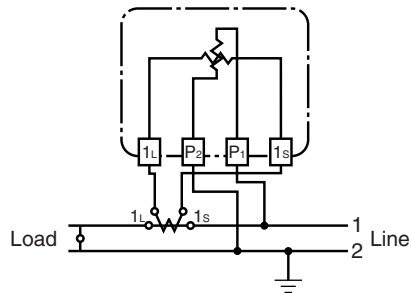
Watt-hour Meters

Standard type

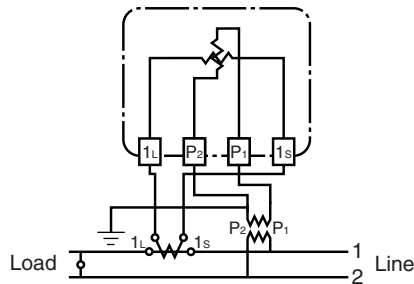
■ Wiring diagrams/Flush mounting

1 ϕ 2W F13F-V

Connection to CT



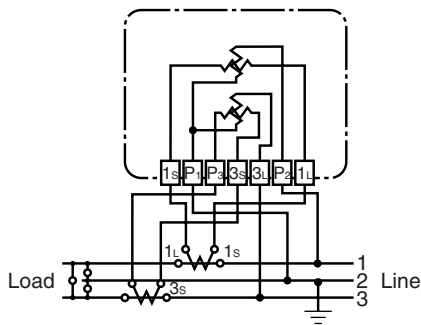
Connection to VT and CT



1 ϕ 3W F23F-V

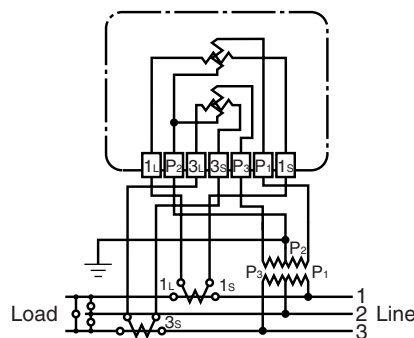
3 ϕ 3W F33F-V

Connection to CT



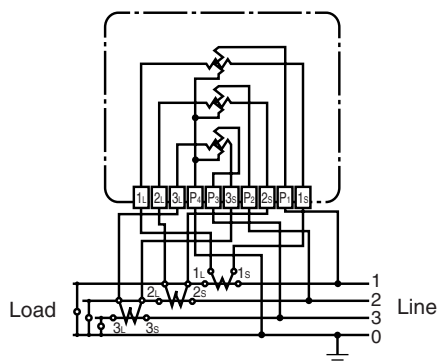
3 ϕ 3W F33F-V

Connection to VT and CT



3 ϕ 4W F43F

Connection to CT



Connection to VT and CT

