

# AC Power Regulators

## APR-L series

### Three-phase AC power regulators, APR-L series

#### ■ Description

The APR-L series is a compact, light-weight three-phase AC power regulator.

It has various parameter setting types, and it is suitable for automatic control of heater and incandescent lighting.

#### ■ Features

- Very compact and light-weight.
- Highly reliable and long lasting (Uses solid-state components.)  
Suitable for use in quiet places (Generates little audible noise.)
- 10 types of operation parameters enable flexible automatic control.

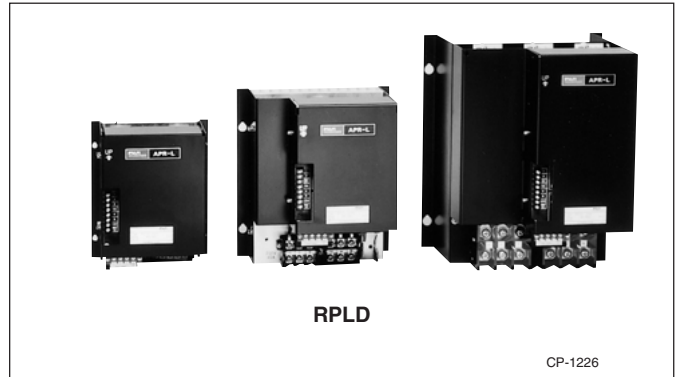
#### ■ Types and ratings

Input voltage	Output current	Type
Three-phase 200V AC	20A	RPLD2020-□
	40A	RPLD2040-□
	60A	RPLD2060-□
	100A	RPLD2100-□
Three-phase 400V AC	20A	RPLD0020-□
	40A	RPLD0040-□
	60A	RPLD0060-□
	100A	RPLD0100-□

Note: Replace the □ mark by the parameter setting code shown in the Table at the right.

#### ■ Specifications

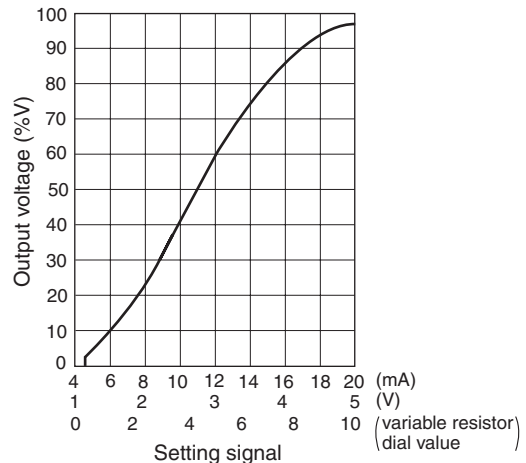
Input	Voltage and frequency	200 to 220V, 380V, 400 to 440V 50/60Hz (selectable)
	Allowable voltage and frequency fluctuation	Voltage: $\pm 10\%$ of input voltage Frequency: $\pm 1\text{Hz}$
Output voltage adjustable range		0 to 98% of input voltage
Gradient setting range		0 to 100% of setting signal
H-L control range		0 to 100%
Ambient temperature		-10 to +55°C (Output current should be derated when used above 40°C)
Applicable load		Resistive load
Output voltage setting		Variable resistor: 1k $\Omega$ Current signal: 4 to 20mA (250 $\Omega$ ) Voltage signal: 1 to 5V
Cooling		Self-cooled
Withstand voltage (between input and ground terminals)		200/220V: 2000V, 1 minute
		380V, 400/440V: 2500V, 1 minute
Insulation resistance		5M $\Omega$ or more (500V DC megger)
Short-circuit protection		Super rapid fuse (external mounting)
Time to soft-startup and soft-increase/decrease		0.5 seconds



#### ● Parameter setting type code (□)

Code	Parameter setting type
N	Current signal: 4 to 20mA DC Voltage signal: 1 to 5V DC
A	Variable resistor
B	Two-point control
C	Code N + gradient setting
E	Code A or C (switchable)
F	Code A or N (switchable)
Z	Non-standard current and voltage signals (custom spec.)

#### ■ Voltage output characteristics for resistive load (typical)

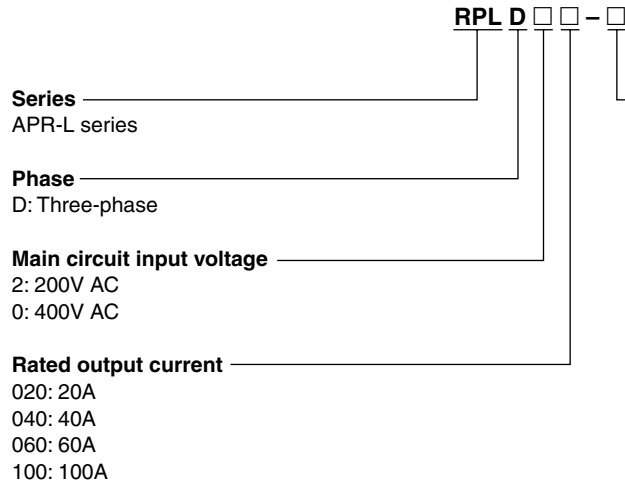


#### ■ Ordering information

Specify the following:

1. Type number
2. Special specification

## ■ Type number nomenclature

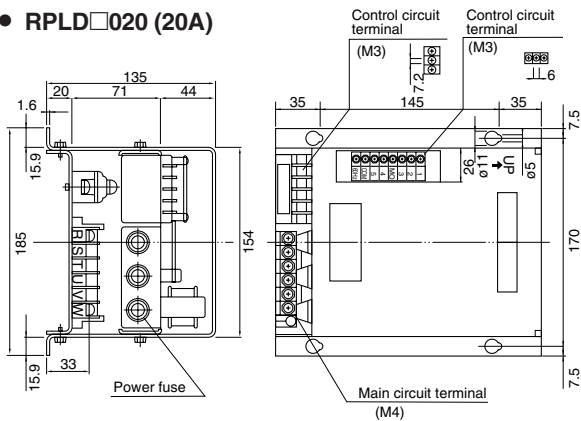


## Parameter setting

- N: Current signal 4 to 20mA DC, Voltage signal: 1 to 5V DC
- A: Variable resistor
- B: Two-point control (high-low)
- C: Code N + gradient setting
- E: Code A or C switchable
- F: Code A or N switchable
- Z: Non-standard current and voltage signals

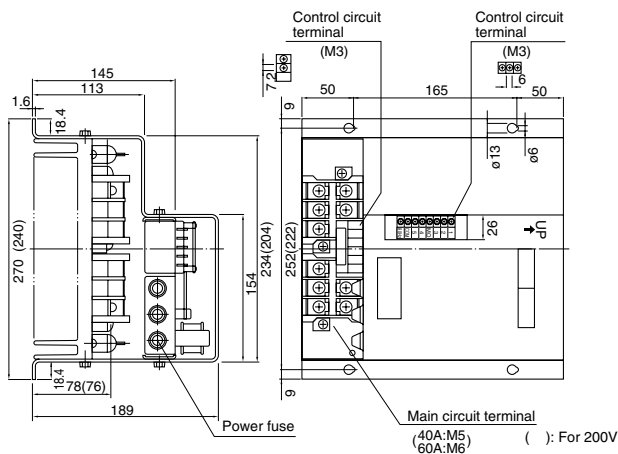
## ■ Dimensions, mm

### ● RPLD □ 020 (20A)



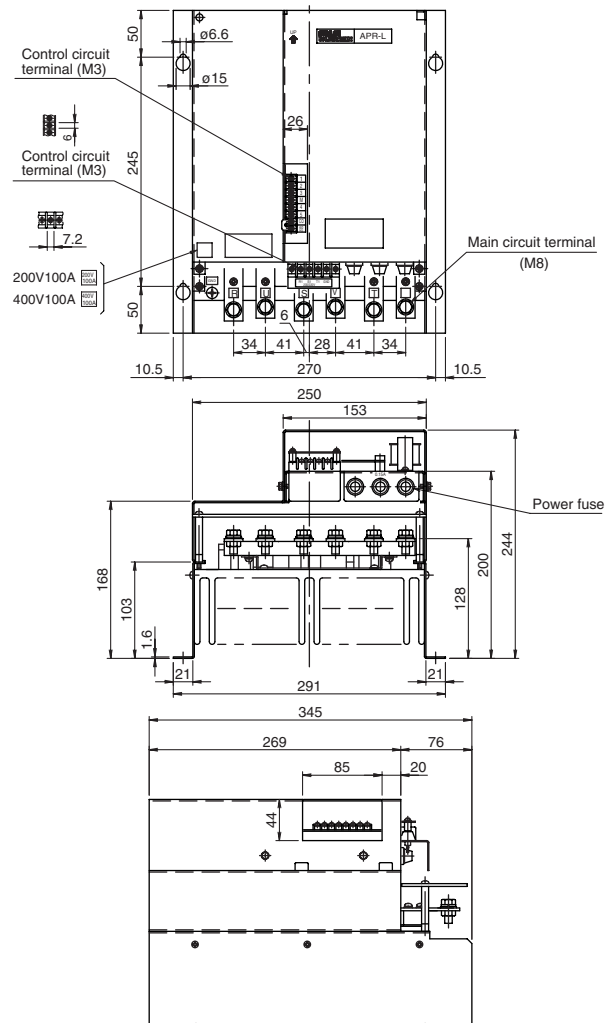
Mass: 3.4kg

### ● RPLD □ 040, 060 (40A, 60A)



Mass: 200V 7.7kg, 400V 8.4kg

### ● RPLD □ 100 (100A)



Mass: 11.5kg