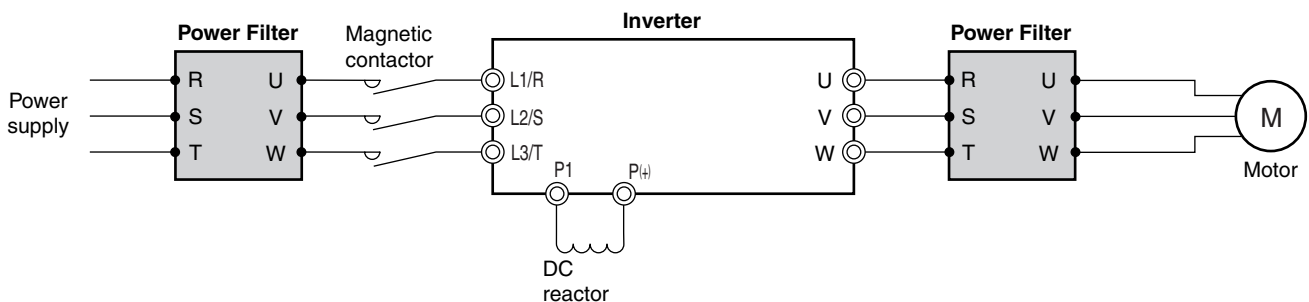


# Noise Suppression Filters

## Application

### ■ Application to inverters/Standard types

Circuit voltage	Applicable inverter capacity (kW)	Input circuit Power Filter		Output circuit Power Filter
		With DC reactor	Without DC reactor	
3-phase 200V 50/60Hz	0.2	RNFTC06-20	RNFTC06-20	RNFTS05-20
	0.4			
	0.75		RNFTC10-20	
	1.5		RNFTC20-20	RNFTS10-20
	2.2	RNFTC10-20		RNFTS20-20
	3.7	RNFTC20-20	RNFTC30-20	
	5.5		RNFTC50-20	RNFTS30-20
	7.5	RNFTC30-20	RNFMC75-20	RNFTS50-20
	11	RNFTC50-20	RNFMC1H-20	
	15	RNFMC75-20		RNFMS60-20
	18.5		RNFMCH1-20	RNFMS75-20
	22	RNFMC1H-20		RNFMS90-20
	30	RNFMCH1-20	RNFMC2H-20	—
	37		RNFMC3H-20	
	45	RNFMC2H-20		
	55			
75	RNFMC3H-20	—		
90	RNFMC4H-20			
110	—			
3-phase 400V 50/60Hz	0.4	RNFTC06-40	RNFTC06-40	RNFTS10-40
	0.75			
	1.5		RNFTC10-40	
	2.2		RNFTC20-40	
	3.7	RNFTC10-40	RNFTC30-40	RNFTS20-40
	5.5		RNFTC50-40	
	7.5	RNFTC20-40		RNFTS25-40
	11		RNFTC50-40	
	15	RNFTC30-40	RNFMC75-40	RNFTS30-40
	18.5	RNFTC50-40		RNFTS40-40
	22			RNFTS45-40
	30	RNFMC75-40	RNFMC1H-40	RNFMS75-40
	37		RNFMCH1-40	
	45	RNFMC1H-40		RNFMS1H-40
	55			
	75	RNFMCH1-40	—	—
	90	RNFMC2H-40		
	110			
	132	RNFMC3H-40		
160				
200	RNFMC4H-40			
220				



## ■ Application to inverters/High performance types

Circuit voltage	Applicable inverter capacity (kW)	Input circuit Power Filter		Output circuit Power Filter
		With DC reactor	Without DC reactor	
3-phase 200V 50/60Hz	0.2	RNFHA05-20	RNFHA05-20	RNFTS05-20
	0.4			
	0.75		RNFHA10-20	
	1.5	RNFHA10-20	RNFHA20-20	RNFTS10-20
	2.2			RNFTS20-20
	3.7	RNFHA20-20	RNFHA30-20	
	5.5		RNFHA50-20	RNFTS30-20
	7.5	RNFHA30-20	RNFHA75-20	RNFTS50-20
	11	RNFHA50-20	RNFHA1H-20	
	15	RNFHA75-20		RNFMS60-20
	18.5		-	RNFMS75-20
22	RNFHA1H-20		RNFMS90-20	
3-phase 400V 50/60Hz	0.4	RNFHA05-40	RNFHA05-40	RNFTS10-40
	0.75			
	1.5			
	2.2		RNFHA10-40	
	3.7	RNFHA10-40	RNFHA20-40	
	5.5		RNFHA30-40	RNFTS20-40
	7.5	RNFHA20-40		
	11		RNFHA50-40	RNFTS25-40
	15	RNFHA30-40	RNFHA75-40	RNFTS30-40
	18.5	RNFHA50-40		RNFTS40-40
	22			RNFTS45-40
	30	RNFHA75-40	RNFHA1H-40	RNFMS75-40
	37		-	
	45	RNFHA1H-40		RNFMS1H-40
	55			-

## ■ Applicable to servo systems/Input circuit standard types

Circuit voltage	FALDIC series servo amplifier			Power Filter
	Capacity (kW)	FALDIC- $\alpha$	FALDIC- $\beta$	
3-phase 200V	0.05	RYS500S3	RYB500S3-VBC	RNFTC06-20
	0.1	RYS101S3	RYB101S3-VBC	
	0.2	RYS201S3	RYB201S3-VBC	
	0.4	RYS401S3	RYB401S3-VBC	
	0.75	RYS751S3	RYB751S3-VBC	RNFTC20-20
	1.0	RYS102S3	-	
	1.5	RYS152S3		
	2.0	RYS202S3		
	3.0	RYS302S3	-	RNFTC30-20
	4.0	RYS402S3	-	RNFTC50-20
5.0	RYS502S3			
Single-phase 100V	0.05	RYS500S3	RYB500S3-VBC6	RNFTC06-20
	0.1	RYS101S3	RYB101S3-VBC6	
	0.2	RYS201S3	RYB201S3-VBC6	RNFTC10-20
	0.375	RYS371S3-VVX6	-	RNFTC20-20

Circuit voltage	Digital ES servo amplifier		Power Filter
	Capacity (kW)	RYE series	
3-phase 200V	0.05	RYE.05D	RNFTC06-20
	0.1	RYE.10D	
	0.2	RYE.20D	
	0.4	RYE.40D	
	0.75	RYE.75D	RNFTC10-20
	1.5	RYE1.5D	RNFTC20-20
	2.2	RYE2.2D	RNFTC30-20
	3.0	RYE3.0D	
	3.7	RYE3.7D	

# Noise Suppression Filters

## Application

### ■ Applicable to servo systems/Input circuit high performance types

Circuit voltage	FALDIC series servo amplifier			Power Filter
	Capacity (kW)	FALDIC- $\alpha$	FALDIC- $\beta$	
3-phase 200V	0.05	RYS500S3	RYB500S3-VBC	<b>RNFHA05-20</b>
	0.1	RYS101S3	RYB101S3-VBC	
	0.2	RYS201S3	RYB201S3-VBC	
	0.4	RYS401S3	RYB401S3-VBC	
	0.75	RYS751S3	RYB751S3-VBC	<b>RNFHA20-20</b>
	1.0	RYS102S3	–	<b>RNFHA30-20</b>
	1.5	RYS152S3	–	
	2.0	RYS202S3	–	
	3.0	RYS302S3	–	
	4.0	RYS402S3	–	
5.0	RYS502S3	–		
Single phase 100V	0.05	RYS500S3	RYB500S3-VBC6	<b>RNFHA05-20</b>
	0.1	RYS101S3	RYB101S3-VBC6	
	0.2	RYS201S3	RYB201S3-VBC6	<b>RNFHA10-20</b>
	0.375	RYS371S3-VVX6	–	<b>RNFHA20-20</b>

Circuit voltage	Digital ES servo amplifier		Power Filter
	Capacity (kW)	RYE series	
3-phase 200V	0.05	RYE.05D	<b>RNFHA05-20</b>
	0.1	RYE.10D	
	0.2	RYE.20D	
	0.4	RYE.40D	<b>RNFHA10-20</b>
	0.75	RYE.75D	
	1.5	RYE1.5D	
	2.2	RYE2.2D	<b>RNFHA30-20</b>
	3.0	RYE3.0D	
	3.7	RYE3.7D	

For further information related to FUJI inverter and servo system, contact FUJI.