

H.V. Distribution Equipment

Disconnecting switches

V and RF-type

■ Technical data

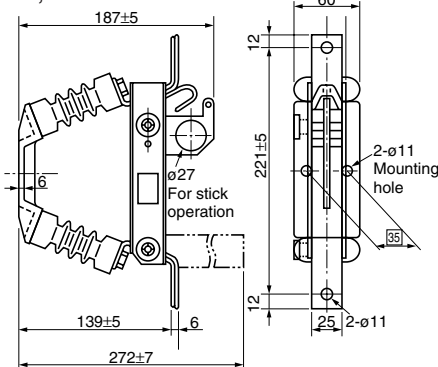
Type	No. of poles	Rated voltage (kV)	Dielectric strength (AC rms 1 min.) (kV)		Impulse (1.2 × 50μs) (kV)	
			To ground	Between poles	To ground	Between poles
V RF240cI/6	1	7.2	22	35	60	70
V3 RF240cIII/6	3	7.2	22	35	60	70
RF240cI/20	1	12/24	50	80	125	145
V3-20 RF240cIII/20	3	12/24	50	80	125	145
RF240cI/30	1	36	70	110	170	195
RF240cIII/30	3	36	70	110	170	195

■ Connection

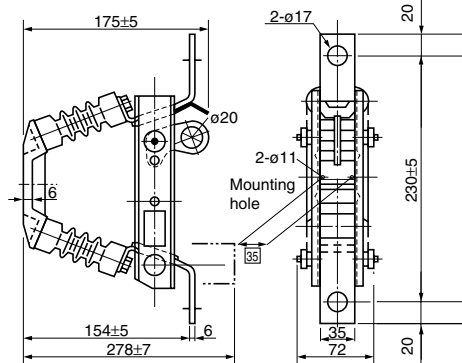
Type	V, V3	RF240			
	Connection	F-F	B-B	B-F	F-B

■ Dimensions, mm

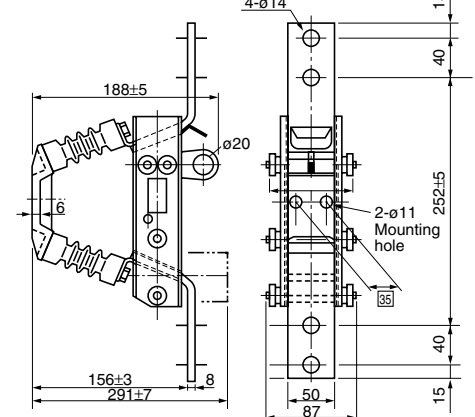
V-2, 4



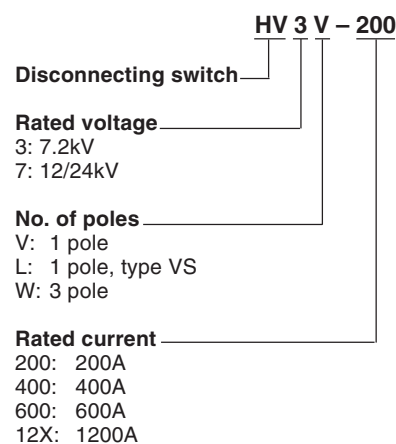
V-6



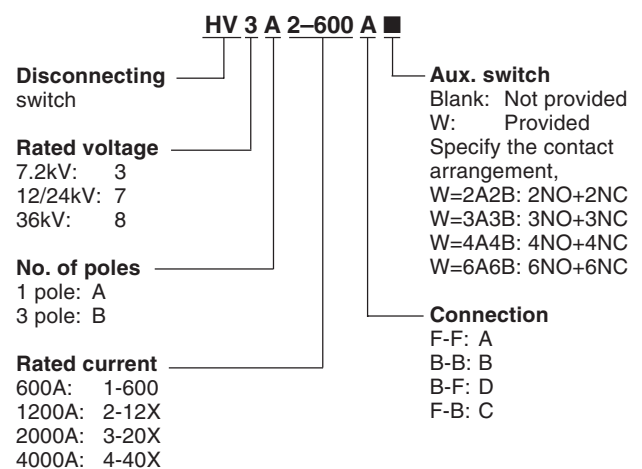
V-12



■ Ordering code system, type V



■ Ordering code system, type RF



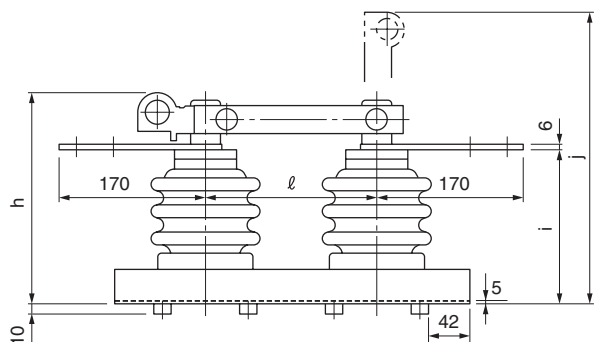
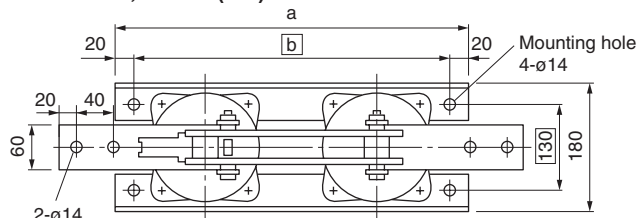
H.V. Distribution Equipment

Disconnecting switches

RF type

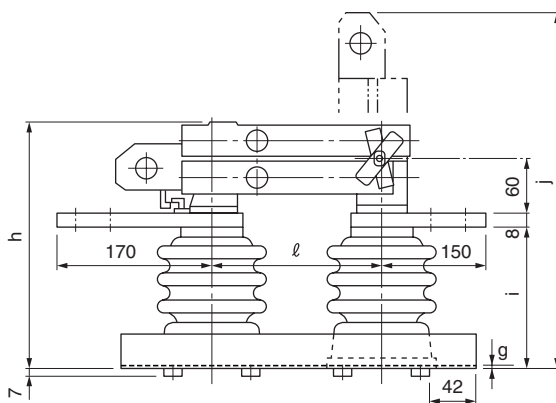
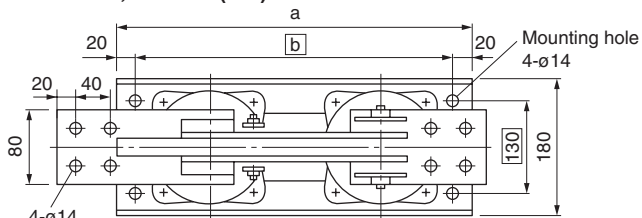
■ Dimensions, mm

RF240cI/20, 30/600 (F-F)



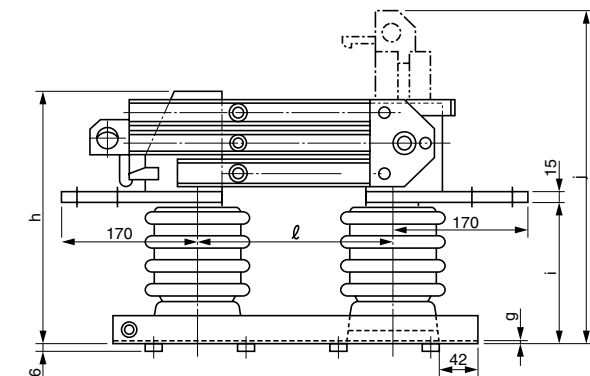
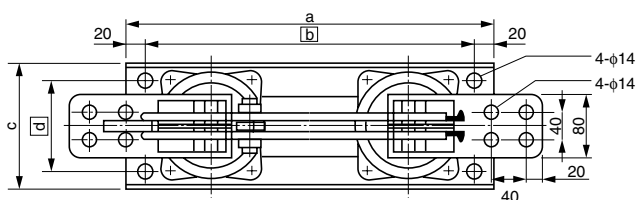
Type	a	b	h	i	j	l
RF240cI/20/600	545	505	335	269	685	300
RF240cI/30/600	645	605	432	360	889	410

RF240cI/20, 30/1200 (F-F)



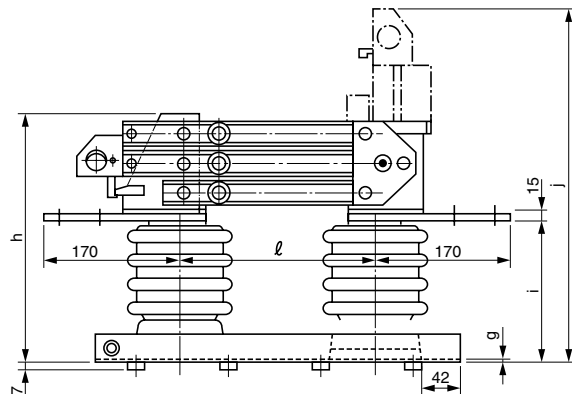
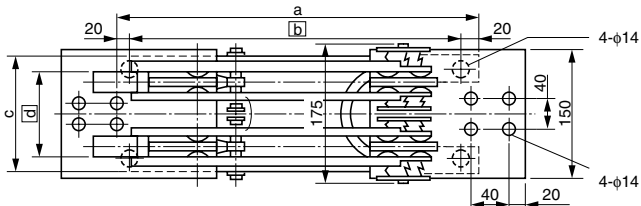
Type	a	b	h	i	j	l	g
RF240cI/20/1200	545	505	376	260	723	300	5
RF240cI/30/1200	645	605	466	350	923	410	6

RF240cI/6 – 30/2000 (F-F)



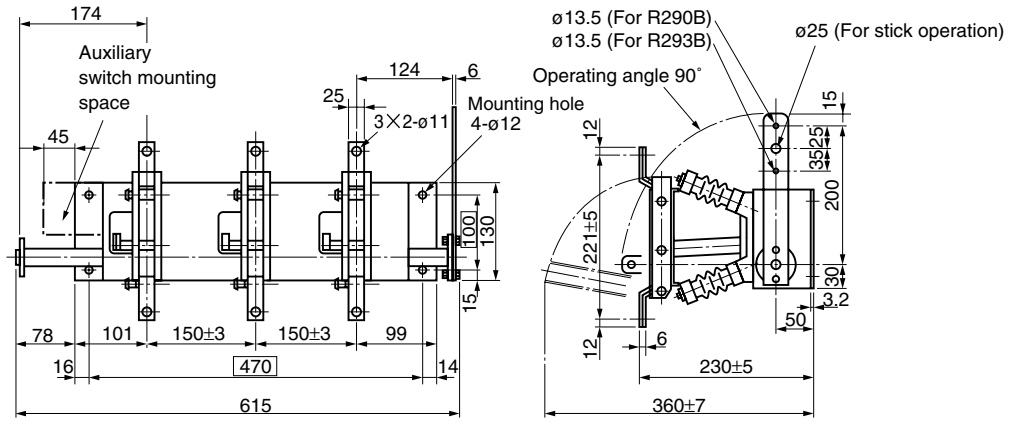
Type	a	b	c	d	h	i	j	l	g
RF240cI/6/2000	390	350	139	95	305	155	570	190	5
RF240cI/20/2000	535	495	180	130	410	261	786	300	6
RF240cI/30/2000	645	605	180	130	500	351	986	410	6

RF240cI/6, 20/4000 (F-F)

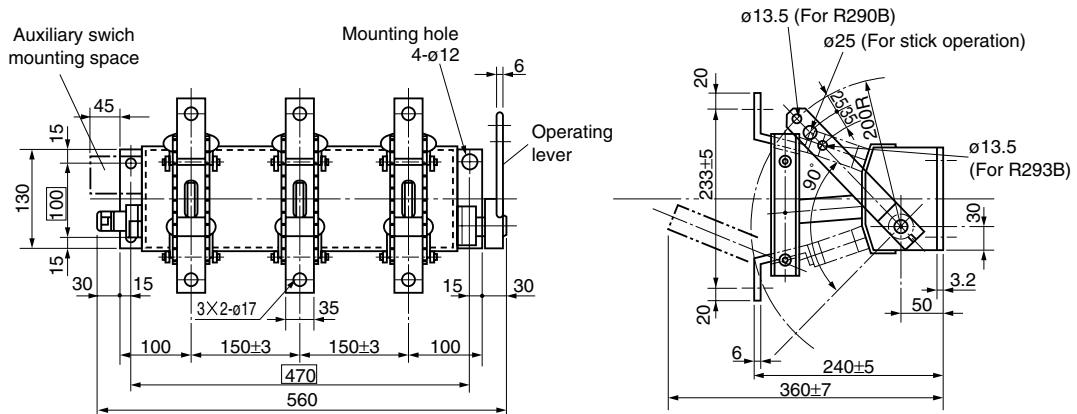


Type	a	b	c	d	h	i	j	l	g
RF240cI/6/4000	390	350	139	95	305	155	570	190	5
RF240cI/20/4000	535	495	180	130	411	261	786	300	6

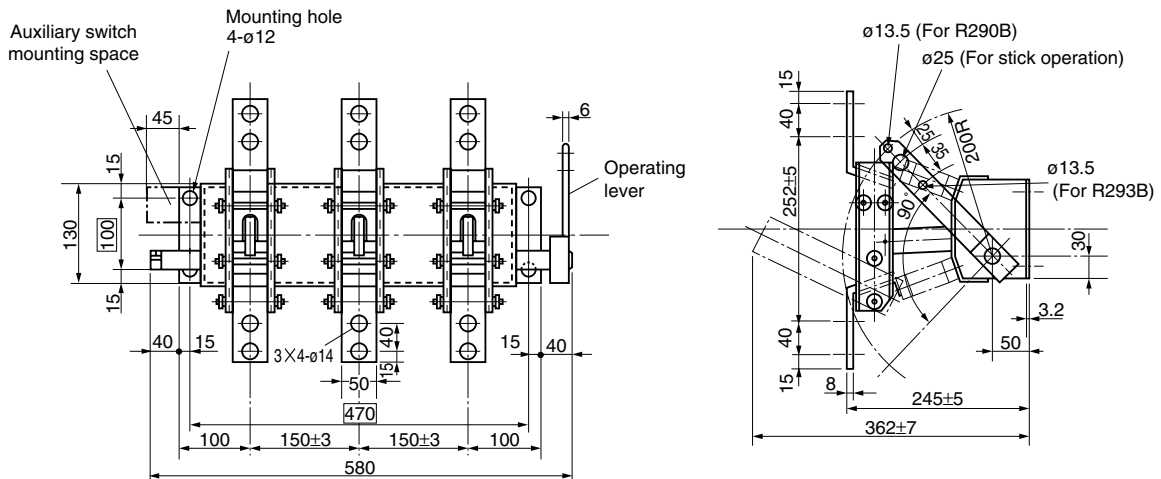
■ Dimensions, mm
Gang-operating — V3 type
V3-2, V3-4



V3-6



V3-12



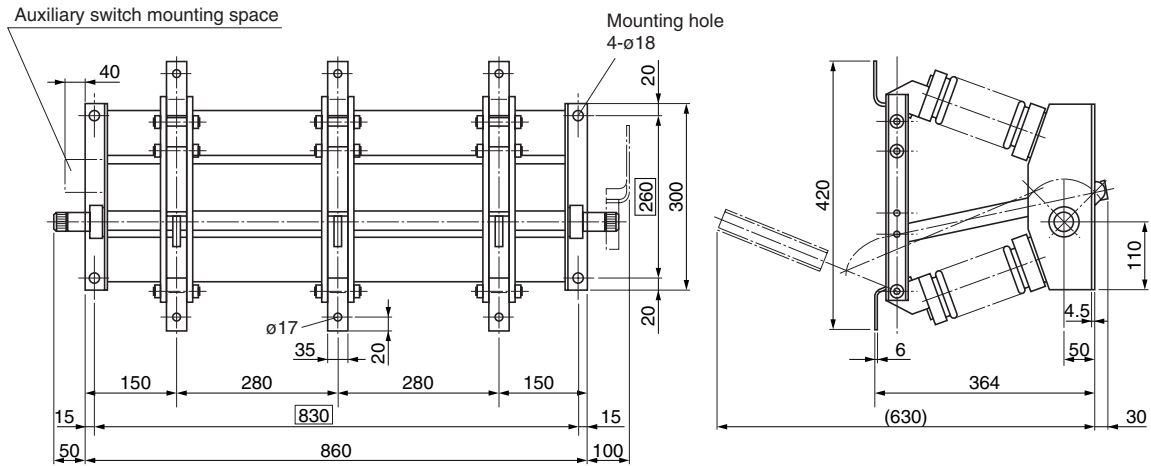
Note : □ : Mounting hole dimensions

H.V. Distribution Equipment

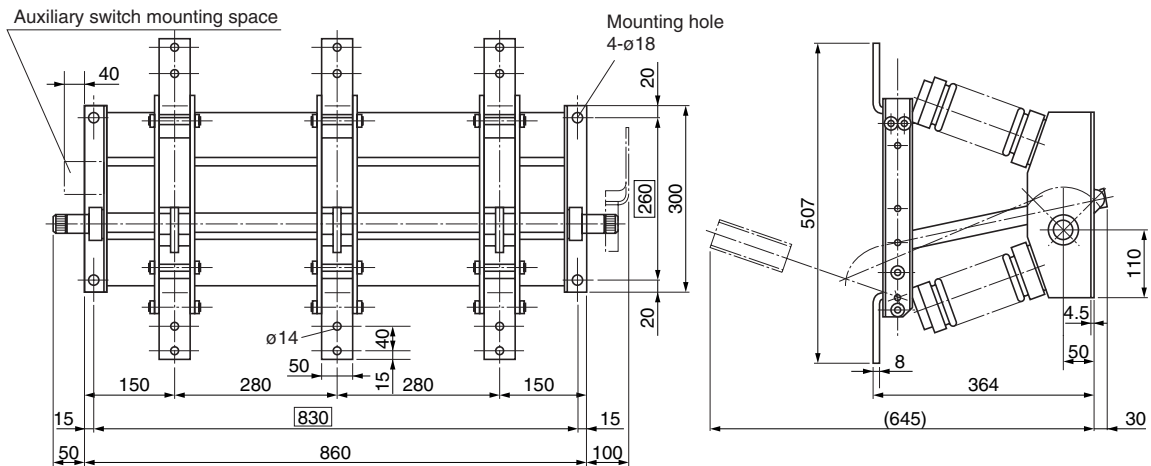
Disconnecting switches

RF type

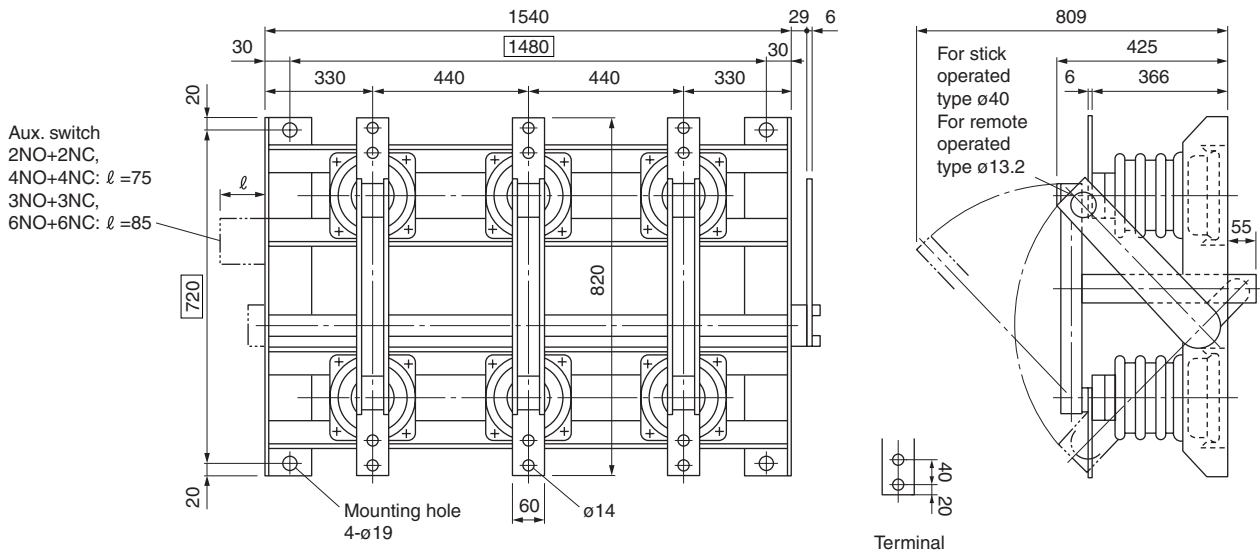
■ Dimensions, mm
V3-20/600



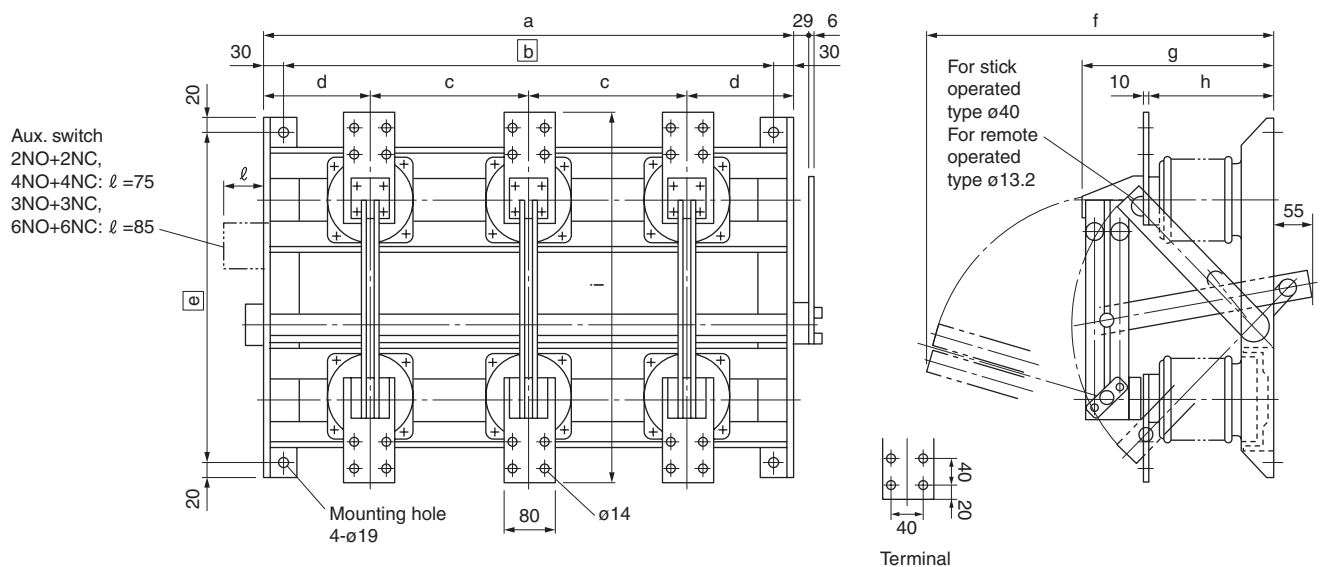
V3-20/1200



RF240cIII/30/600 (F-F)



RF240cIII/20, 30/1200 (F-F)



Type	a	b	c	d	e	f	g	h	i
RF240cIII/20/1200	1160	1100	340	240	630	690	376	266	700
RF240cIII/30/1200	1540	1480	440	330	720	868	466	356	780

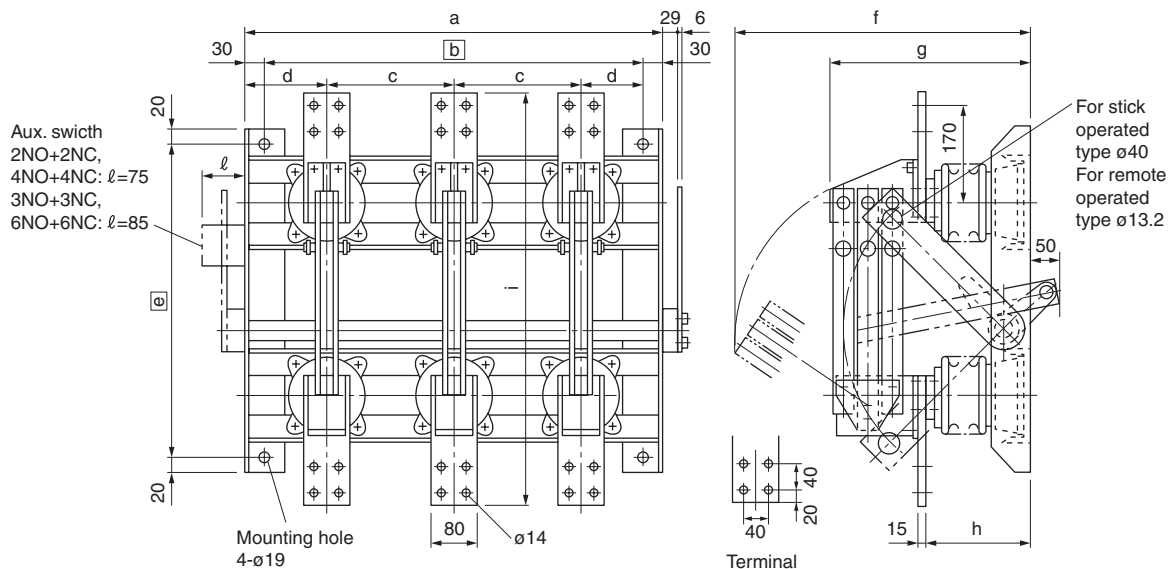
H.V. Distribution Equipment

Disconnecting switches

RF type

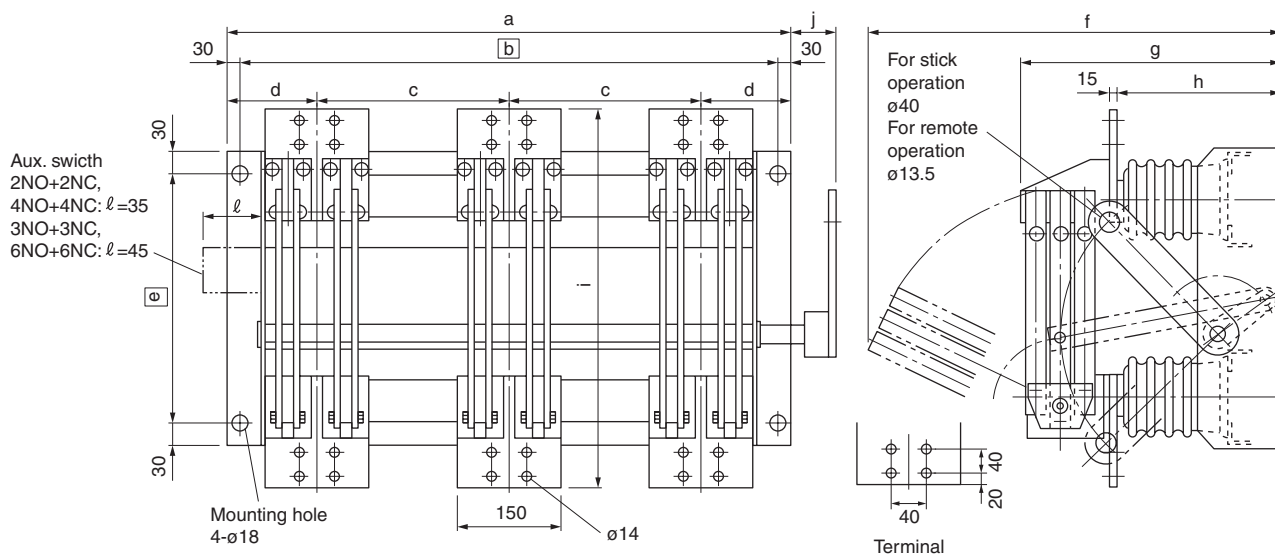
■ Dimensions, mm

RF240cIII/6 – 30/2000 (F-F)



Type	a	b	c	d	e	f	g	h	i
RF240cIII/6/2000	660	600	200	130	490	557	311	161	640
RF240cIII/20/2000	1160	1100	340	240	630	754	416	266	740
RF240cIII/30/2000	1540	1480	440	330	720	935	506	356	820

RF240cIII/6, 20/4000 (F-F)



Type	a	b	c	d	e	f	g	h	i	j
RF240cIII/6/4000	920	860	300	160	370	613±10	380	230	620	59
RF240cIII/20/4000	1280	1220	420	220	530	832±10	485	335	740	109