

H.V. Distribution Equipment


Power fuses & fuse holders

12, 24, and 36kV

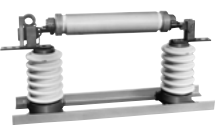
■ Types and ratings

Back-up fuses (Rated minimum breaking current: 3 × Rated current)

• Fuse-link

Illustration	Ratings		Current (A)	Type	Ordering code	Mass (kg)	Applicable fuse-holder					
	Voltage (kV)	Interrupting capacity (kA)					Indoor use Type	Outdoor use Type				
 <p>SB-1068</p> <p>Fuse link 36kV</p>	12	40 (830MVA)	5	JR-10/5	HF4J-005	1.0	JT-10Z	—				
			10	HF337/10/10	HF4Q-010	1.5			HF323/10a	HF326/10a		
			20	HF338B/10/20	HF4D-020	3.0			HF323/10b	HF326/10b		
			30	HF338B/10/30	HF4D-030	3.0						
			40	HF338B/10/40	HF4D-040	3.0						
			50	HF338B/10/50	HF4D-050	3.0						
			75	HF338B/10/75	HF4D-075	3.0						
			100	HF338B/10/100	HF4D-100	3.0						
			150	2xHF338B/10/75	HF4D-075	6.0			HF323II/10b	HF326II/10b		
			200	2xHF338B/10/100	HF4D-100	6.0						
			24	40 (1700MVA) 25 (1000MVA)	5	JR-20/5			HF6J-005	1.5	JT-20Z	—
					10	HF337/20/10			HF6Q-010	2.0		
	20	HF338B/20/20			HF6D-020	3.5	HF323II/20	HF326II/20				
	30	HF338B/20/30			HF6D-030	3.5						
	40	HF338B/20/40			HF6D-040	3.5						
	80	2xHF338B/20/40			HF6D-080	7.0						
	36	25 (1600MVA) 16 (1000MVA) 32 (2000MVA)	5	JR-30/5	HF8J-005	2.0	JT-30Z	—				
			10	HF337/30/10	HF8Q-010	2.5			HF323/30	HF326/30		
			16	HFB-30/16	HF8H-016	4.6			HF323II/30	HF326II/30		
			25	HFB-30/25	HF8H-025	6.8						
			40	HFB-30/40	HF8H-040	6.8						
			80	2xHFB-30/40	HF8H-080	13.6						

• Fuse-holder

Illustration	Rated voltage (kV)	Usage	Poles	Type	Ordering code	Mass (kg)			
 <p>300498</p> <p>HF323/10</p>	12	Indoor use	1	HF323/10a	HE4E	17			
				HF323/10b	HE4E-S	18			
				HF323II/10b	HE4E-L	20			
		Outdoor use	1	HF326/10a	HE4R	21			
				HF326/10b	HE4K	23			
				HF326II/10b	HE4L	25			
	24	Indoor use	1	HF323/20	HE6M	23			
				HF323II/20	HE6G	25			
				HF326/20	HE6N	31			
		Outdoor use	1	HF326II/20	HE6L	33			
				36	Indoor use	1	HF323/30	HE8M	30
							HF323II/30	HE8G	32
Outdoor use	1	HF326/30	HE8N	41					
		HF326II/30	HE8L	43					

Note: Mass does not include fuse-link.

■ Ordering information

Specify the following:

1. Type number
2. Rated voltage
3. Rated current

When ordering fuse-holder (HF type indoor use) with remote operation indicating device, add "S" to the end of type number.

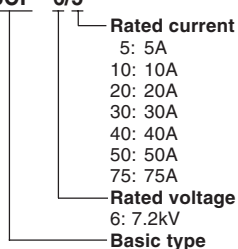
Example

- Fuse-link
7.2kV HF-type general purpose fuse.
Rated current 100A
Interrupting capacity 40kA
Type number: HF338E/6/100
- Fuse-holder (for above fuse-link)
7.2kV 100A Single-pole Indoor use
Type number: HF340/6b

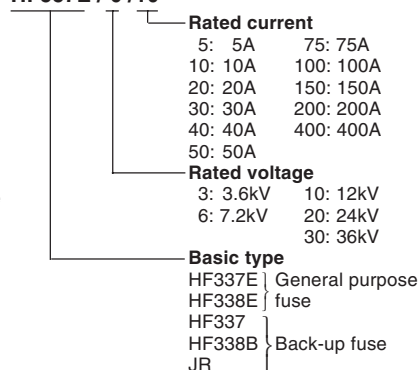
■ Type number nomenclature

• Fuse-link

SCF - 6/5

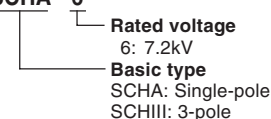


HF337E / 6 / 10



• Fuse-holder

SCHA - 6



HF340 III / 6

