

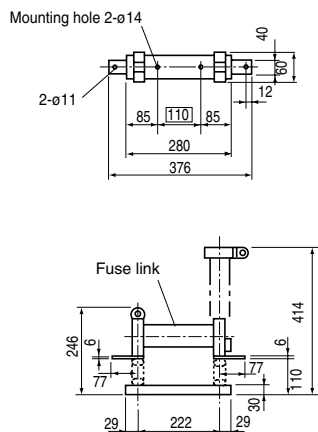
H.V. Distribution Equipment

Fuse holders

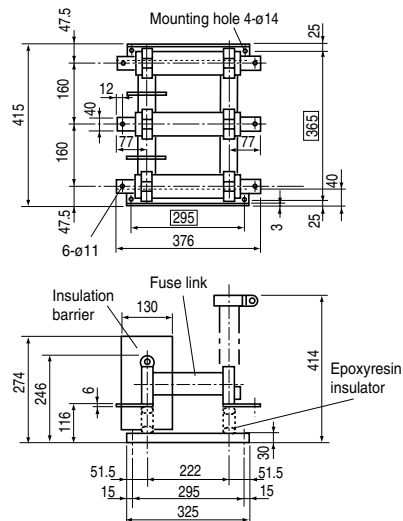
SCH & HF340 type

- Dimensions, mm (with fuse links)
- General purpose fuses

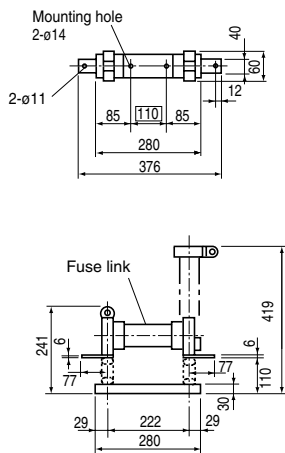
Fuse-holder
SCHA-6



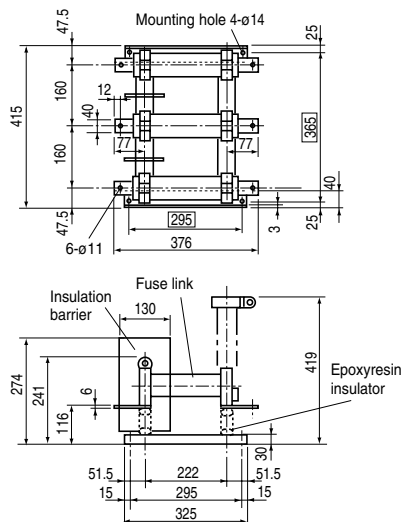
SCH III-6



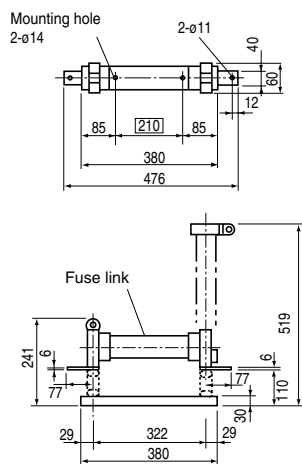
HF-340/6a



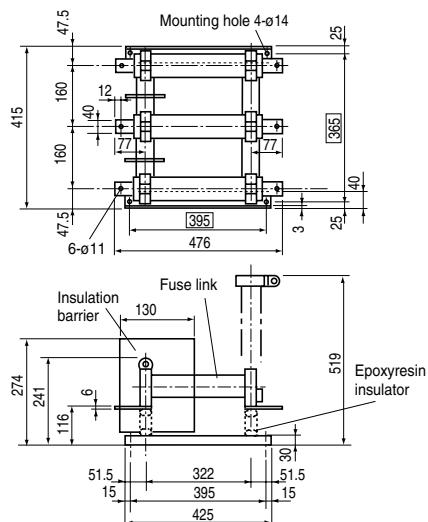
HF340 III/6a



HF340/6b

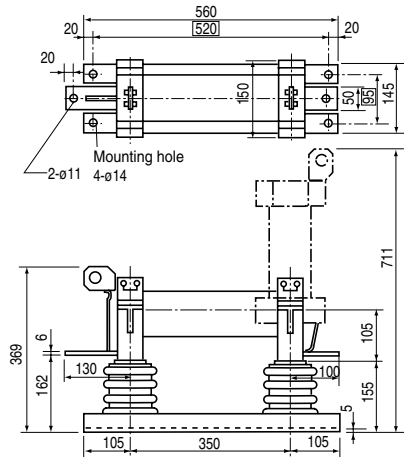


HF340 III/6b

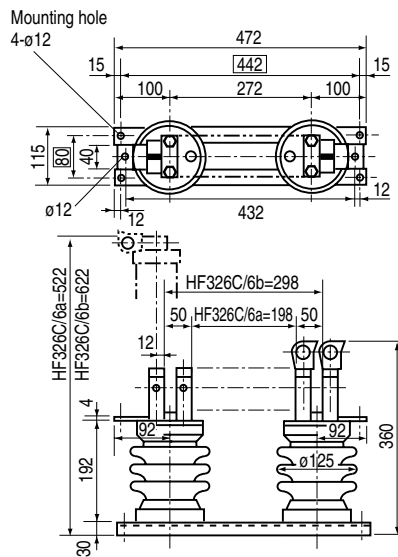


- Dimensions, mm (with fuse links)
- General purpose fuses

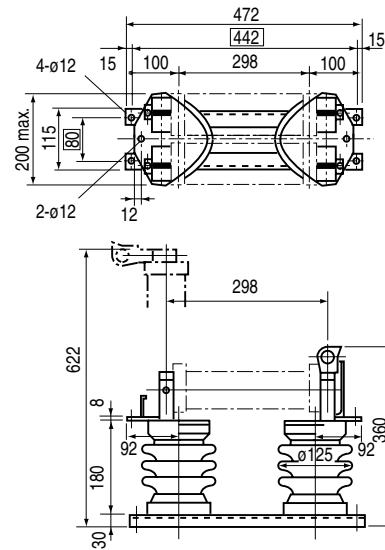
Fuse-holder
HF323/6e



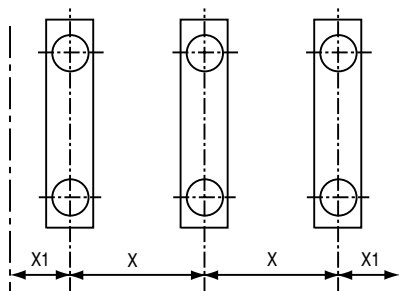
HF326C/6a, 6b



HF326C II/6b



Installation dimensions (minimum)



| Usage | Rated voltage (kV) | Fuse-holder Type | Dimensions, mm Between poles (X) | To ground (X1) |
|-------------|--------------------|------------------|-------------------------------------|----------------|
| Indoor use | 7.2 | SCHA-6 | 160 | 110 |
| | | HF340/6a | 160 | 130 |
| | | HF340/6b | 160 | 100 |
| | | 2×HF340/6b | 260 | 210 |
| | 3.6 | HF323/6e | 250 | 175 |
| | | HF323/6e | 250 | 175 |
| Outdoor use | 3.6 | HF326C/6a | 200 | 130 |
| | | HF326C/6b | 200 | 130 |
| | | HF326CII/6b | 290 | 170 |
| | 7.2 | HF326C/6a | 230 | 150 |
| | | HF326C/6b | 230 | 150 |
| | | HF326CII/6b | 320 | 190 |

H.V. Distribution Equipment

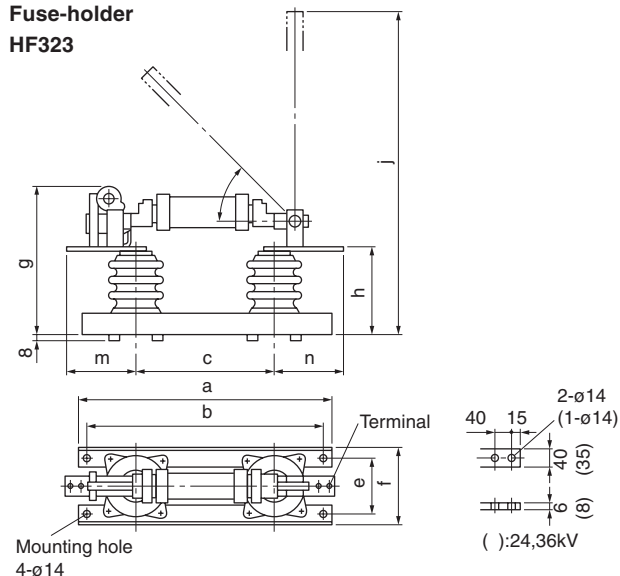
Fuse holders

HF323 & HF326 type

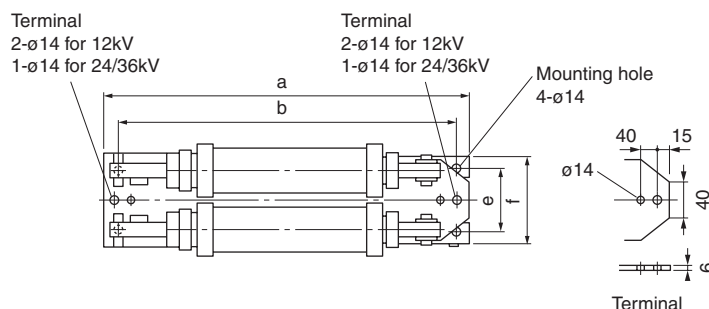
■ Dimensions, mm

• Back-up fuses (12, 24 and 36kV)

Fuse-holder HF323

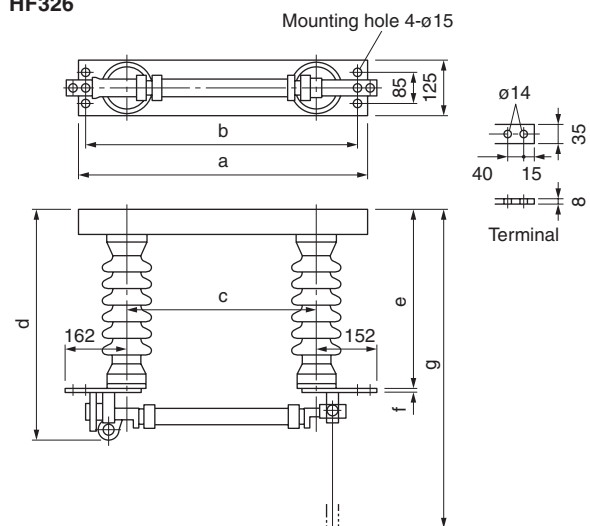


HF323 II



| Fuse-holder Type | Rated voltage (kV) | Rated current (A) | a | b | c | e | f | g | h | j | m | n |
|------------------|--------------------|-------------------|-----|-----|-----|-----|-----|-----|-----|------|-----|-----|
| HF323/10a | 12 | 10 | 608 | 568 | 388 | 105 | 155 | 317 | 185 | 776 | 160 | 140 |
| HF323/10b | 12 | 20 to 100 | 758 | 718 | 538 | 105 | 155 | 317 | 185 | 926 | 160 | 140 |
| HF323II/10b | 12 | 150, 200 | 758 | 718 | 538 | 105 | 155 | 317 | 185 | 926 | 111 | 111 |
| HF323/20 | 24 | 10 to 40 | 788 | 748 | 538 | 130 | 180 | 394 | 260 | 1001 | 130 | 106 |
| HF323II/20 | 24 | 80 | 788 | 748 | 538 | 130 | 180 | 394 | 260 | 1001 | 111 | 111 |
| HF323/30 | 36 | 10 to 40 | 884 | 844 | 634 | 130 | 180 | 484 | 350 | 1186 | 130 | 106 |
| HF323II/30 | 36 | 80 | 884 | 844 | 634 | 130 | 180 | 484 | 350 | 1186 | 111 | 111 |

HF326



HF326 II



| Fuse-holder Type | Rated voltage (kV) | Rated current (A) | a | b | c | d | e | f | g |
|------------------|--------------------|-------------------|-----|-----|-----|-----|-----|---|------|
| HF326/10a | 12 | 10 | 628 | 588 | 388 | 433 | 309 | 8 | 900 |
| HF326/10b | 12 | 20 to 100 | 778 | 738 | 538 | 433 | 309 | 8 | 1050 |
| HF326II/10b | 12 | 150, 200 | 778 | 738 | 538 | 433 | 409 | 6 | 1050 |
| HF326/20 | 24 | 10 to 40 | 778 | 738 | 538 | 568 | 444 | 8 | 1185 |
| HF326II/20 | 24 | 80 | 778 | 738 | 538 | 568 | 444 | 6 | 1185 |
| HF326/30 | 36 | 10 to 40 | 874 | 814 | 638 | 698 | 574 | 8 | 1410 |
| HF326II/30 | 36 | 80 | 874 | 814 | 638 | 698 | 574 | 6 | 1410 |

■ **Dimensions, mm**

General purpose fuses 3.6, 7.2kV

| Type | L max. | Dimensions, mm |
|---|--------|----------------|
| SCF-6/5 SCF-6/10 SCF-6/20 SCF-6/30 SCF-6/40 | 274 | |
| SCF-6/50 SCF-6/75 | 274 | |
| HF337E/6/5 HF337E/6/10 | 262 | |
| HF338E/6/20 HF338E/6/30 | 266 | |
| HF338E/6/40 to HF338E/6/200* | 366 | |
| HF338E/6/400* | 408 | |
| HF337E/3/5 HF337E/3/10 | 262 | |
| HF338E/3/20 to HF338E/3/100 | 266 | |
| HF338E/3/150 HF338E/3/200 | 366 | |
| HF338E/3/400* | 408 | |

*: Back-up fuse
 Mass: See page 11/18.

■ **Ordering information:** See page 11/18.

Fuji Electric FA Components & Systems Co., Ltd./D & C Catalog
 Information subject to change without notice

Back-up fuses

| Type | L max. | Dimensions, mm |
|---|--------|----------------|
| HF337/10/10 | 362 | |
| HF337/20/10 | 512 | |
| HF337/30/10 | 607 | |
| HF338B/10/20 HF338B/10/30 HF338B/10/40 HF338B/10/50 HF338B/10/75 HF338B/10/100 HF338B/20/20 HF338B/20/30 HF338B/20/40 | 516 | |
| HFB-30/16 HFB-30/25 HFB-30/40 | 603 | |
| JR-10/5 | 262 | |
| JR-20/5 | 362 | |
| JR-30/5 | 512 | |

Mass: See page 11/18.