

SE-292

● RF type 12kV to 36kV

No. of poles	Ratings			Auxiliary switch	Operating motor ratings Type R294/10D200	Type	Mass (kg)
	Voltage (kV)	Current (A)	Making & breaking current (A)				
3	12/24	600	75	—	—	RF248III/20/600	105
				2NO+2NC	—	RF248III/20/600W	105
				2NO+2NC *	100/110V DC 32.6A (max.)	RF248III/20/600GW	105
	1200	75	75	—	—	RF248III/20/1200	125
				2NO+2NC	—	RF248III/20/1200W	125
				2NO+2NC *	100/110V DC 32.6A (max.)	RF248III/20/1200GW	125
36	600	600	600	—	—	RF250III/20/600	105
				2NO+2NC	—	RF250III/20/600W	105
				2NO+2NC *	100/110V DC 32.6A (max.)	RF250III/20/600GW	105
36	600	50	50	—	—	RF248III/30/600	140
				2NO+2NC	—	RF248III/30/600W	140
				2NO+2NC *	100/110V DC 32.6A (max.)	RF248III/30/600GW	140

Note: * 2NO+2NC auxiliary contact required for internal wiring purpose.

■ Ordering information

Specify the following:

1. Type number or ordering code

■ Type number nomenclature

RF 250 III/6/600 □ W

Basic type

RF250, RF248

Poles

III: 3-pole

Rated voltage

20: 12/24kV
30: 36kV

Auxiliary switch

Blank: Without auxiliary switch

W: With auxiliary switch (2NO+2NC)

Operating

Blank: Stick-operated

G: Manual remote-operated by R290-B

Motor remote-operated by R294/10D200

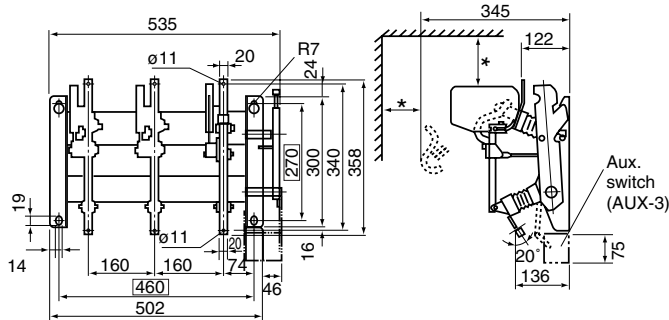
Rated current

600: 600A

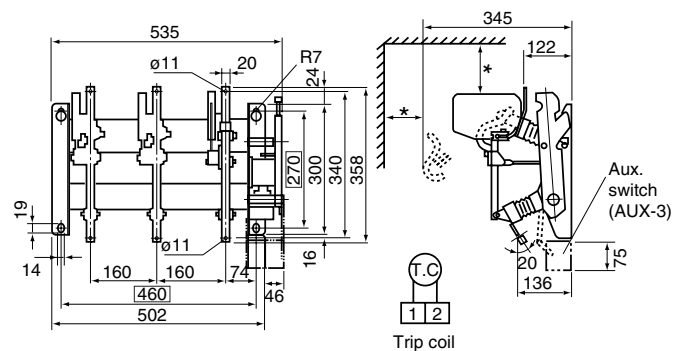
1200: 1200A

■ Dimensions, mm

● LB-6/100



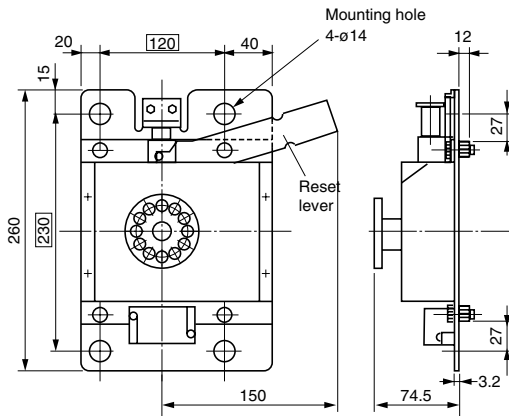
● LB-6/100f



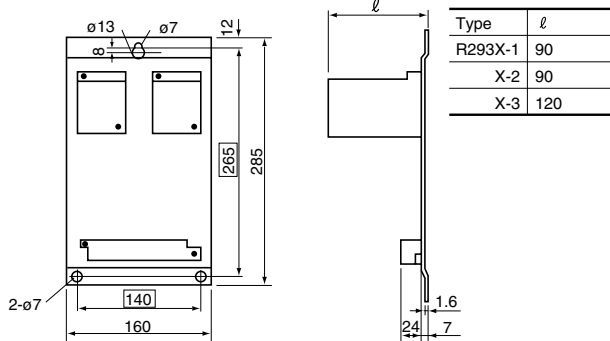
* Arc space: Over 100mm
For other LB types, arc space (over 100mm) is necessary.

■ Dimensions, mm/Gang-operated mechanism

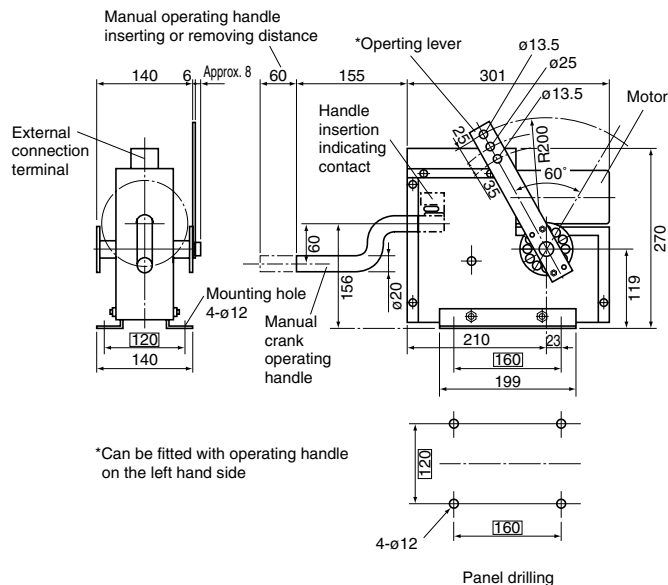
• R290-B



• R293X

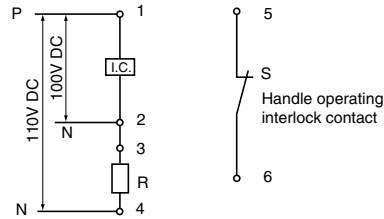


• R293B

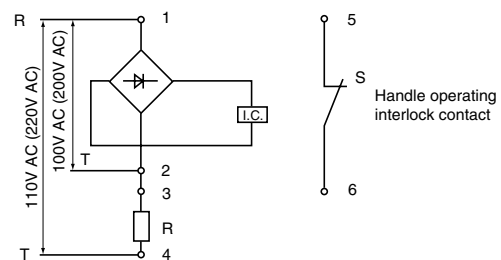


■ Wiring diagrams

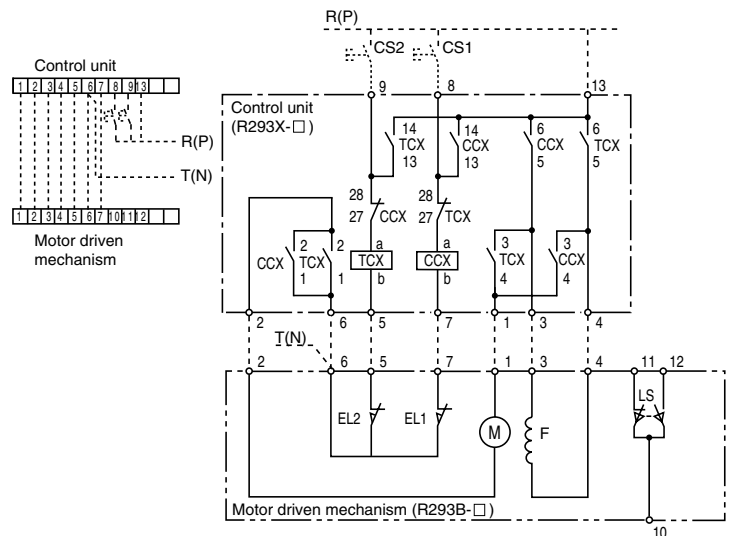
• R290-BDS



• R290-BAS, R290Z-BAS



• R293B, R293X



- CS1 : ON switch (Not supplied)
- CS2 : OFF switch (Trip) (Not supplied)
- CCX : Magnetic contactor for closing
- TCX : Magnetic contactor for tripping
- EL1 : End limit switch for closing
- EL2 : End limit switch for tripping
- F : Motor/armature
- M : Motor/armature
- LS : Crank handle insertion indicating contact
- 10-11 ON: Removing handle
- 10-12 ON: Inserting handle

Note: For gang-operated diagrams, contact FUJI.

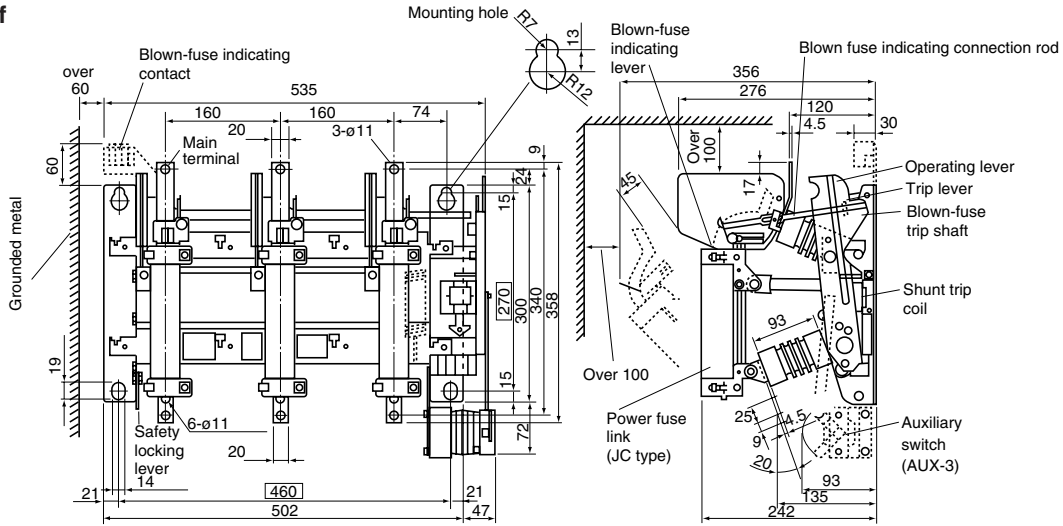
H.V. Distribution Equipment

Air load break switches

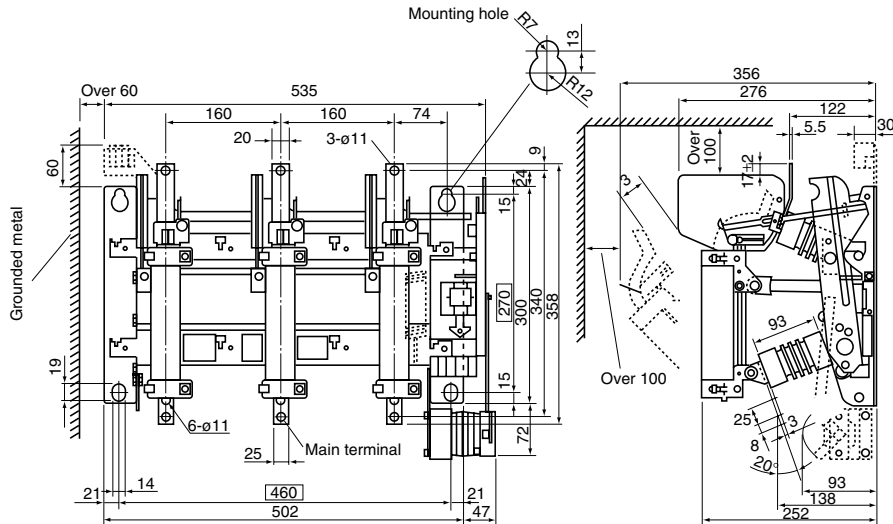
LBS type

■ Dimensions, mm

• LBS-6/200, 200f



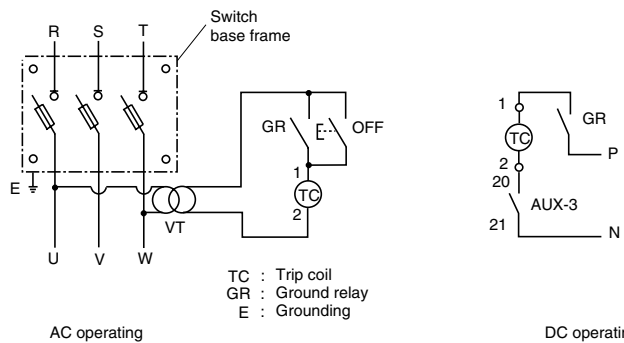
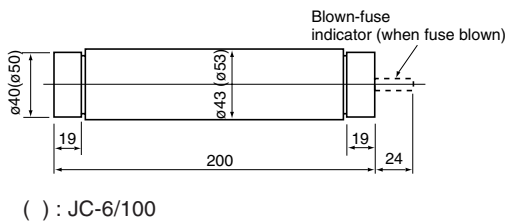
• LBS-6/210, 210f



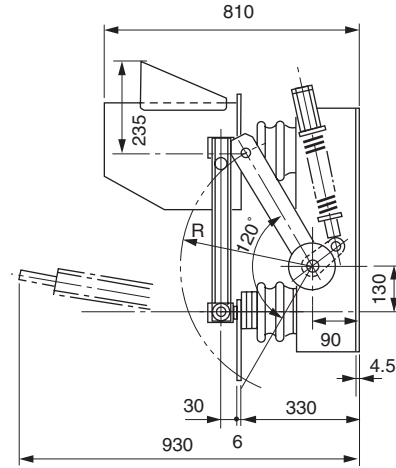
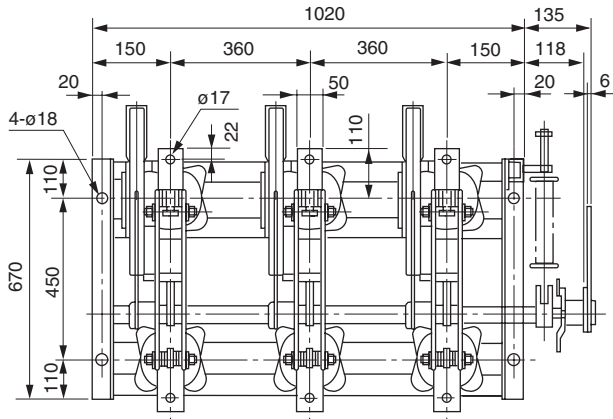
• Accessories

- Fuse link

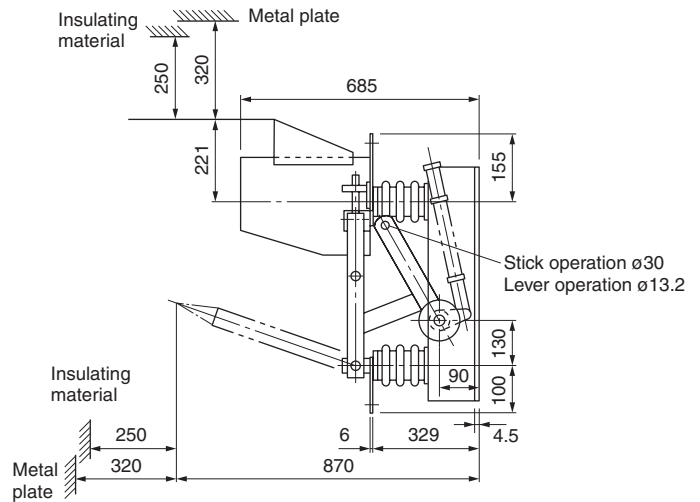
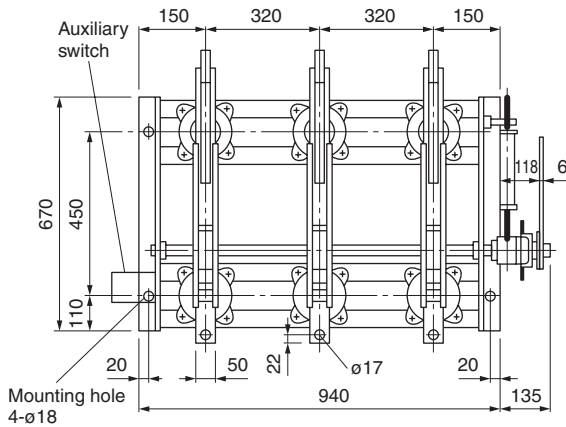
■ Wiring diagrams (Shunt trip operating circuit)



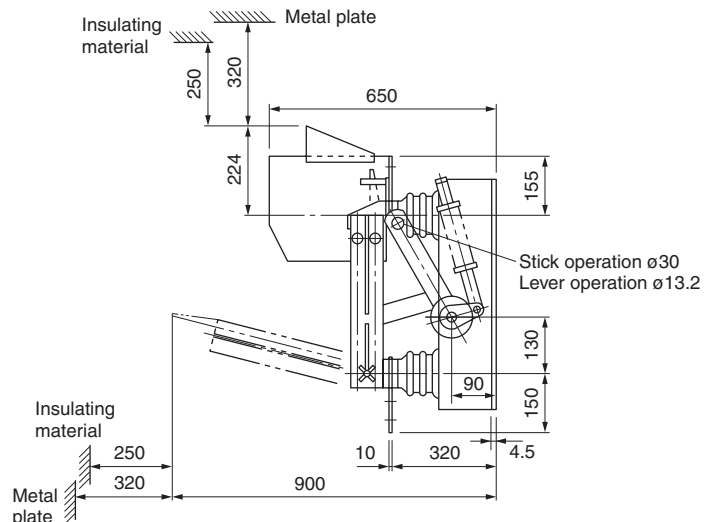
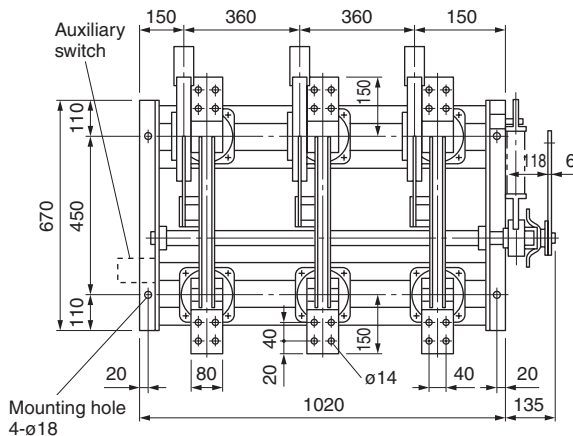
■ Dimensions, mm
 • RF250III/20/600



• RF248III/20/600



• RF248III/20/1200



H.V. Distribution Equipment

Air load break switches

RF type

■ Dimensions, mm
 • RF248III/30/600

