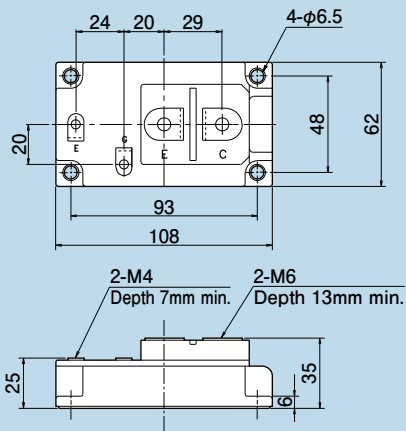


外形図/Dimensions

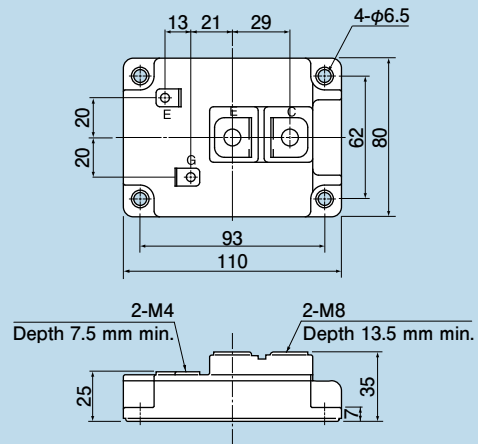
<パワーデバイス Power devices>

mm

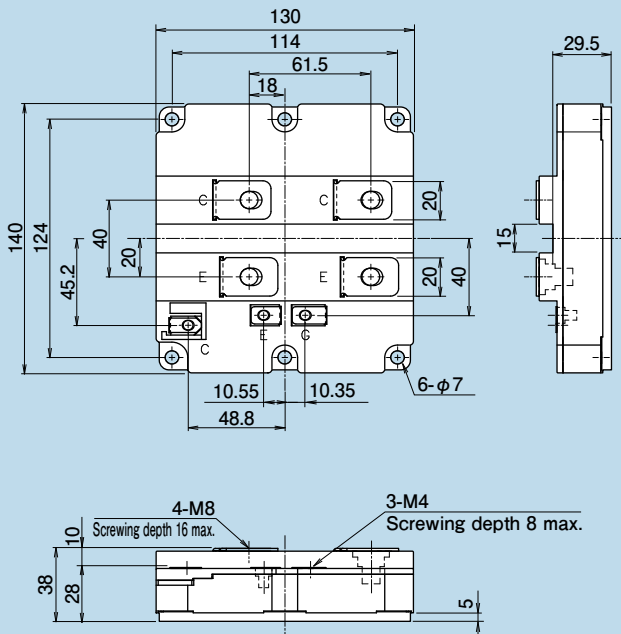
M127



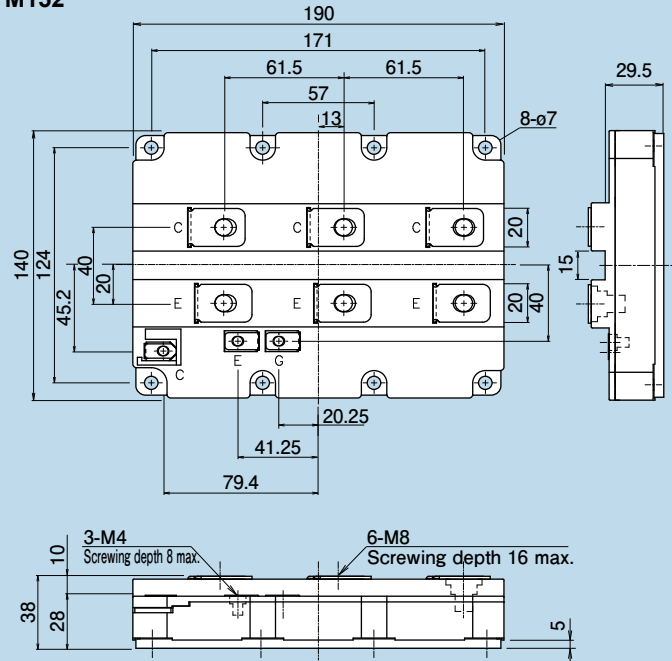
M138



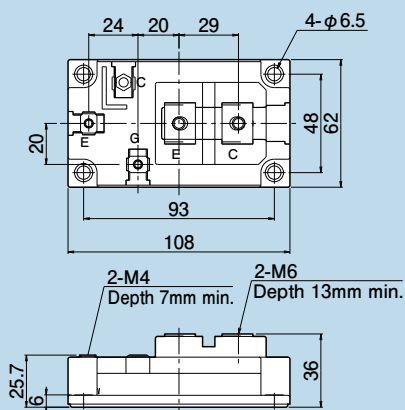
M151



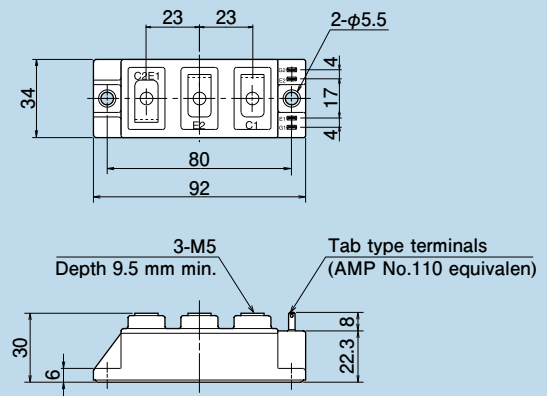
M152



M153

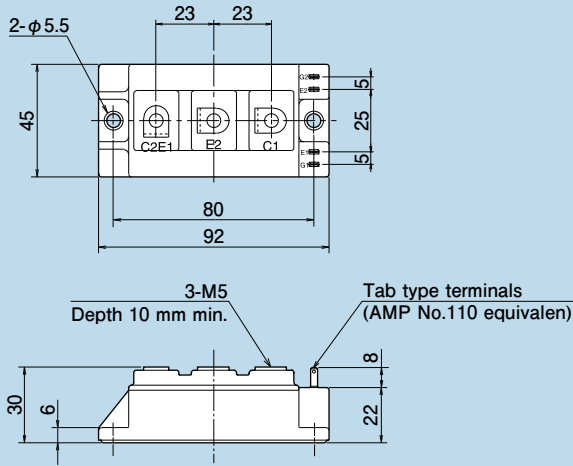


M232

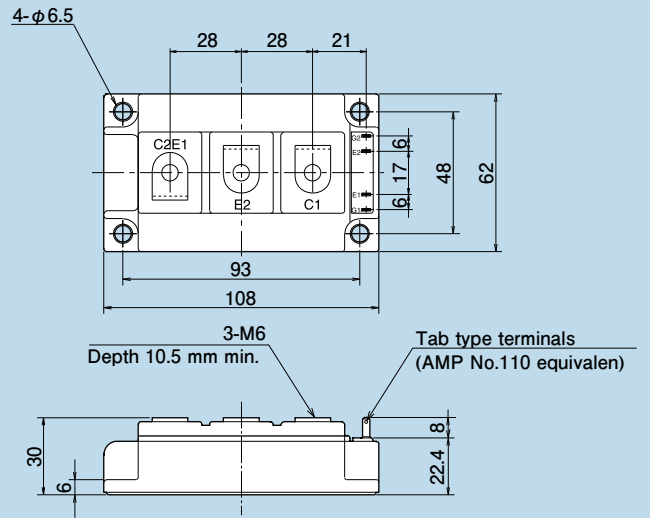


mm

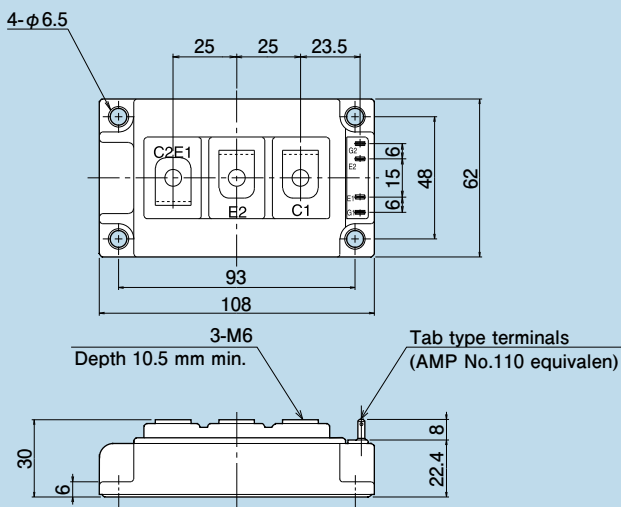
M233



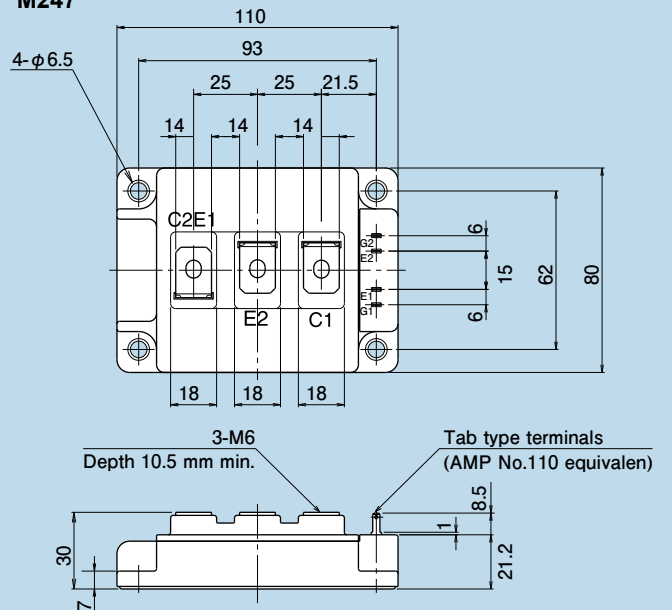
M234



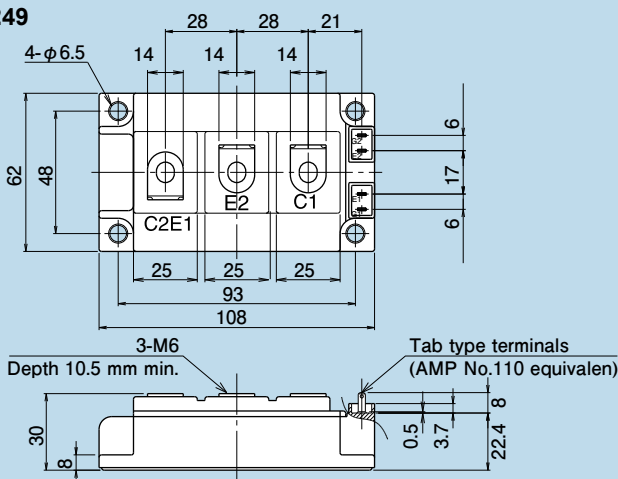
M235



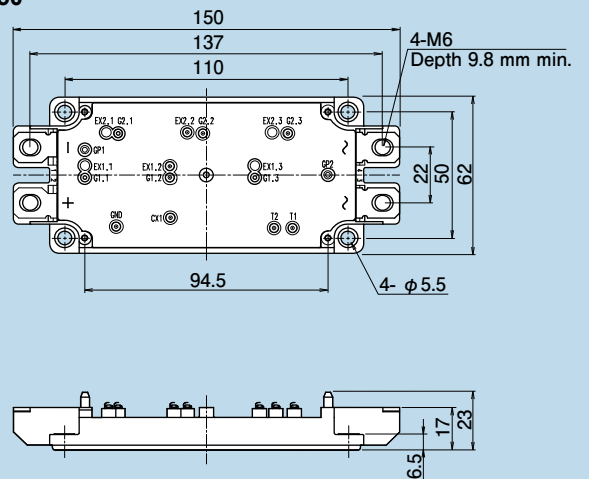
M247



M249



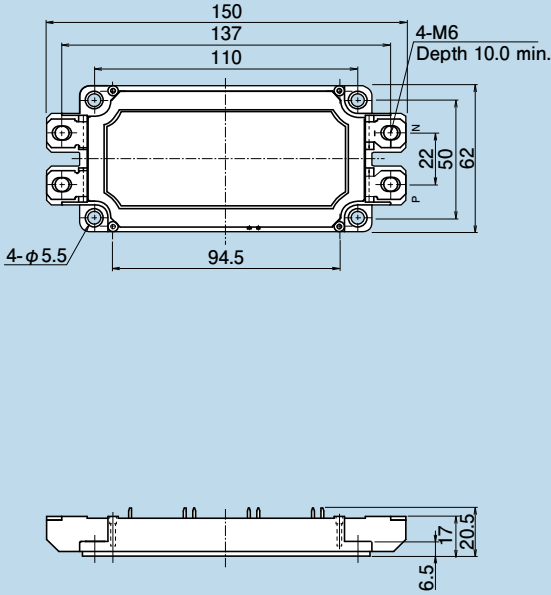
M250



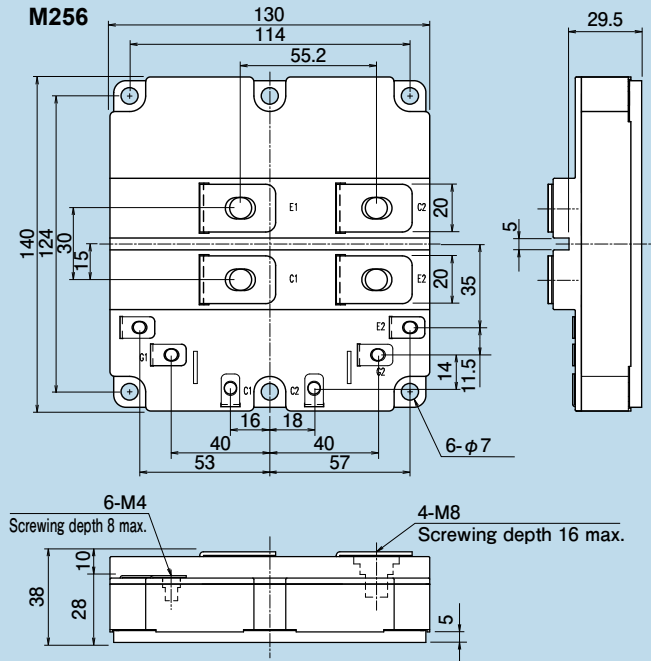
外形图/Dimensions

mm

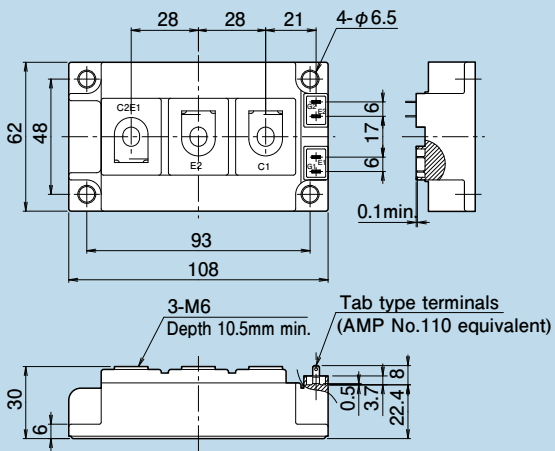
M254



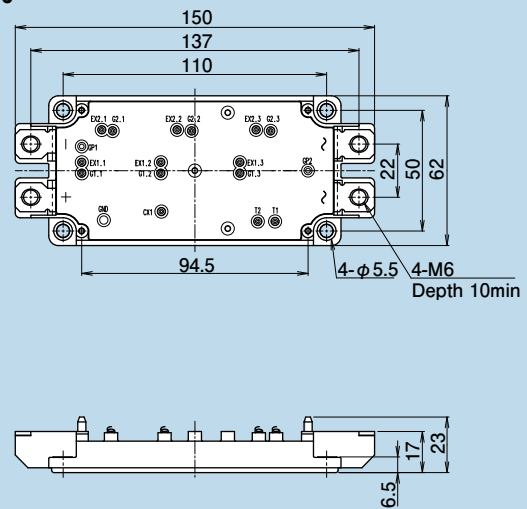
M256



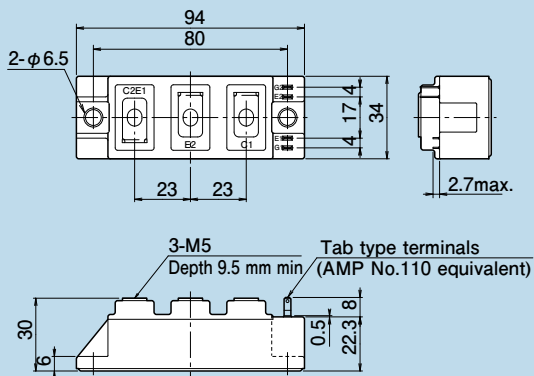
M259



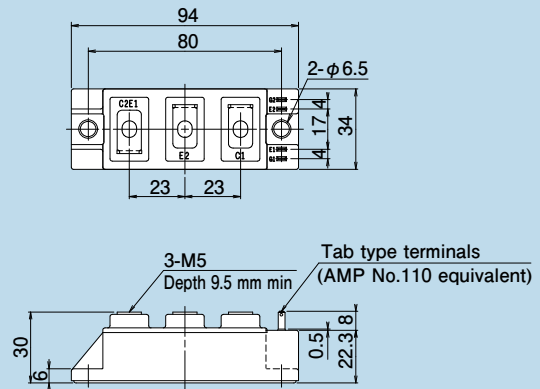
M260



M262



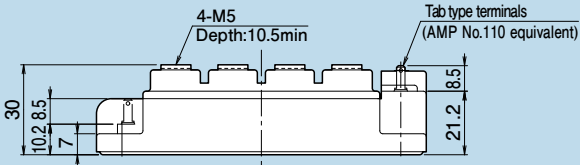
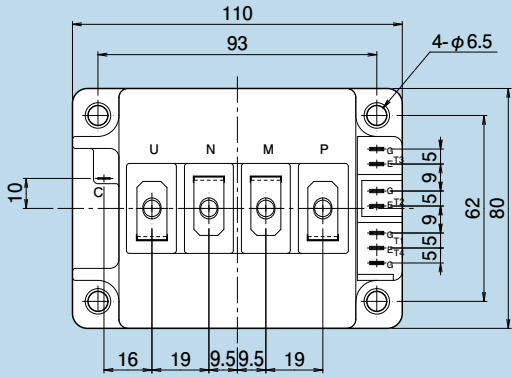
M263



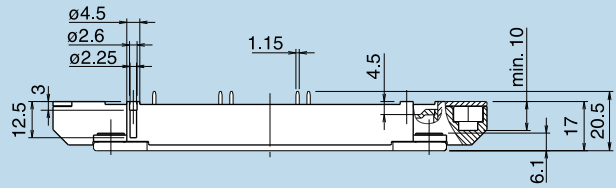
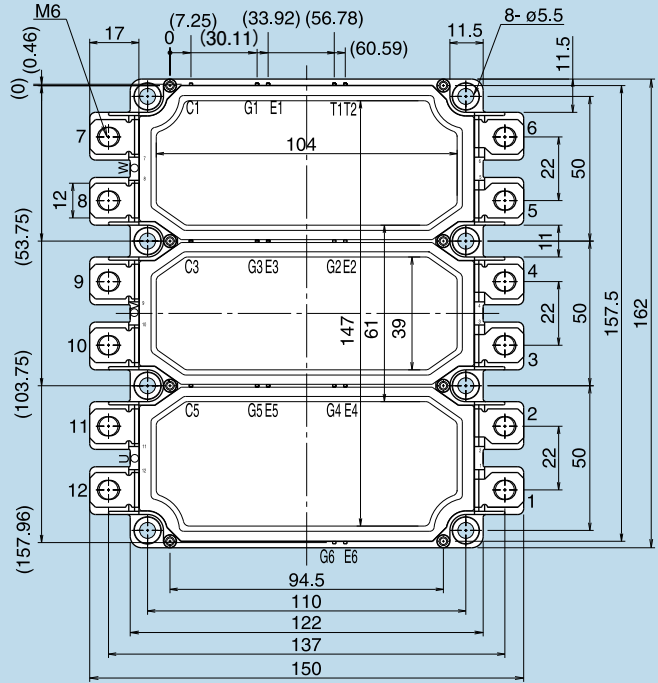
外形图/Dimensions

mm

M403

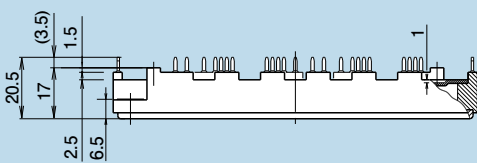
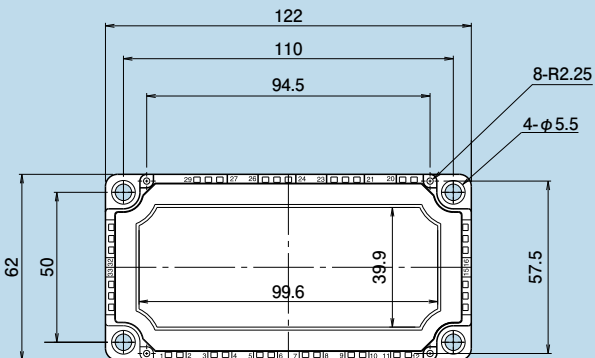


M629

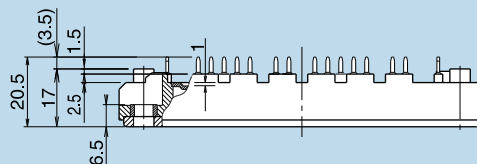
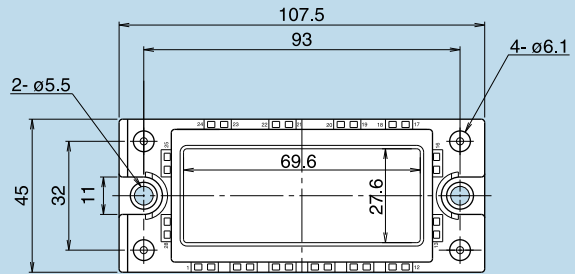


() : Theoretical dimensions, tolerance ± 0.5

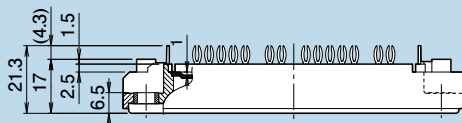
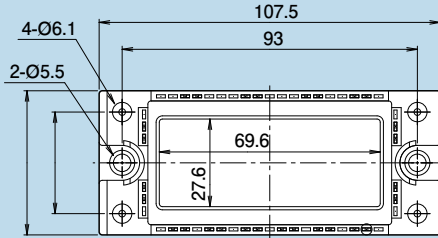
M633



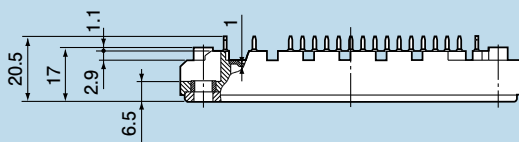
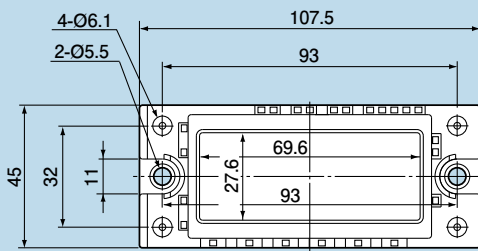
M636



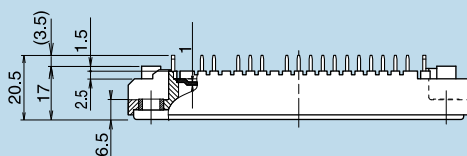
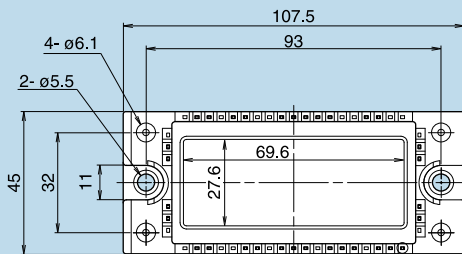
M647



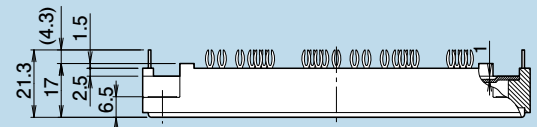
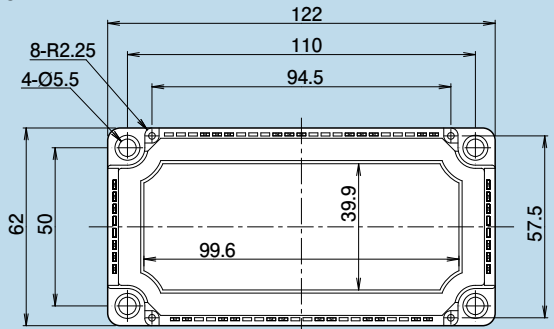
M711



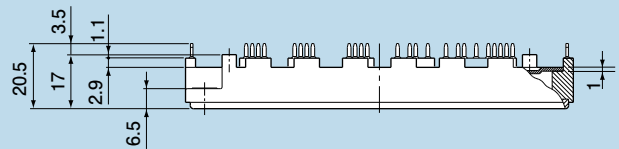
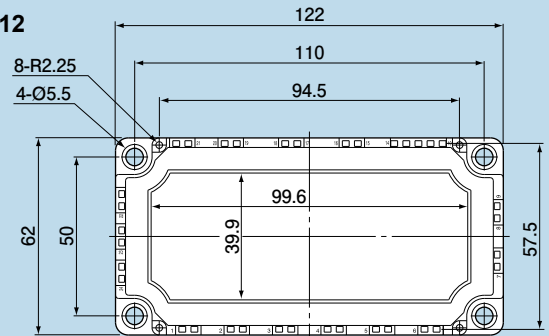
M719



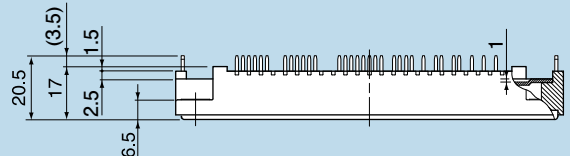
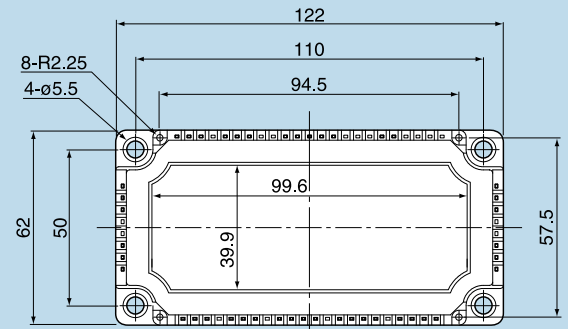
M648



M712



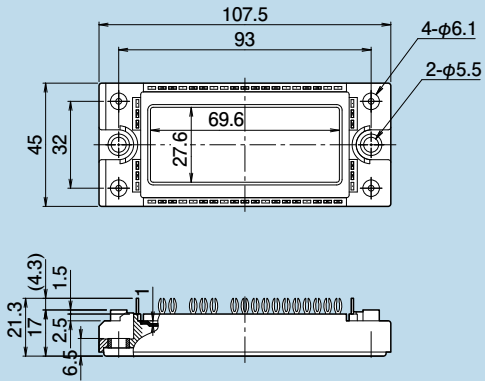
M720



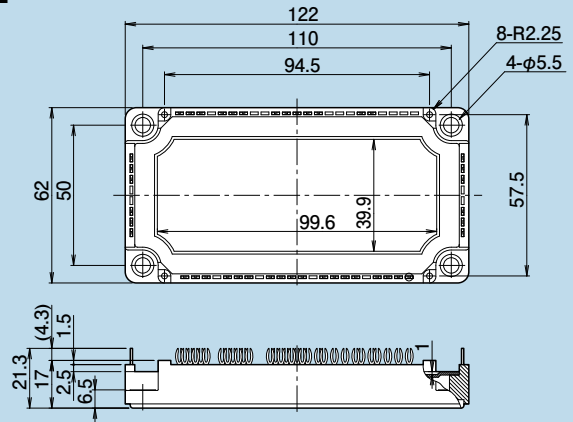
外形图/Dimensions

mm

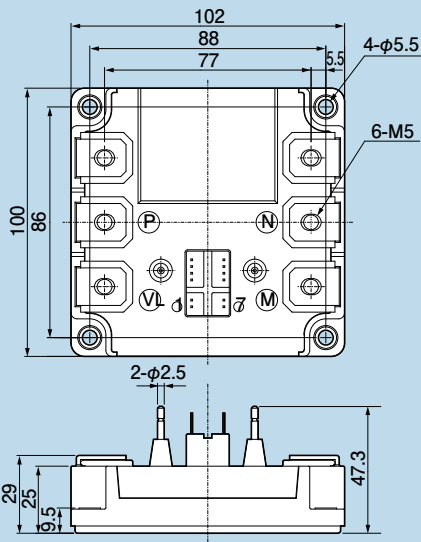
M721



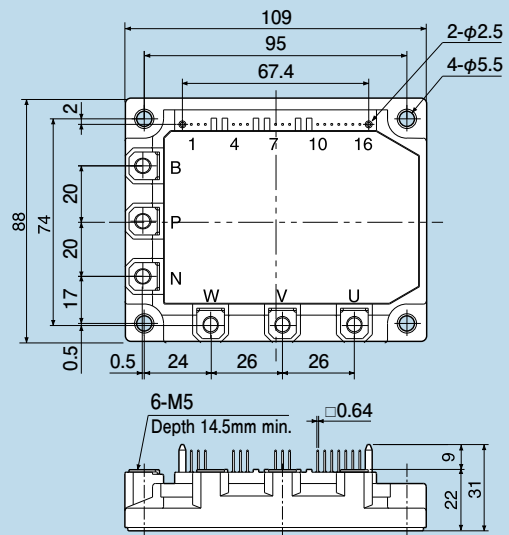
M722



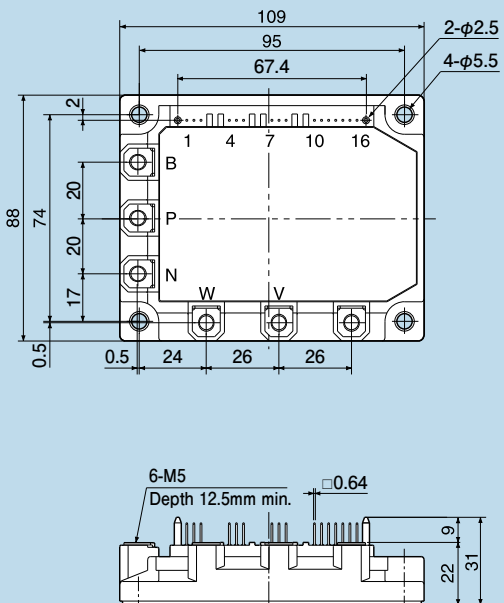
P401



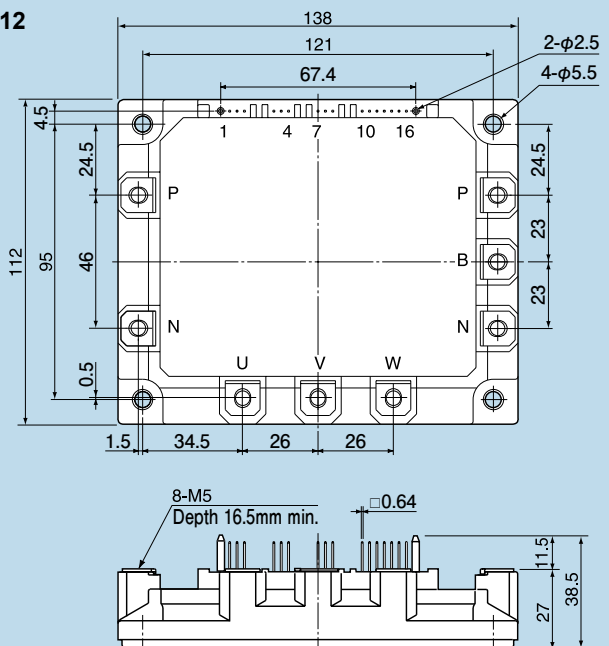
P610



P611

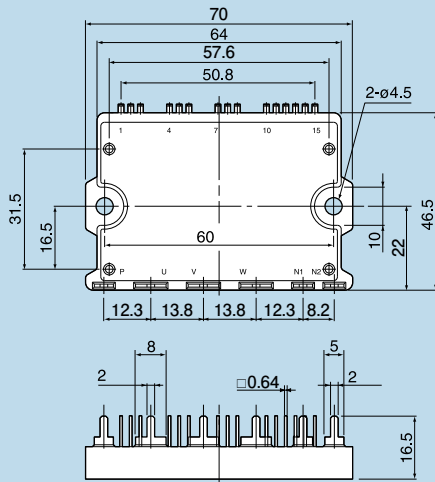


P612

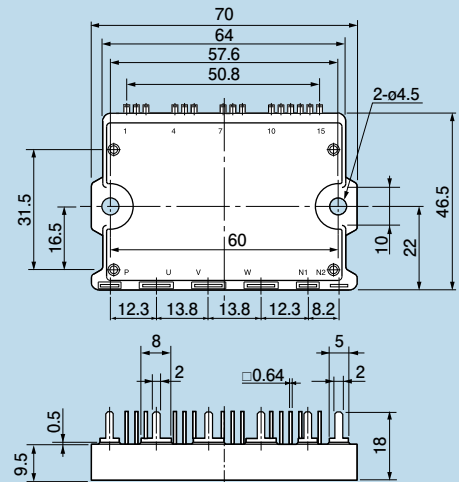


mm

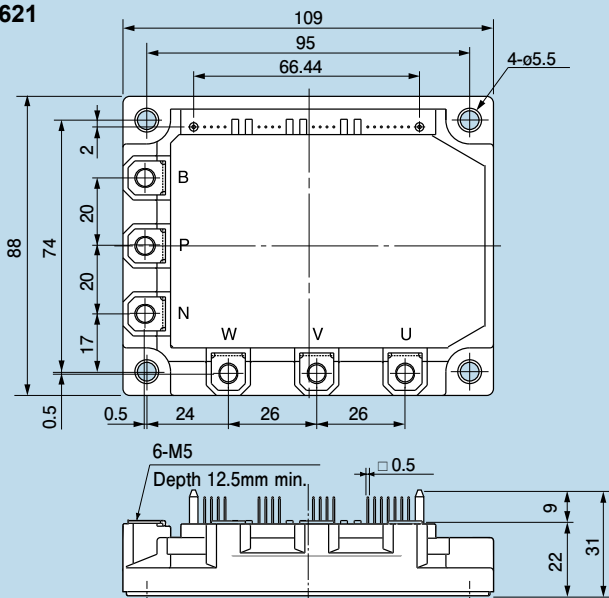
P617



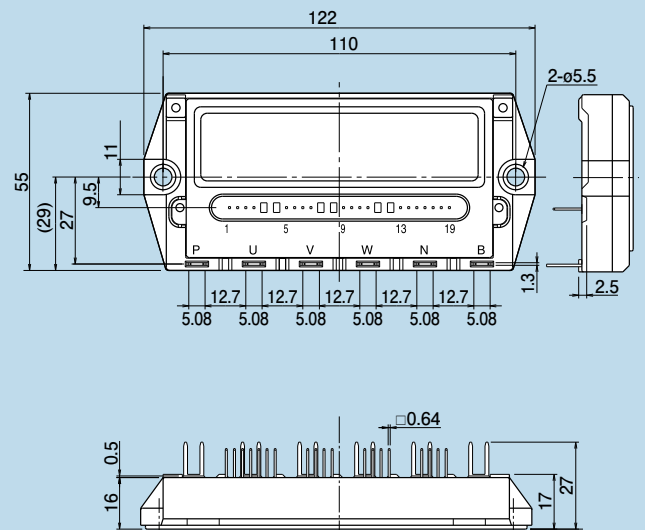
P619



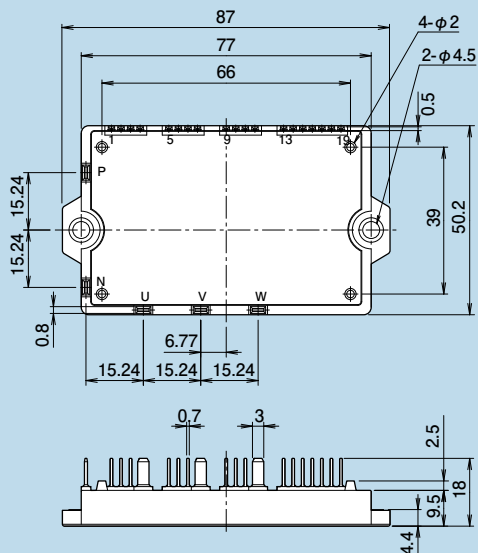
P621



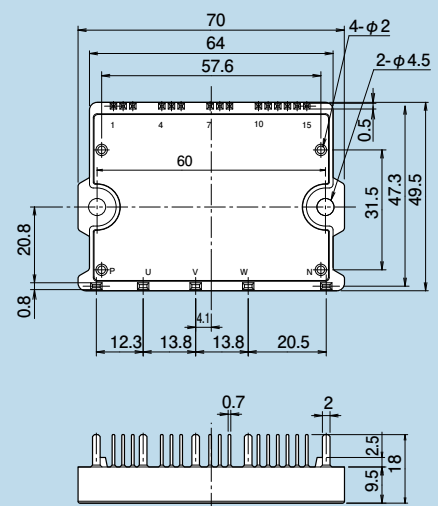
P622



P626



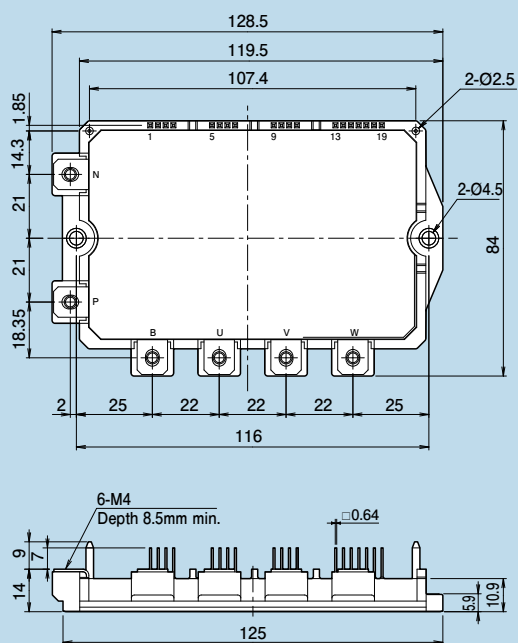
P629



外形图/Dimensions

mm

P630



P631

