

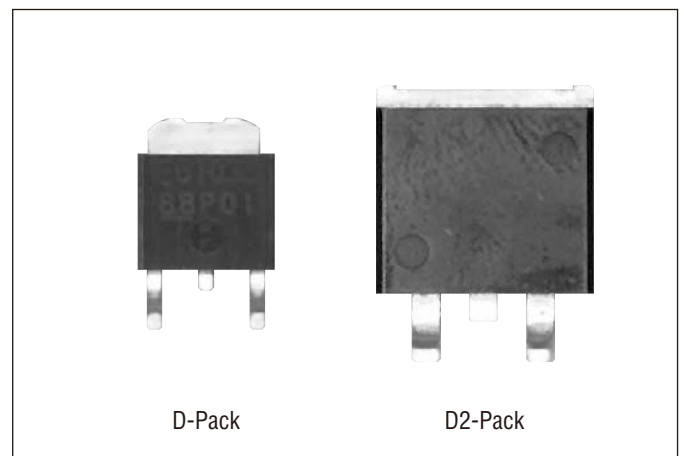
点火用イグナイタ IGBT

Ignition IGBT

Power Electronics Solution ～環境・安全・快適性に貢献～
Power Electronics Solution - Contributing to Environment, Safety and Comfort -

■特長 Features

- 小型 SMD パッケージ : D-Pack、D2-Pack
- 高耐圧 : $V_{CES} = 410[V]$
- 低飽和電圧 : $V_{CE(sat)} = 1.3[V]$ @ $I_c = 5[A]$ (D-Pack)
: $V_{CE(sat)} = 1.3[V]$ @ $I_c = 12[A]$ (D2-Pack)
- ゲート5V 駆動対応
- 高サージ耐量 : CG間ZD、GE間ZD内蔵
- 2010年量産予定
- Small SMD-Package : D-Pack, D2-Pack
- High-Voltage : $V_{CES} = 410[V]$
- Low Saturation Voltage : $V_{CE(sat)} = 1.3V$ @ $I_c = 5[A]$ (D-Pack)
: $V_{CE(sat)} = 1.3V$ @ $I_c = 12[A]$ (D2-Pack)
- Gate-Emitter Continuous Voltage : $5[V]$
- Collector-Emitter, Gate-Emitter ESD Protection
- MP starting from 2010



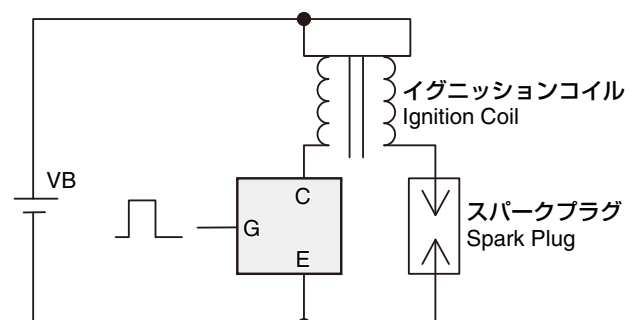
■用途 Applications

- 点火用イグナイタ、汎用エンジン 等
- Ignition Systems

■仕様 Specifications

V_{CES}	410[V]
I_{ces}	0.05[μA]
V_{GEO}	6.5[V]
R_{GE}	20[k Ω]
-VCE	30[V]
$V_{GE(th)}$	2[V]
$V_{CE(sat)}$	1.3[V] @ $I_c = 5[A]$ (D-Pack) @ $I_c = 12[A]$ (D2-Pack)
SW(OFF)	12[μs]
ESB	180[mJ], 230[mJ]

● Applications



● Symbol

