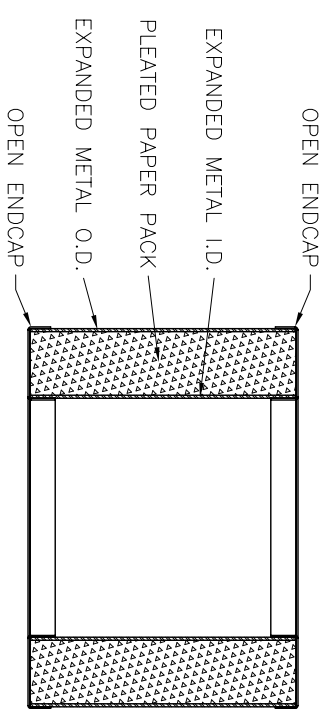
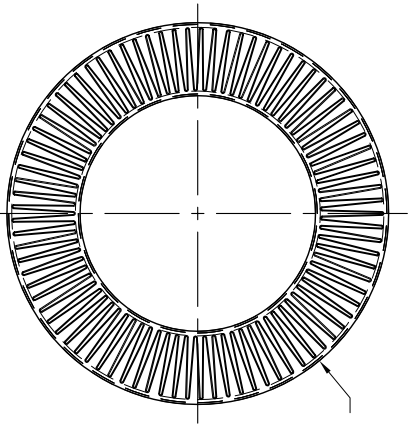
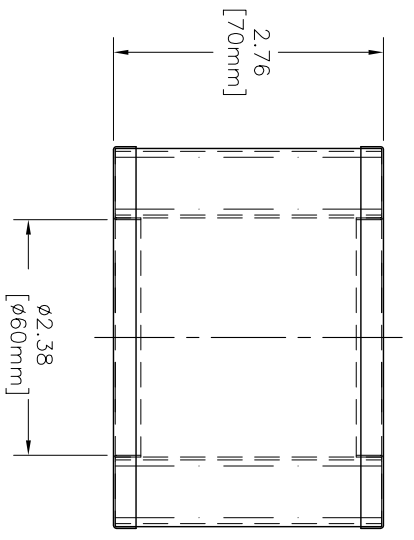


ZONE	REV	DESCRIPTION	ECN #	CHG BY	DATE	APP'D

REVISIONS

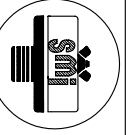


SECTION VIEW



REPLACEMENT ELEMENT#	VF031A-E
MATERIAL	PAPER
CFM FLOW	55
SURFACE AREA	1.7 SQ. FT.
I.D.	SEE DRAWING
O.D.	SEE DRAWING
HEIGHT	SEE DRAWING

The information contained herein is confidential and the information is not to be disclosed to any other party without the express written consent of Solberg Manufacturing, Inc. If you are a customer of Solberg Manufacturing, Inc. and you have returned this information to Solberg Manufacturing, Inc. you agree to hold Solberg Manufacturing, Inc. harmless from any and all claims, damages, costs, expenses, attorney's fees, and any other costs, which may be incurred by Solberg Manufacturing, Inc. as a result of your disclosure of this information to any other party. Solberg Manufacturing, Inc. reserves the right to modify this information at any time without notice. Solberg Manufacturing, Inc. is not responsible for any information that may be necessary to uphold these restrictions.



SOLBERG MANUFACTURING, INC.
1151 W. ARDMORE AVE.
ITASCA, IL 60143
630/773-1363

DESCRIPTION:
FUJI PART #VF031A-E

UNLESS OTHERWISE SPECIFIED:
DIMENSIONS ARE IN INCHES
-TOLERANCES ARE:
DECIMALS .XX ±.25
FRACTIONS XXX ±.125
ANGLES ±.2°

SALES REP.: C. SOLBERG
APPROVALS: [Signature] DATE: 04/09/05
DRAWN: CNW
APPROVED: [Signature]

SHEET: 1 OF 1 SHEET SCALE: 1:1
DRAWING NUMBER: SD11832
REV: —

