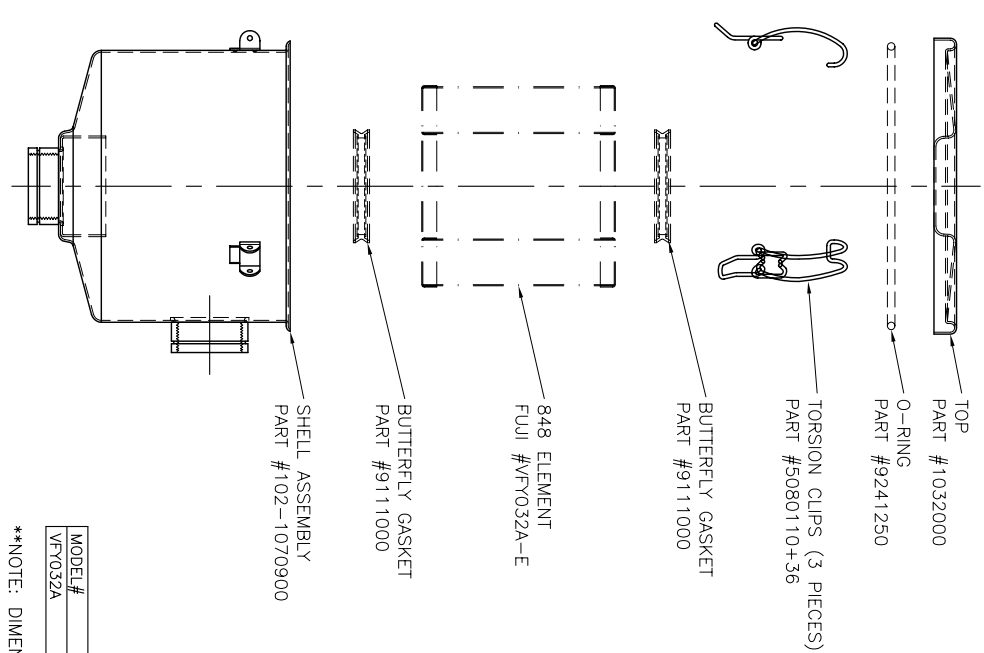
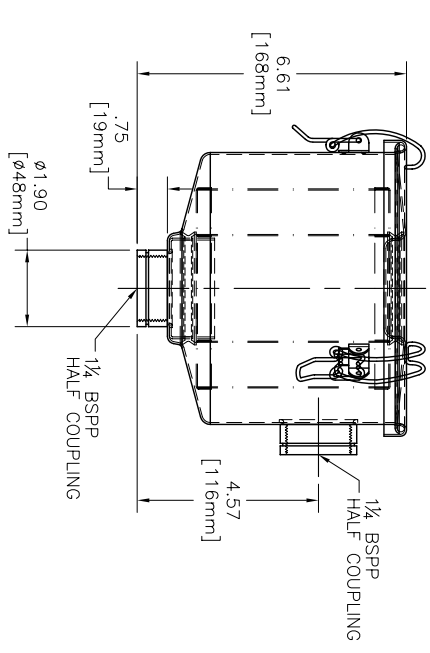
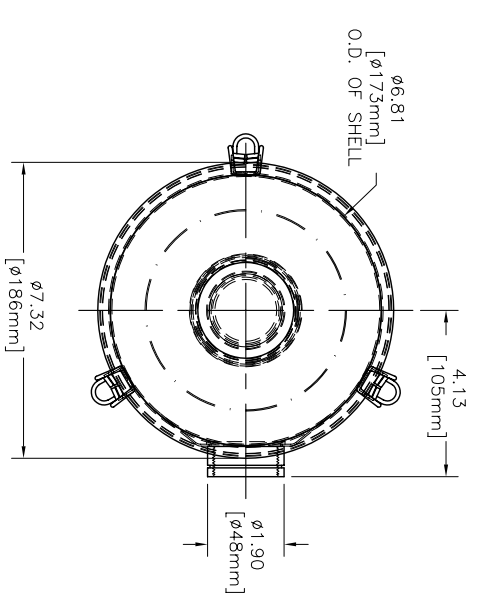


ZONE	REV	DESCRIPTION	ECN #	CHG BY	DATE	APP'D

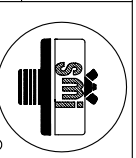
REVISONS	ECN #	CHG BY	DATE	APP'D



\*\*NOTE: DIMENSIONS TO MATCH FUJI 1994 DRAWINGS.

MODEL#	VFY032A	HOUSING MATERIAL	CARBON STEEL	FINISH	BAKED ENAMEL GREY
--------	---------	------------------	--------------	--------	-------------------

The information contained herein is confidential and the information is provided to you with the expressed understanding that it will not be disclosed to others without the express written consent of Solberg Manufacturing Inc. If you are a customer of Solberg Manufacturing Inc. and you have returned upon request to Solberg Manufacturing Inc. the information contained herein, you agree to hold Solberg Manufacturing Inc. harmless from any claims, damages, or other restrictions which may apply to this information. Solberg Manufacturing Inc. reserves the right to modify this information without notice and without liability. Solberg Manufacturing Inc. has exclusive jurisdiction over any prosecution that may be necessary to uphold these restrictions.



SOLEBERG MANUFACTURING INC.  
1151 W. ARDMORE AVE.  
ITASCA, IL 60143  
630/773-1363  
FUJI PART #VFY032A

UNLESS OTHERWISE SPECIFIED:  
DIMENSIONS ARE IN INCHES  
-TOLERANCES ARE:  
-REF: APPROXIMATE DIMENSIONS, NO TOLERANCES APPLY

DECMAS	XX ±.25
ANGLES	3±°

SALES REP.: E. NISTROW	DATE	01/06/00
APPROVALS	DRAWN: P.E.	APPROVED: JMB
SHEET: 1 of 1	SHEET: 1 of 1	SCALE: 1:2
DRAWING NUMBER: SD11932	REV: —	

