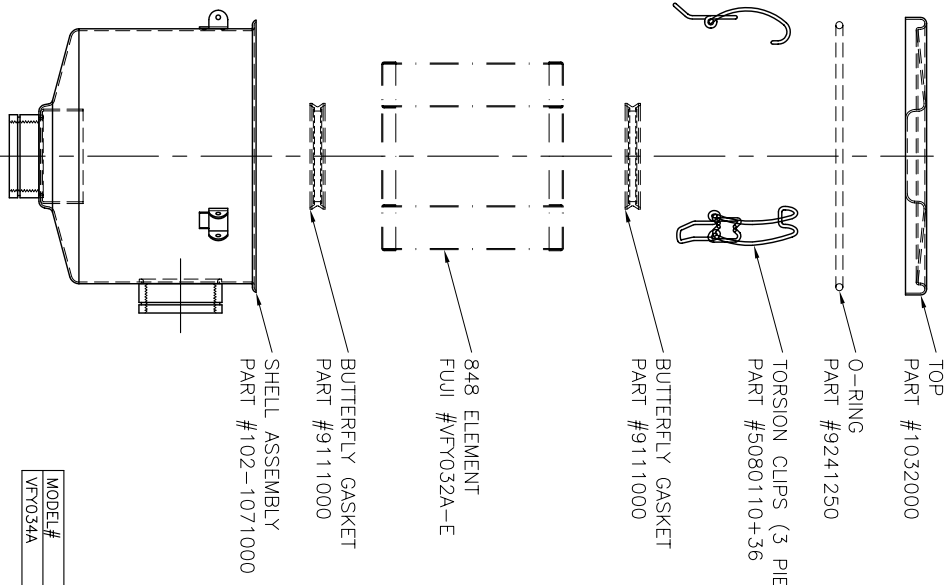
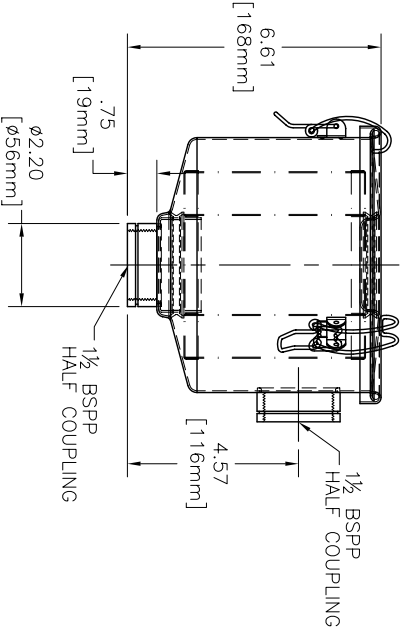
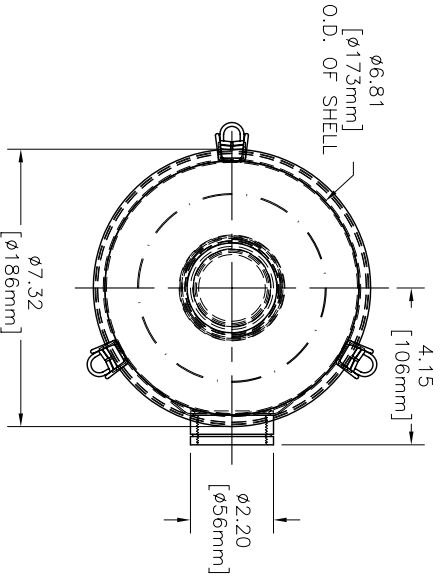


ZONE	REV	DESCRIPTION	ECN #	CHG BY	DATE	APP'D

REVISONS	ECN #	CHG BY	DATE	APP'D



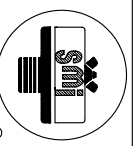
**NOTE: DIMENSIONS TO MATCH FUJI 1994 DRAWINGS.

MODEL #	VFY034A	HOUSING MATERIAL	CARBON STEEL	FINISH	BAKED ENAMEL GREY
---------	---------	------------------	--------------	--------	-------------------

The information contained herein is confidential and the use of it without the expressed understanding that it will not be disclosed to others, either in part or in full, for any purpose other than that for which it was furnished upon request to Solberg Manufacturing Inc. The use of this information for any other purpose, in any form, without the express written consent of Solberg Manufacturing Inc. is prohibited. Solberg Manufacturing Inc. reserves the right to change specifications without notice and without obligation. Solberg Manufacturing Inc. is not responsible for any damage or injury resulting from the use of this information without the express written consent of Solberg Manufacturing Inc.

UNLESS OTHERWISE SPECIFIED:
DIMENSIONS ARE IN INCHES
-TOLERANCES ARE:
-REF: APPROXIMATE DIMENSIONS, NO TOLERANCES APPLY

ANGLES	±2°
DECIMALS	XX ±.25 XXX ±.125



SOLBERG MANUFACTURING INC.
1151 W. ARDMORE AVE.
ITASCA, IL 60143
630/773-1363
DESCRIPTION:
FUJI PART #VFY034A

SALES REP: E. NISTROW	DATE	SHEET 1 OF 1	SHEET 1 OF 1	SCALE: 1:2
APPROVALS	04/07/03	DRAWING NUMBER: SD11933	REV: —	
DRAWN: CRW	APPROVED: E.N.			
	04/14/03			

A

B

C

D

A

B

C

D

4

3

2

1