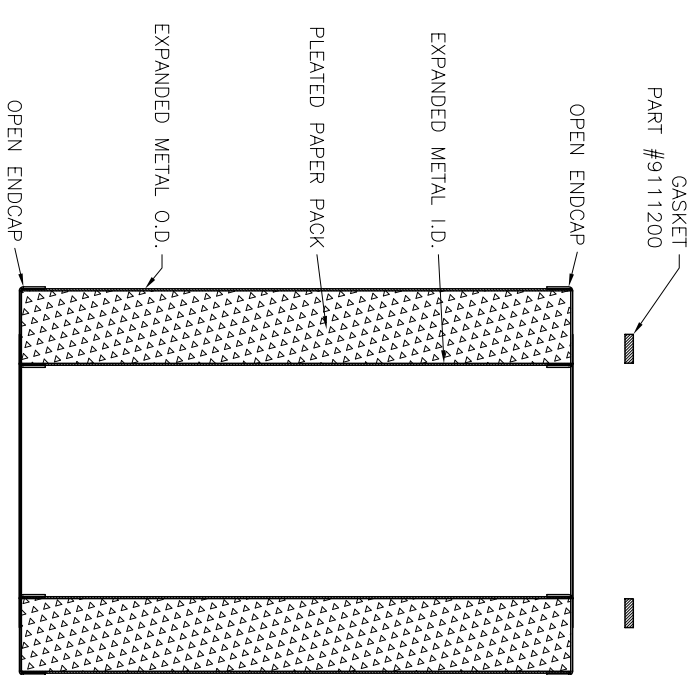
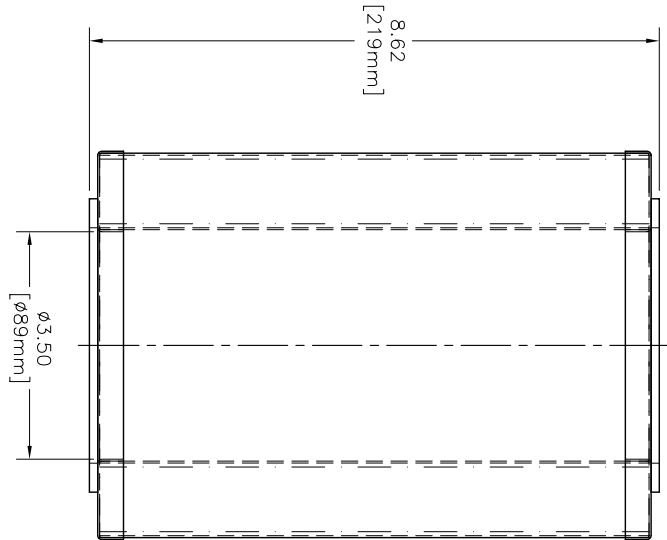
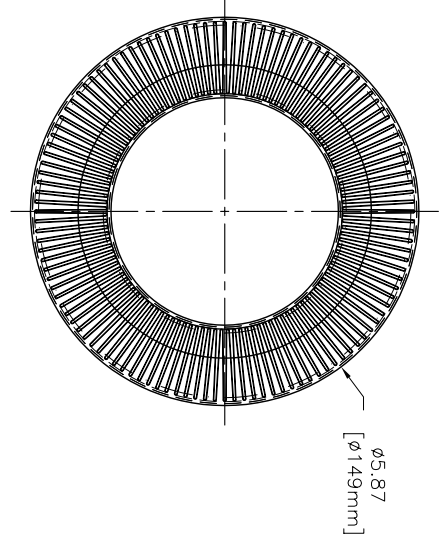


ZONE	REV	DESCRIPTION	ECN #	CHG BY	DATE	APP'D

REVISIONS	ECN #	CHG BY	DATE	APP'D

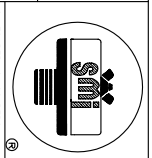


SECTION VIEW
 GASKET
 OPEN ENDCAP
 EXPANDED METAL O.D.
 PLEATED PAPER PACK
 EXPANDED METAL I.D.
 OPEN ENDCAP
 GASKET
 PART #9111200

REPLACEMENT ELEMENT#	VP036A-E
MATERIAL	PAPER
CFM FLOW	290
SURFACE AREA	14 SQ. FT.
I.D.	SEE DRAWING
O.D.	SEE DRAWING
HEIGHT	SEE DRAWING

The information contained herein is confidential and the information is not to be disclosed to any other person without the express written consent of Solberg Manufacturing, Inc. If you have any questions regarding this information, please contact your account manager. This information is provided for your reference only and does not constitute an offer or any other financial product. Solberg Manufacturing, Inc. is not responsible for any errors or omissions in this information. Solberg Manufacturing, Inc. reserves the right to change this information without notice. Solberg Manufacturing, Inc. is not responsible for any damages, including consequential damages, arising from the use of this information. Solberg Manufacturing, Inc. is not responsible for any damages, including consequential damages, arising from the use of this information. Solberg Manufacturing, Inc. is not responsible for any damages, including consequential damages, arising from the use of this information.

UNLESS OTHERWISE SPECIFIED:
 DIMENSIONS ARE IN INCHES
 DECIMALS: XX .X .25
 FRACTIONS: XXX 1/16
 ANGLES: ±.2°
 TOLERANCES ARE:
 -REF: APPROXIMATE DIMENSIONS, NO TOLERANCES APPLY
 CUSTOMER APPROVAL: _____



SOLEBERG MANUFACTURING, INC.
 1151 W. ARDMORE AVE.
 ITASCA, IL 60143
 630/773-1363
 DESCRIPTION:
 FUJI PART #VFY036A-E

SALES REP.: C. SOLBERG	DATE	SHEET	SCALE: 1:1.5
APPROVALS	04/09/05	OF 1	
DRAWN: CNW		SHEET	REV: —
APPROVED:		DRAWING NUMBER:	
		SD11834	

