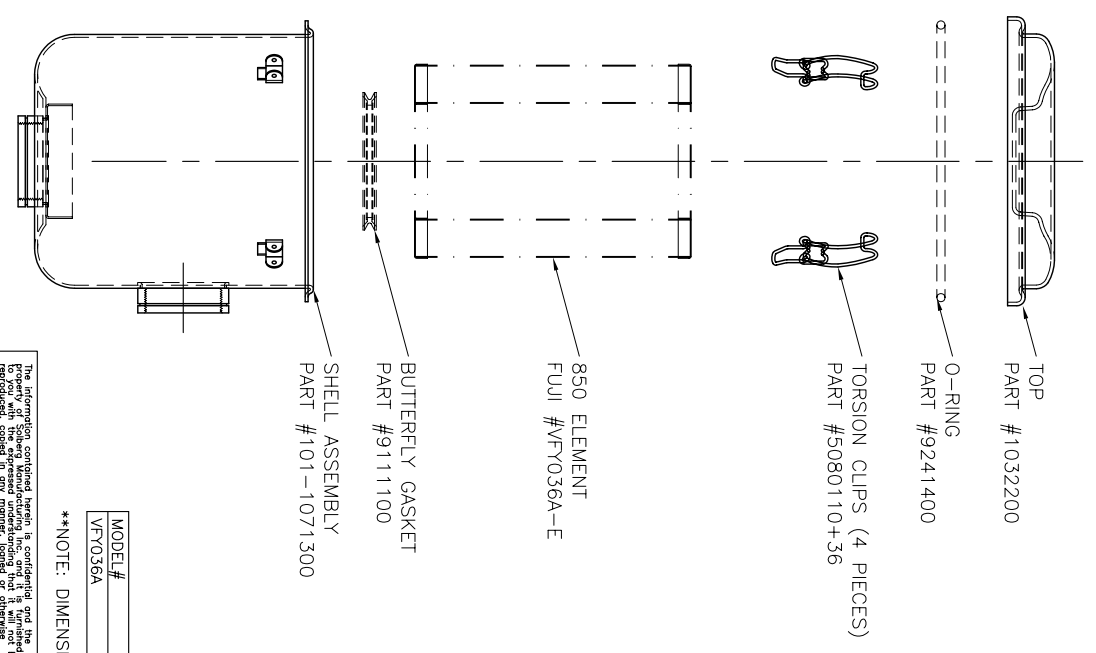
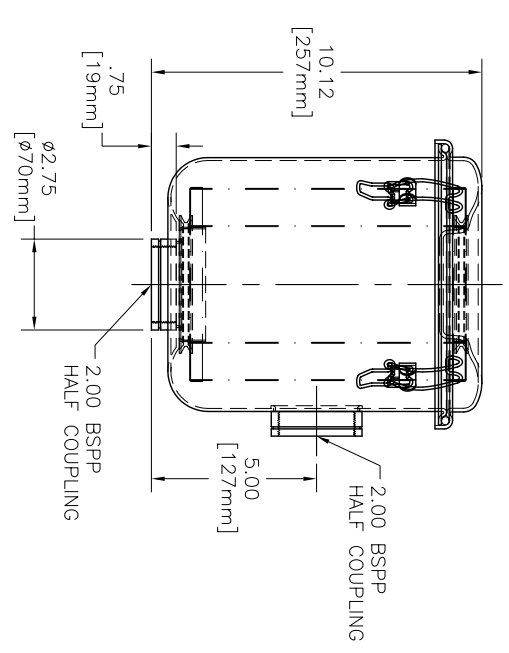
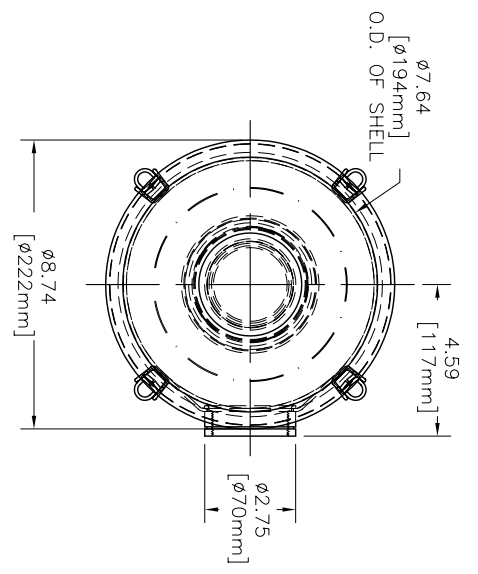


ZONE	REV	DESCRIPTION	REVISIONS	ECN #	CHG BY	DATE	APP'D



MODEL #	VFY036A	HOUSING MATERIAL	CARBON STEEL	FINISH	BAKED ENAMEL GREY
---------	---------	------------------	--------------	--------	-------------------

\*\*NOTE: DIMENSIONS TO MATCH FUJI 1994 DRAWINGS.

The information contained herein is confidential and the information is provided to you with the expressed understanding that it will not be disclosed to others without the express written consent of Solberg Manufacturing, Inc. The information is provided to you for your use only and is not to be used for any other purpose. Solberg Manufacturing, Inc. reserves the right to change the design, specifications, dimensions, materials, and other information without notice. The information is provided to you as a guide only and is not to be used as a basis for any other design or construction. Solberg Manufacturing, Inc. is not responsible for any damage or injury resulting from the use of this information. Solberg Manufacturing, Inc. is not responsible for any damage or injury resulting from the use of this information.

UNLESS OTHERWISE SPECIFIED:  
DIMENSIONS ARE IN INCHES  
TOLERANCES ARE:  
-REF: APPROXIMATE DIMENSIONS, NO TOLERANCES APPLY  
-TOLERANCES ARE:  
ANGLES .3Z

SOLEBERG MANUFACTURING INC.  
1151 W. ARDMORE AVE.  
ITASCA, IL 60143  
630/773-1363

DESCRIPTION:  
FUJI PART #VFY036A

SALES REP.: E. NISTROM  
APPROVALS: DATE 12/7/99  
DRAWN: P.E. APPROVED: JMB 12/22/99

SHEET: 1 OF 1 SHEET SCALE: 1:2  
DRAWING NUMBER: SD11934 REV: —

