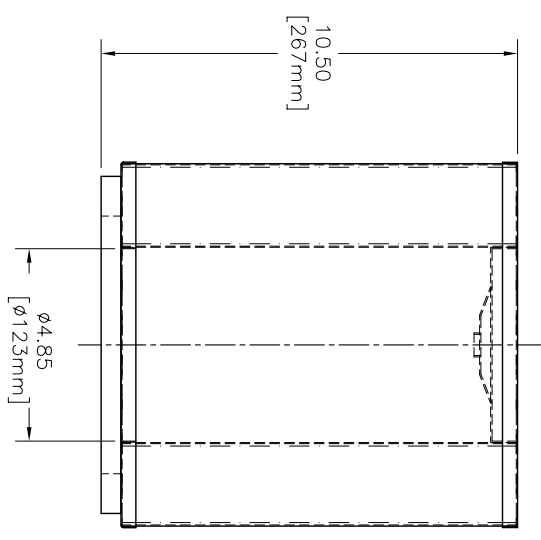
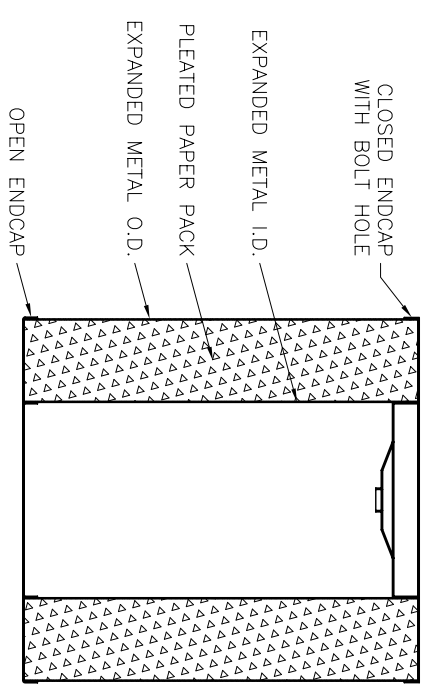
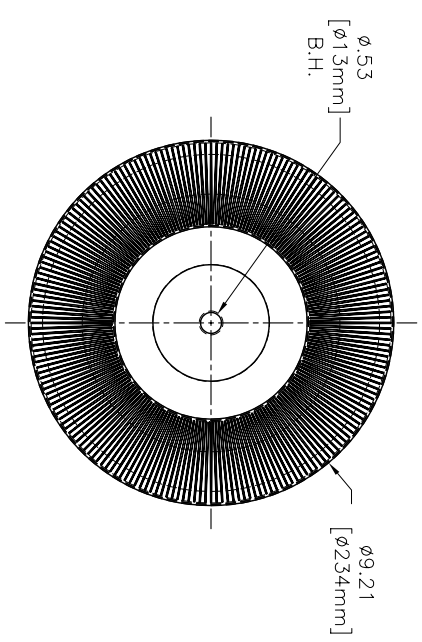


ZONE	REV	DESCRIPTION	ECN #	CHG BY	DATE	APP'D

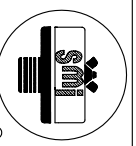
REV	DESCRIPTION	ECN #	CHG BY	DATE	APP'D



SECTION VIEW

REPLACEMENT ELEMENT#	VF039A-E
MATERIAL	PAPER
CFW FLOW	750
SURFACE AREA	30 SQ. FT.
I.D.	SEE DRAWING
O.D.	SEE DRAWING
HEIGHT	SEE DRAWING

The information contained herein is confidential and the use of this information is restricted to the use intended to you with the expressed understanding that it will not be transferred to other entities or its part, nor used for any other purpose without the express written consent of Solberg Manufacturing, Inc. The information contained herein is the property of Solberg Manufacturing, Inc. and is not to be used, copied, or disseminated in any form or by any means, electronic or mechanical, including photocopying, recording, or by any information storage and retrieval system, without the prior written permission of Solberg Manufacturing, Inc. The information contained herein is the property of Solberg Manufacturing, Inc. and is not to be used, copied, or disseminated in any form or by any means, electronic or mechanical, including photocopying, recording, or by any information storage and retrieval system, without the prior written permission of Solberg Manufacturing, Inc.



SOLEBERG MANUFACTURING, INC.
1151 W. ARDMORE AVE.
ITASCA, IL 60143
630/773-1363

UNLESS OTHERWISE SPECIFIED:
DIMENSIONS ARE IN INCHES
-TOLERANCES ARE:
DECIMALS .XX ±.25
FRACTIONS 1/16 ±.015
ANGLES ±.2°

SALES REP.: CSOLBERG
APPROVALS: [Signature]
DATE: 04/09/05
DRAWN: CMW
APPROVED: [Signature]

DESCRIPTION: FUJI PART #VF039A-E
SHEET: 1 of 1
DRAWING NUMBER: SD11836
SCALE: 1:2.5
REV: —

