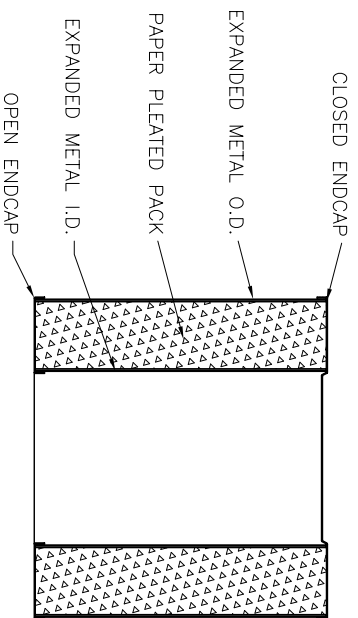
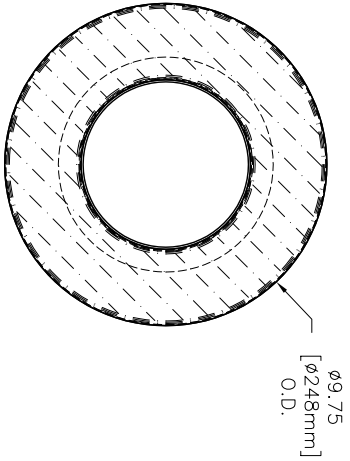
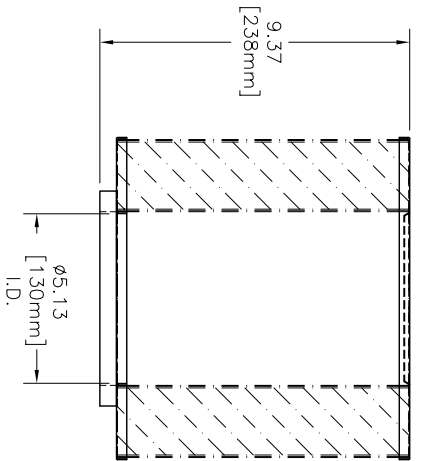


ZONE	REV	DESCRIPTION	REVISIONS	ECN #	CHG BY	DATE	APP'D

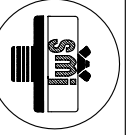


SECTION VIEW

REPLACEMENT ELEMENT#	VF039Z-E
MATERIAL	PAPER
CFM FLOW	800
SURFACE AREA	32 SQ. FT.
I.D.	5.125"
O.D.	9.75"
HEIGHT	0.87"



The information contained herein is confidential and the information is not to be disclosed to any other party without the express written consent of Solberg Manufacturing, Inc. If you are a customer of Solberg Manufacturing, Inc. and you have returned this information to Solberg Manufacturing, Inc. you agree to hold Solberg Manufacturing, Inc. harmless from any and all claims, damages, costs, expenses, attorney's fees, and any other restrictions which may apply to this information. Solberg Manufacturing, Inc. reserves the right to modify this information without notice and without liability. Solberg Manufacturing, Inc. is not responsible for any information that may be necessary to uphold these restrictions.



SOLEBERG MANUFACTURING, INC.
1151 W. ARDMORE AVE.
ITASCA, IL 60143
630/773-1363

UNLESS OTHERWISE SPECIFIED:
DIMENSIONS ARE IN INCHES
-TOLERANCES ARE:
DECIMALS .XX ±.25
FRACTIONS XXX ±.125
ANGLES ±.2°

REPLACEMENT ELEMENT
DESCRIPTION: VF039Z-E
SHEET: 1 OF 1 SHEET
DRAWING NUMBER: SD11843
SCALE: NTS
REV: —

